

***Balt Adjustable Laptop  
Audio Visual Utility  
Cart - 89842***

Instruction Manual



*Provided by*

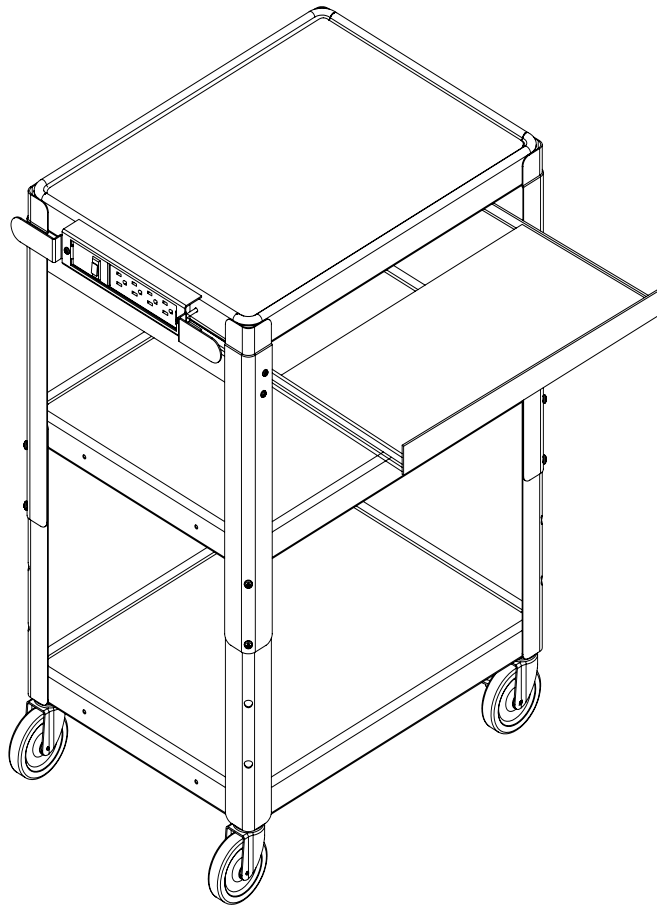
**MyBinding.com**  
*When Image Matters.*

Call Us at 1-800-944-4573



#89842

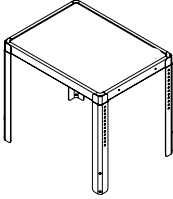


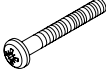








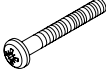








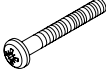






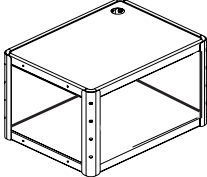
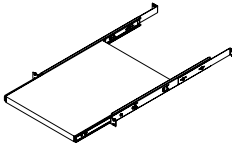
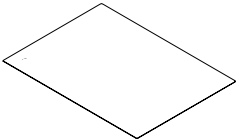
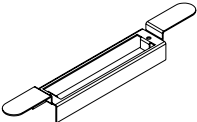
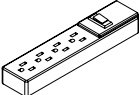
# Adjustable Height Utility Stand



## Assembly Instructions

# #89842

## Adjustable Height Utility Stand

Part	Drawing	Description	Qty	Part	Drawing	Description	Qty																																				
P1		Top Shelf	1 EA	<p style="text-align: center;"><b>Hardware List</b></p> <table border="0"> <tr> <td>A</td> <td></td> <td>Screw M6X12mm Pan Hd</td> <td>8 EA</td> </tr> <tr> <td>A1</td> <td></td> <td>Screw M3.5X12mm CS</td> <td>8 EA</td> </tr> <tr> <td>A2</td> <td></td> <td>Screw M5X45mm Pan Hd</td> <td>2 EA</td> </tr> <tr> <td>B</td> <td></td> <td>Hex nut M6</td> <td>8 EA</td> </tr> <tr> <td>B1</td> <td></td> <td>Hex nut M3.5</td> <td>8 EA</td> </tr> <tr> <td>B2</td> <td></td> <td>Hex nut M5 w/Flange</td> <td>2 EA</td> </tr> <tr> <td>C</td> <td></td> <td>Lock Washer Ext Tooth (For M6 Screw)</td> <td>8 EA</td> </tr> <tr> <td>D</td> <td></td> <td>4" Locking Caster</td> <td>2 EA</td> </tr> <tr> <td>E</td> <td></td> <td>4" Caster</td> <td>2 EA</td> </tr> </table>				A		Screw M6X12mm Pan Hd	8 EA	A1		Screw M3.5X12mm CS	8 EA	A2		Screw M5X45mm Pan Hd	2 EA	B		Hex nut M6	8 EA	B1		Hex nut M3.5	8 EA	B2		Hex nut M5 w/Flange	2 EA	C		Lock Washer Ext Tooth (For M6 Screw)	8 EA	D		4" Locking Caster	2 EA	E		4" Caster	2 EA
A		Screw M6X12mm Pan Hd	8 EA																																								
A1		Screw M3.5X12mm CS	8 EA																																								
A2		Screw M5X45mm Pan Hd	2 EA																																								
B		Hex nut M6	8 EA																																								
B1		Hex nut M3.5	8 EA																																								
B2		Hex nut M5 w/Flange	2 EA																																								
C		Lock Washer Ext Tooth (For M6 Screw)	8 EA																																								
D		4" Locking Caster	2 EA																																								
E		4" Caster	2 EA																																								
P2		Welded Base	1 EA																																								
P3		Pull-Out Shelf	1 EA																																								
P4		Rubber Mat	1 EA																																								
P5		Electrical Cord Winder	1 EA																																								
P6		Electrical Outlet	1 EA																																								

### Missing Parts or UPS Damaged Parts

For Your Convenience you can  
EMAIL us at  
**[furniture@baltinc.com](mailto:furniture@baltinc.com)**  
24HOURS 7 DAYS A WEEK

***Should you require assistance during assembly,  
please call our Customer Service Department  
Monday - Friday 8 a.m. - 5 p.m.  
Central Standard Time 1-800-749-2258***

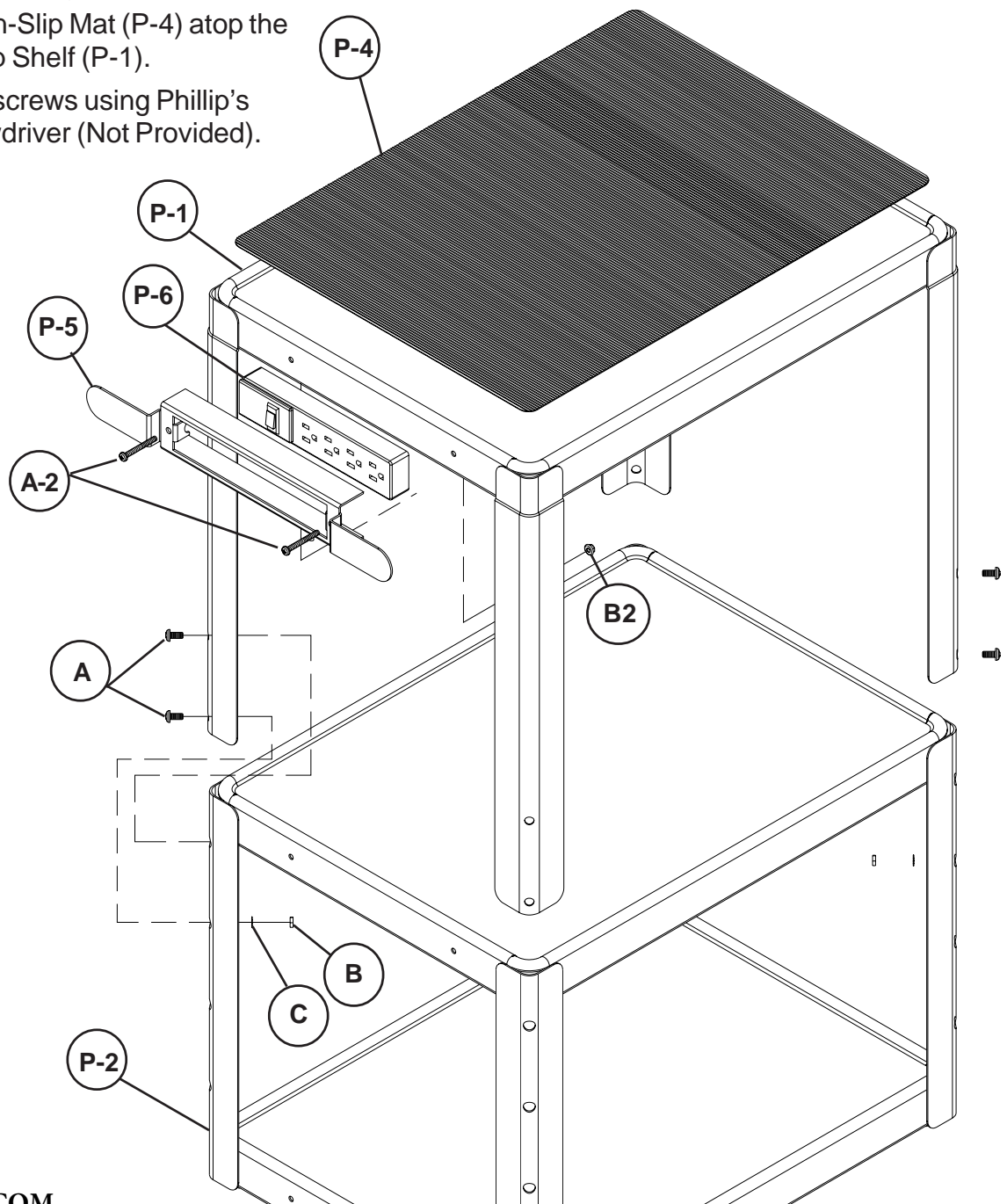
Do not use unless all screws are tight. At least every six months, check all screws to be sure they are tight. If parts are missing, broken, damaged, or worn, stop use of the product until repairs are made by your dealer using factory authorized parts.

# #89842 Assembly Diagram

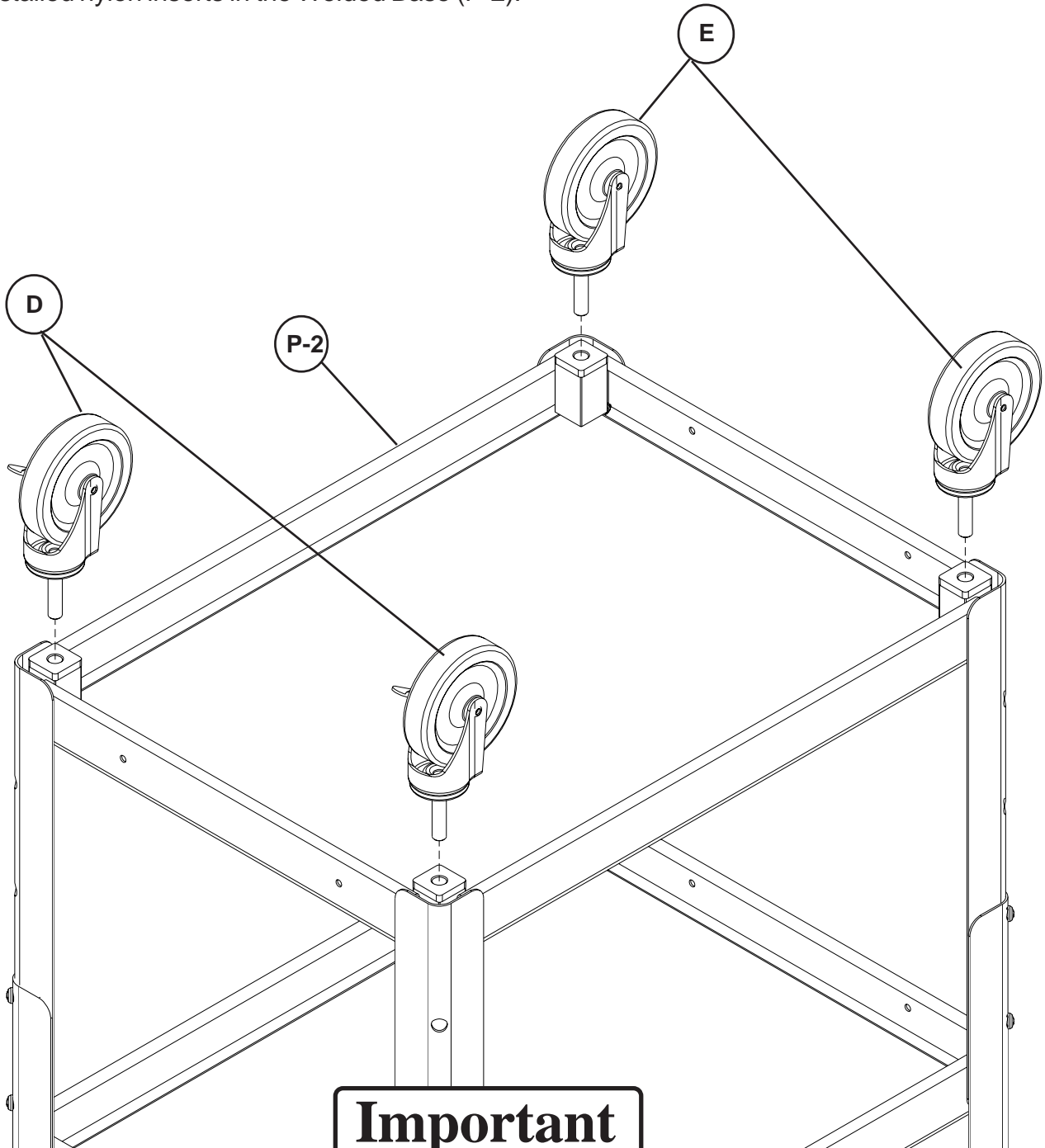
**READ THROUGH INSTRUCTIONS FROM BEGINNING TO  
END BEFORE STARTING TO ASSEMBLE UNIT.**

Illustration # 1

- 1.) Identify and Separate all the Parts
- 2.) Slide Welded Top Shelf (P-1) over the Welded Base (P-2) and secure at desired height using 8 Screws (A), 8 Lock Washers with Teeth (C), and 8 M6 Hex Nuts (B).
- 3.) Attach Cord Winder (P-5) and Electrical Strip (P-6) using 2 screws (A2) and two M5 Hex Nuts with Shoulder (B2).
- 4.) Lay the Non-Slip Mat (P-4) atop the Welded Top Shelf (P-1).
- 5.) Tighten all screws using Phillip's head screwdriver (Not Provided).



6.) Press in both locking and non-locking casters (D and E) into the factory installed nylon inserts in the Welded Base (P-2).



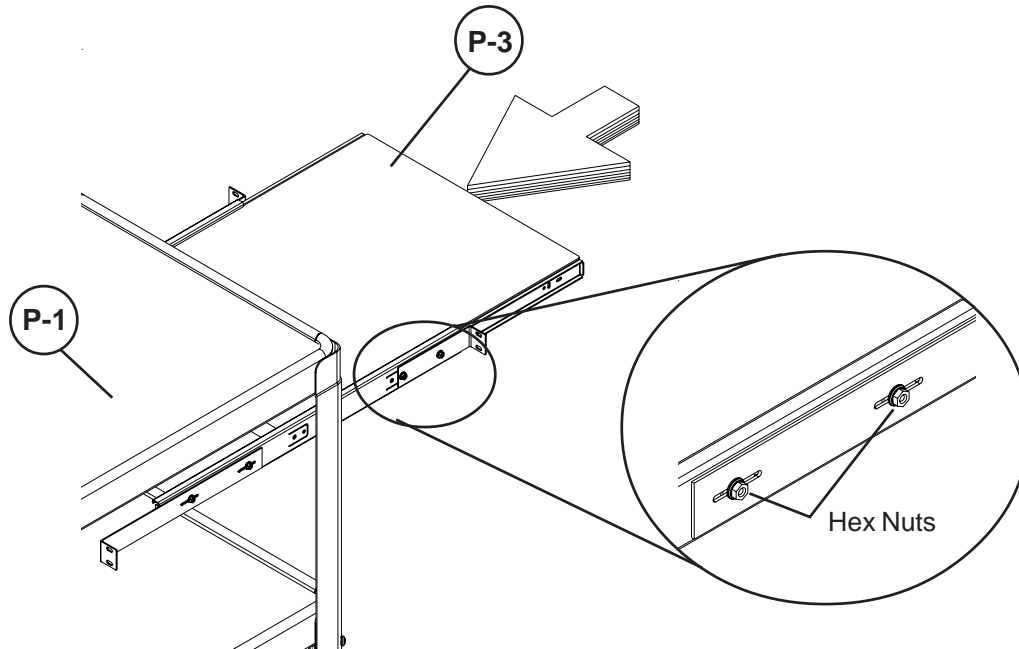
## Important

The Balt product you have purchased is guaranteed against material and workmanship defects. This guarantee extends 1 year from date of purchase. Should this product fail to function satisfactorily under normal use due to defect or imperfection, the defective part or product will be replaced. Damage caused by common carriers during shipment is not included in this guarantee.

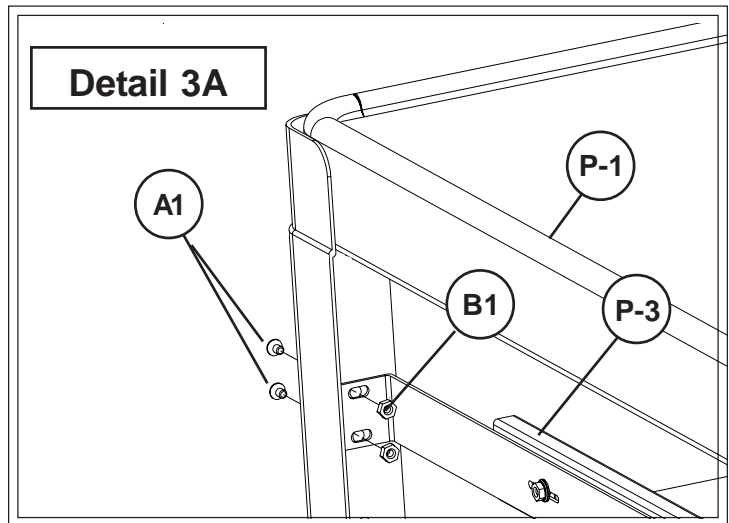
**This guarantee sets forth all applicable guarantees and remedies. No other warranty, expressed or implied shall apply. Failure to follow instructions found in Important Information Section of Owner Sheet shall void the guarantee. Consequential or incidental damages and or costs are not refundable.**

- 4.) Loosen the Hex Nuts on each side of the Pull-Out Shelf (P-3) and adjust the mounting brackets to fit on the inside vertical supports of Top Shelf (P-1).

**Illustration # 3**



- 5.) Tilt the Pullout Shelf (P-3) and slide it in the cart. Attach Pullout Shelf (P-3) to Top Shelf (P-1) using 8 screws (A1) and 8 Hex Nuts (B1) as shown in Detail 3A.



**Should you require assistance during assembly,  
please call our Customer Service  
Department Monday - Friday  
8 a.m. - 5 p.m.  
Central Standard Time  
1-800-749-2258**

89842-05/25/10