

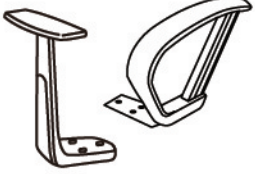
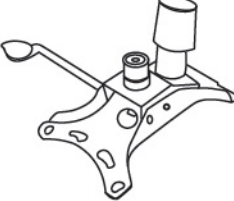
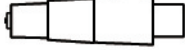





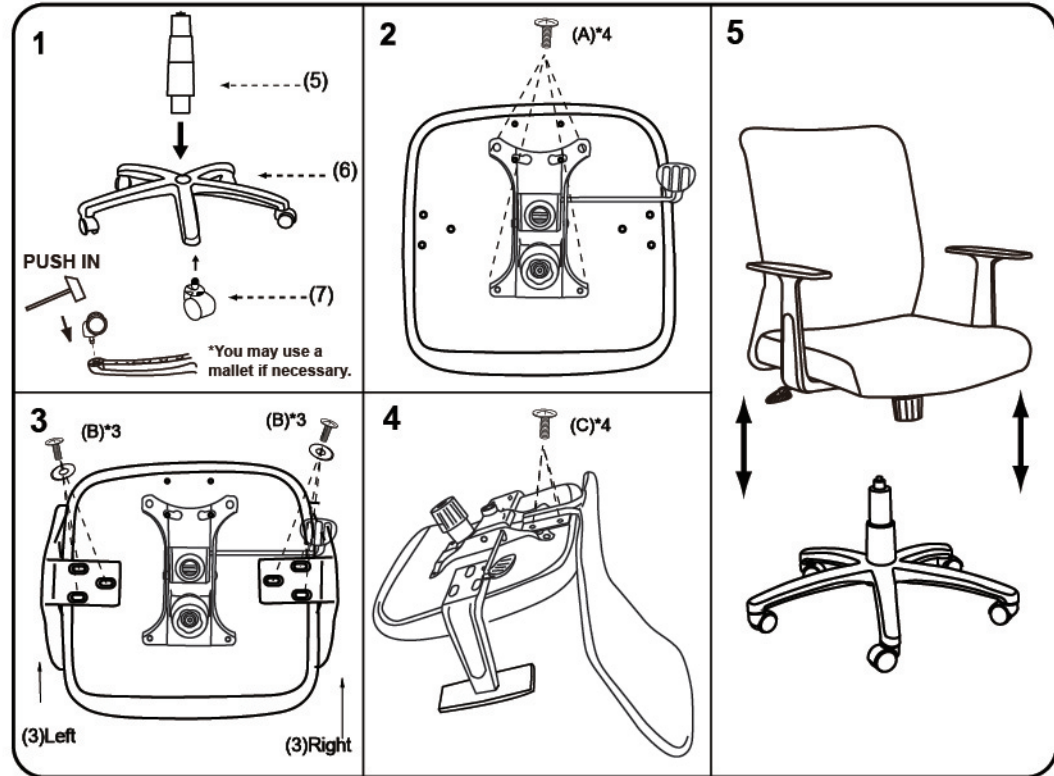


**IMPORTANT NOTICE:  
HARDWARE PACKAGE IS ATTACHED  
ON THE BOTTOM OF SEAT CUSHION.**

MODEL: B6105 B6106 B6107

(1)x1  Back Cushion	(2)x1  Seat Cushion	(3)x1 (L)x1 (R)  Left- Arm Right- Arm
(4)x 1  Mechanism	(5)x1  Gas Lift	(6)x1  Nylon Base
(7)x 5  Casters		
(A)x4  M8*22 MECHANISM SCREW	(B)x6  M6*30 ARM SCREW	(C)x4  M8*25 L-BAR SCREW



**Insert and loosely tighten all screws. When assembly is completed, fully tighten all screws before using. This chair is only intended for sitting. Any other use will void the warranty.**

