
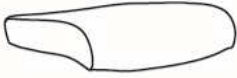
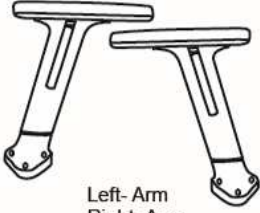
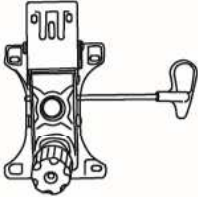


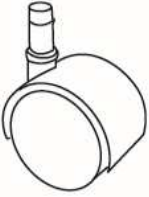
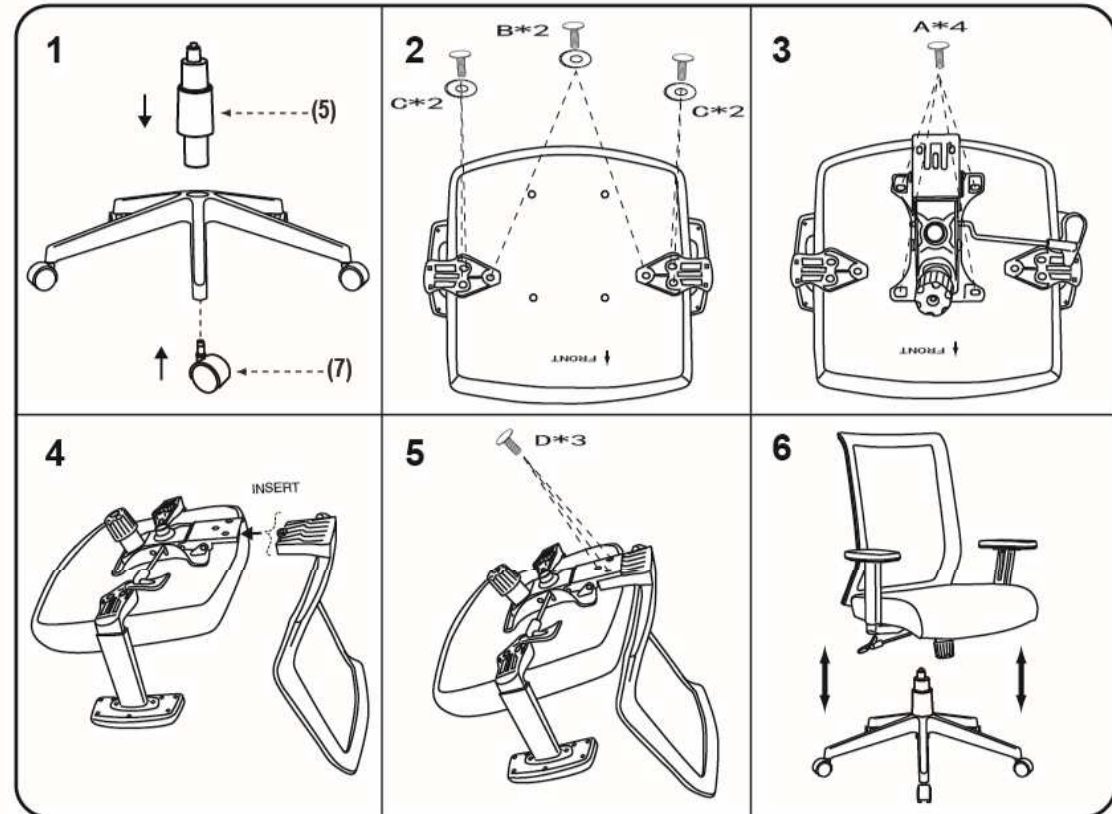
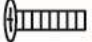
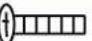
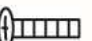



MODEL : B6566

(1)x1  Back Cushion	(2)x1  Seat Cushion	(3)x1 (L)x1 (R)  Left-Arm Right-Arm
(4)x1  Mechanism	(5)x1  Gas Lift W/ Cover	(6)x1  Base
(7)x5  Caster		



**Insert and loosely tighten all screws. When assembly is completed, fully tighten all screws before using. This chair is only intended for sitting. Any other use will void the warranty.**

- |       |   |                       |
|-------|---|-----------------------|
| (A)X4 |  | M8*22 MECHANISM SCREW |
| (B)X2 |  | M6*30 ARM SCREW       |
| (C)X4 |  | M6*40 ARM SCREW       |
| (D)X3 |  | M8*40 L-BAR SCREW     |

