
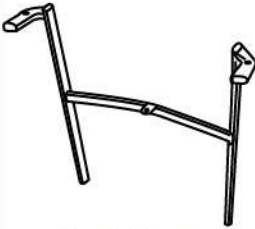
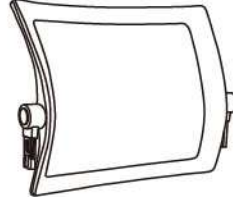


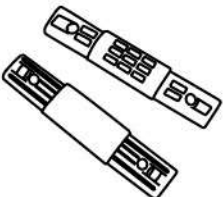
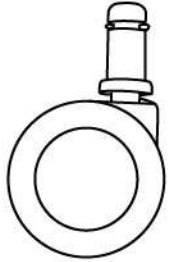
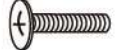


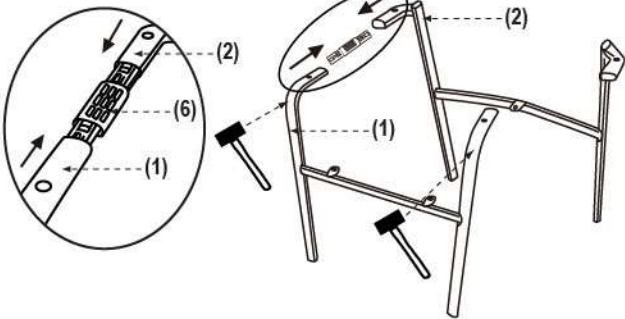


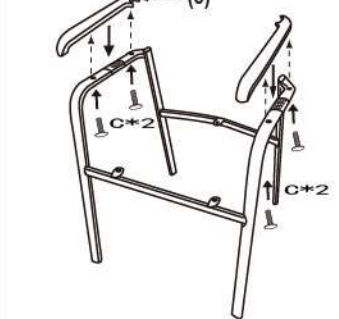
MODEL: B6889R

| | | |
|---|--|---|
| (1)X1  Front Frame | (2)X1  Back Frame | (3)X1 (L)X1 (R)  Back |
| (4)X1  Seat | (5)X1 Pair  Arm Pads | (6)X1 Pair  Frame connector |
| (7)X4  Casters | <p>(A)*3  M6*22 (Seat Cushion)</p> <p>(B)*1 </p> <p>(C)*4  M6*18 (Arm Pads)</p> | |


1 Insert frame connector so holes are on top




2 Screw in arm pads



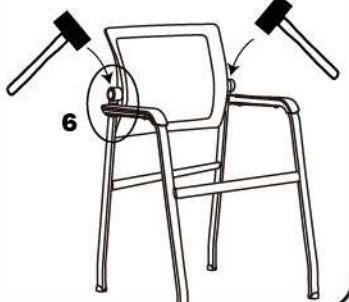
3 Place on level surface



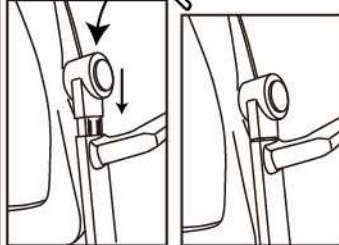
4 Slide back into frame



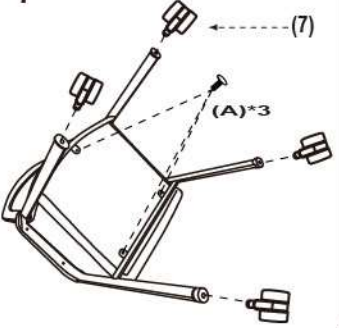
5 Use rubber mallet take turns hitting both sides evenly so they are level




6



7 Insert screws





Insert and loosely tighten all screws. When assembly is completed, fully tighten all screws before using. This chair is only intended for sitting. Any other use will void the warranty.