

Assembly Instruction

Insert and loosely tighten all screws. Failure to do this will cause holes not to line up properly. When assembly is completed, fully tighten all screws before using. This chair is only intended for sitting. Any other use will void the warranty.

B9520 9521 9529 9539 9519
XL 21102 315BLK



9539


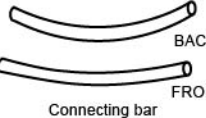






9520 9521 9529
XL 21102 315BLK

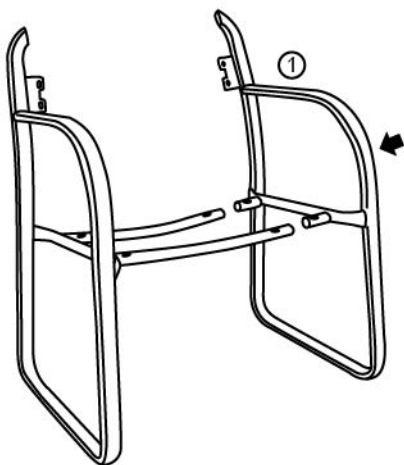


9519

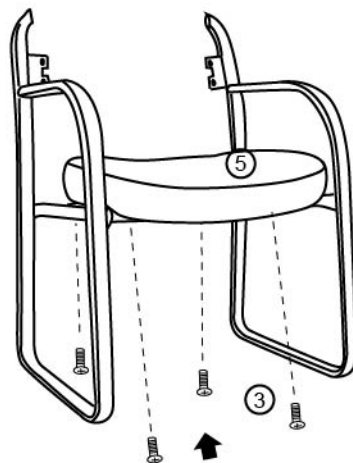
CAUTION : Edges of some parts may be sharp.
Please handle unassembled parts carefully.

	Parts List	Q' ty
①	 Right Frame & Left Frame	2
②	 BACK FRONT Connecting bar	2
③	 LONG	4
④	 SHORT	4
⑤	 Seat	1
⑥	 Back	1

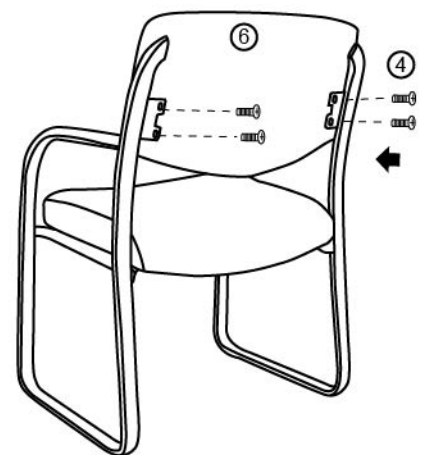
1 Frame & Tube



2 Seat & Frame



3 Back Joint



IMPORTANT NOTICE:
HARDWARE PACKAGE IS ATTACHED ON THE BOTTOM OF SEAT CUSHION.