





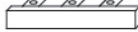
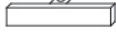




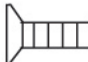

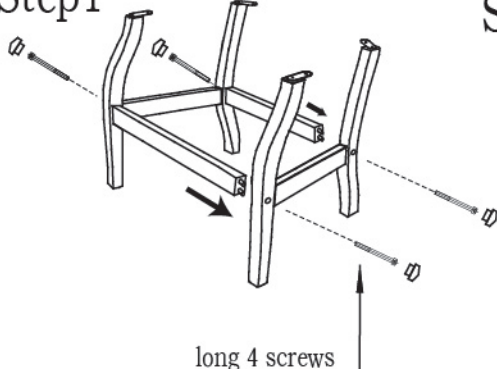


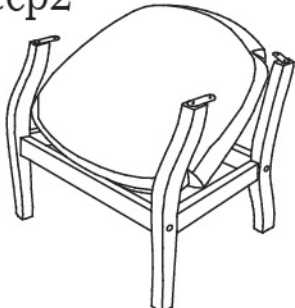
ASSEMBLY INSTRUCTIONS	Parts List	QTY
	 Back	1PC
	  Frame	2PCS
Model No: <ul style="list-style-type: none"> <input type="checkbox"/> B9540 <input type="checkbox"/> B9545 <input type="checkbox"/> W780 <input type="checkbox"/> W781 <input type="checkbox"/> EQ271 <input type="checkbox"/> EQ272 <input type="checkbox"/> Z105 <input type="checkbox"/> Z100 	OR   Frame	2PCS
	 Long (Front)  Short (Back)	2PCS
	 Cushion	1PC
	  Wood Cap Long screw M6x35	4PCS
	 Short screw M6x22	8PCS
	 Allen Key	1PCS

Step1

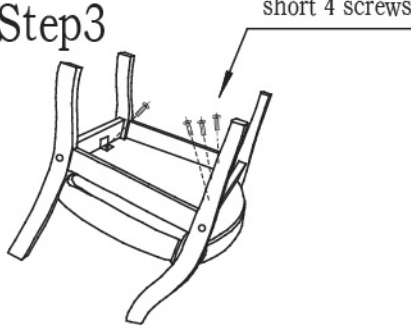


long 4 screws

Step2

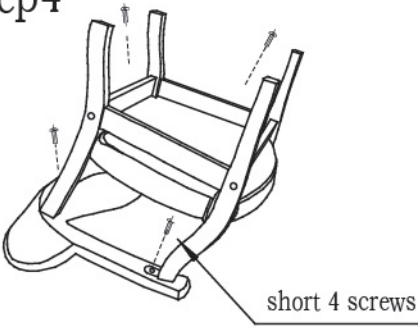


Step3



short 4 screws

Step4



short 4 screws

Do not tighten screws leave loose until step2.
 Place seat cushion inside frame,screw cushion in,
 then tighten frame (long screws) and seat (short screws).
 NOTE: Please make sure all screws are completely tightened.

Insert and loosely tighten all screws. When assembly is completed, fully tighten all screws before using. This chair is only intended for sitting. Any other use will void the warranty.

IMPORTANT NOTICE:
HARDWARE PACKAGE IS ATTACHED ON THE BOTTOM OF SEAT CUSHION.