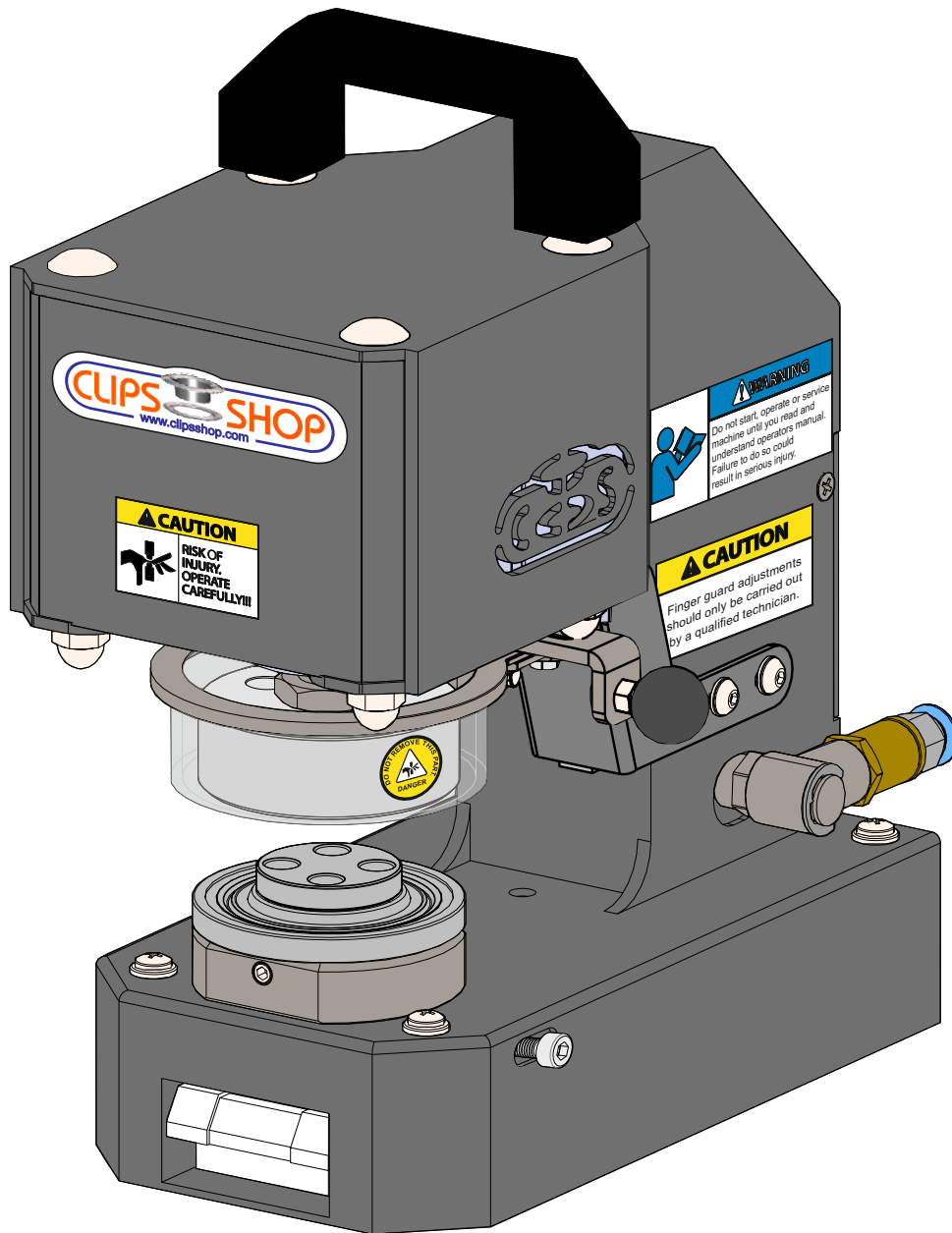


PNEUMATIC GROMMET ATTACHING MACHINE

Please read this manual before using the machine.  
Please keep this manual within easy reach for quick reference.



CS-TIDY-51~ v1.1

## Notes for using this book

1. This book was prepared based on information available in October 2018.
2. Parts are subject to changes in design without prior notice.
3. Parts supplied as complete assemblies are circled by a dotted line.

## CONTENTS

Safety Instructions.....	3	<b>12. INSTALLATION OF VARIOUS DIE SETS.....</b>	26
Notes On Safety.....	4	12-1. Finger Guard Installation.....	26
Warning Labels.....	7	12-2. Upper Die Adaptor Installation.....	27
<b>1. BOX CONTENT.....</b>	8	12-3. Die Installation (for self-piercing grommets).....	28
<b>2. NAMES OF MAJOR PARTS.....</b>	9	12-4. Large Size Die (for curtain eyelets) Installation...	29
<b>3. SPECIFICATIONS.....</b>	10	<b>13. STANDARD ADJUSTMENT.....</b>	30
<b>4. DIMENSIONS.....</b>	11	13-1. The Die Alignment.....	30
<b>5. TABLE PROCESSING DIAGRAM.....</b>	12	13-2. Finger Guard Adjustment.....	32
<b>6. DIES COMPATIBILITY GUIDE.....</b>	13	13-3. Finger Guard Speed Adjustment.....	33
<b>7. ACCESSORIES COMPATIBILITY GUIDE.....</b>	14	<b>14. UPPER DIE ADAPTOR ADJUSTMENT.....</b>	34
<b>8. INSTALLATION.....</b>	15	<b>15. SPARE PART LIST.....</b>	35
8- 1. Handle Installation.....	15	A. Machine body.....	35
8- 2. Installation to the Adjustable Table Accessory.....	15	B. Starting Mechanism Mechanical Parts.....	36
8- 3. Die Installation.....	16	B1. Ball Bearing Slide.....	37
8- 4. Adjustment of the Manual Starting Arm.....	16	B2. Start Bracket.....	38
8- 5. Foot Pedal Installation.....	17	B3. Finger Guard.....	39
8- 6. Air Hose Installation.....	17	C. Lower Die Holder.....	40
<b>9. FINGER GUARD SAFETY CONTROL.....</b>	18	D. Upper & Lower Die / Adaptors.....	41
<b>10. OPERATION.....</b>	18	E. Cylinder & Start Valve.....	42
10-1. Placing the washer.....	18	F. Speed Controller & Safety System Cylinder.....	43
10-2. Placing the grommet.....	18	G. Foot Pedal CS-TIDY-51 «F».....	44
10-3. Placing the material with optional GrommetSniper™.....	19	H. Labels.....	45
10-4. Aligning the material with optional GrommetSniper™.....	19	<b>16. MAINTENANCE.....</b>	46
10-5. Start with Foot Pedal.....	19	16-1. Cleaning the Machine.....	46
10-6. Manual Start.....	19	16-2. Lubrication of the Machine.....	46
<b>11. OPTIONAL ACCESORIES INSTALLATION.....</b>	20	<b>17. TROUBLESHOOTING.....</b>	47
11-1. GrommetSniper™ CSGSP-1 Installation.....	20	<b>18. INDEX.....</b>	48
11-2. Large GrommetSniper™ CSGSP-2 Installation.....	20	EC Declaration of Conformity.....	49
11-3. GrommetSniper™ Y-axis alignment.....	21		
11-4. GrommetSniper™ X-axis alignment.....	21		
11-5. EyeleD™ Pointer Installation.....	22		
11-6. EyeleD™ Pointer Adjustment.....	23		
11-7. Mobile Cart Installation.....	24		
11-8. FRL Unit Installation.....	25		

Thank you very much for buying ClipsShop Pneumatic CS-TIDY-51 grommet attaching machine.

Before using your new machine, please read the safety instructions below and the explanations given in the instruction manual.

With pneumatic machines, it is normal to carry out work while positioned directly in front of moving parts such as upper and lower die take-up lever, and consequently there is always a danger of injury that can be caused by these parts.

Follow the instructions from training person and instructors regarding safe and correct operation before operating the machine so that you will know how to use it correctly.

## SAFETY INSTRUCTIONS

### [1] Safety indications and their meanings

This instruction manual and the indications and symbols that are used on the machine itself are provided in order to ensure safe operation of this machine and to prevent accident and injury to yourself or other people.

The meanings of these indications and symbols are given below.

#### Indications



#### DANGER

The instructions which follow this term indicate situations where failure to follow the instructions will almost certainly result in death or severe injury.



#### CAUTION

The instructions which follow this term indicate situations where failure to follow the instructions may result in physical damage to equipment and surroundings or result in problems with equipment operation.

#### IMPORTANT

The instructions which follow this term indicate situations where failure to follow the instructions could cause injury when using the machine or physical damage to equipment and surroundings.

#### Symbols



..... This symbol ( $\Delta$ ) indicates something that you should be careful of. The picture inside the triangle indicates the nature of the caution that must be taken. (For example, the symbol at left means "beware of injury").



..... This symbol ( $\textcircled{/}$ ) indicates something that you must not do.

## [2]. Notes on safety



### DANGER



Before uninstalling CS-TIDY-51 machine parts, make sure to disconnect the air hoses from the air supply. The parts underneath the cover may move with air pressure and severe injury may result.



Compressor outlet pressure must be regulated so as to NEVER exceed the maximum pressure rating 7 bars (101 PSI) of CS-TIDY-51. This may cause damage on the machine or serious injury.



### CAUTION

#### Environmental requirements



The ambient temperature should be within the range of 5°C to 35°C during use. Temperatures which are lower or higher than this may cause problems with correct operation.



The relative humidity should be within the range of 45% to 85% during use and no deformation should occur in any devices. Excessively dry or humid environments and deformation may cause problems with correct operation.

#### Installation



Machine installation should only be carried out by a qualified technician.



Do not connect the air until installation is complete. If the start button, the manual start plate or the foot pedal is pressed by mistake, the CS-TIDY-51 machine might start operating and it could result with injury.



Use a table with a height of 84 cm or less. If the table is too high, the machine head may become unbalanced and fall down, and serious injury or damage to the machine may result.



If using a work table which has casters (i.e. "CS-TIDY-W"), the casters should be secured in such a way so that they cannot move.



Be sure to wear protective goggles and gloves when handling the lubricating oil and grease so that they do not get into your eyes or onto your skin. If the oil and grease get into your eyes or onto your skin, inflammation can result. Furthermore, do not drink or eat the lubricating oil or grease. They may cause diarrhea or vomiting. Keep the oil out of the reach of children.



## CAUTION

### Applications



The pneumatic delivery capability of your air compressor should be sufficient to foster CS-TIDY-51 machine's total air consumption. Insufficient pneumatic delivery capability may cause problems with correct operation.



The CS-TIDY-51 machine should only be used by operators who have received the necessary training in safe use beforehand.



The CS-TIDY-51 machine should not be used for any applications other than its purpose.



Disconnect the air hoses from the air supply at the following times. the CS-TIDY-51 machine might start operating and injury could result.

- When adjusting upper and bottom dies.
- When replacing upper and bottom dies.
- When not using the machine and when leaving the machine unattended.



Attach all safety devices before using the CS-TIDY-51 machine. If the machine is used without these devices attached, injury may result.



Do not touch any of the moving parts or press any objects against the machine during operation, as this may result in personal injury or damage to the machine.



If an error occurs in machine operation, or if abnormal noises are noticed immediately disconnect the air hose from the air supply. Then contact your nearest ClipsShop dealer or a qualified technician.



If the machine develops a problem, contact your nearest ClipsShop dealer or a qualified technician.

### Cleaning



Make sure to disconnect the air hose from the air supply, before carrying out cleaning. If the start button, the manual start plate or the foot pedal is pressed by mistake, the CS-TIDY-51 machine might start operating and injury could result.



Be sure to wear protective goggles and gloves when handling the lubricating oil and grease so that they do not get into your eyes or onto your skin. If the oil and grease get into your eyes or onto your skin, inflammation can result. Furthermore, do not drink or eat the lubricating oil or grease. They may cause diarrhea or vomiting. Keep the oil out of the reach of children.



## CAUTION

### Maintenance and inspection



Maintenance and inspection of the CS-TIDY-51 machine should only be carried out by a qualified technician.



Disconnect the air hose from the air supply before carrying out the following operations. If the start button, the manual start plate or the foot pedal is pressed by mistake, the CS-TIDY-51 machine might start operating and could result with injury.

- Inspection, adjustment and maintenance
- Replacing consumable parts such as the die sets



Disconnect the air hose from the air supply during adjustment or repair of any parts.



In case air connection is needed to be left on when carrying out some adjustments, be extremely careful to observe all safety precautions.



When replacing parts and installing optional accessories be sure to use only genuine ClipsShop parts. ClipsShop will not be held responsible for any accidents or problems resulting from the use of non-genuine parts.



If any safety devices have been removed, be absolutely sure to re-install them to their original positions and check that they operate correctly before using the machine.



To prevent accidents and problems, do not modify the machine yourself. ClipsShop will not be held responsible for any accidents or problems resulting from modifications made to the machine.


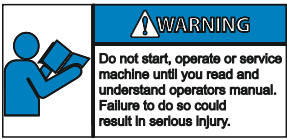


### IMPORTANT



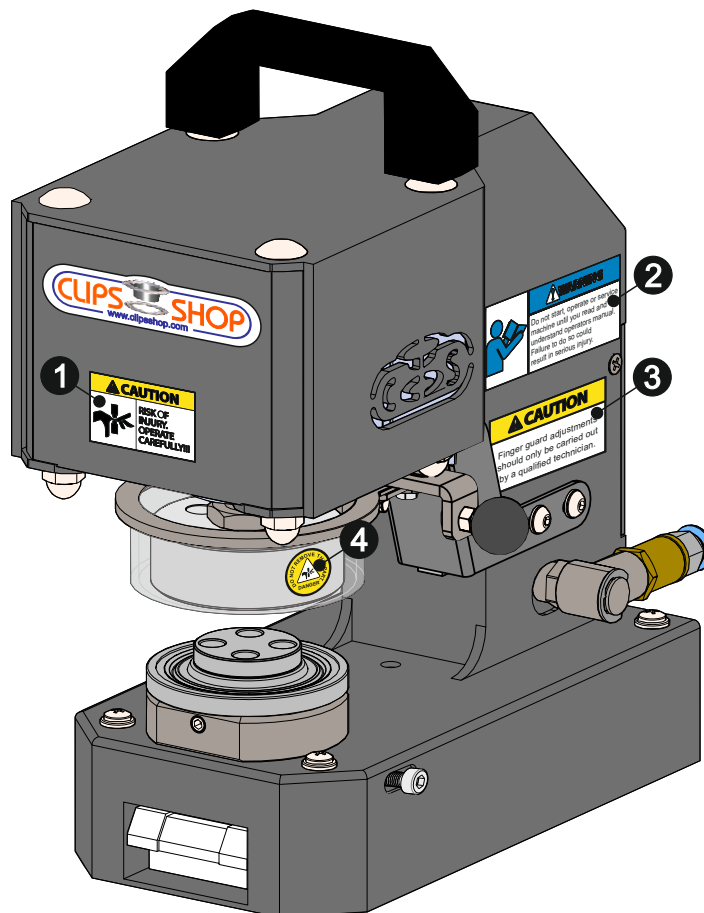
Do not allow any liquids to get onto this CS-TIDY-51 machine, otherwise this would prevent seamless operation. If any liquid gets inside the CS-TIDY-51 machine disconnect the air hoses from the air supply and then thoroughly clean and lubricate the machine to prevent oxidation. If an error occurs in machine operation, or if abnormal noises are noticed, contact the place of purchase or a qualified technician.

### [3] Warning labels

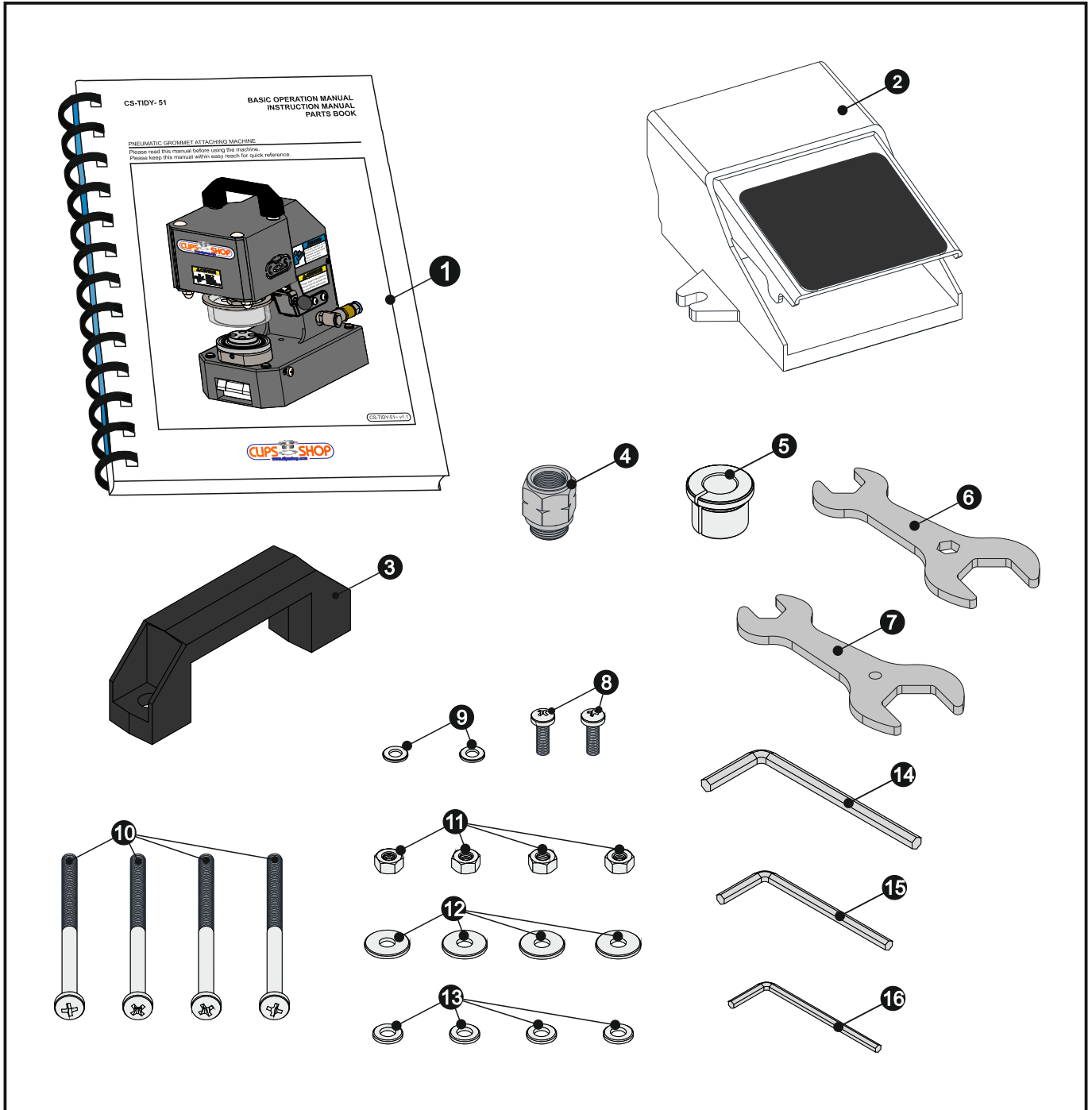
The following warning labels appear on the CS-TIDY-51 machine.  
 Please follow the instructions on the labels at all times when using the machine.  
 If the labels have been removed or are difficult to read, please contact your nearest ClipsShop dealer.

- ①  → moving parts may cause injury.
- ②  → Please read the safety instructions
- ③  → Operate with safety devices\* installed
- ④  → Operate with safety devices\* installed

\*Safety devices  
 Devices such as finger guard & machine body.



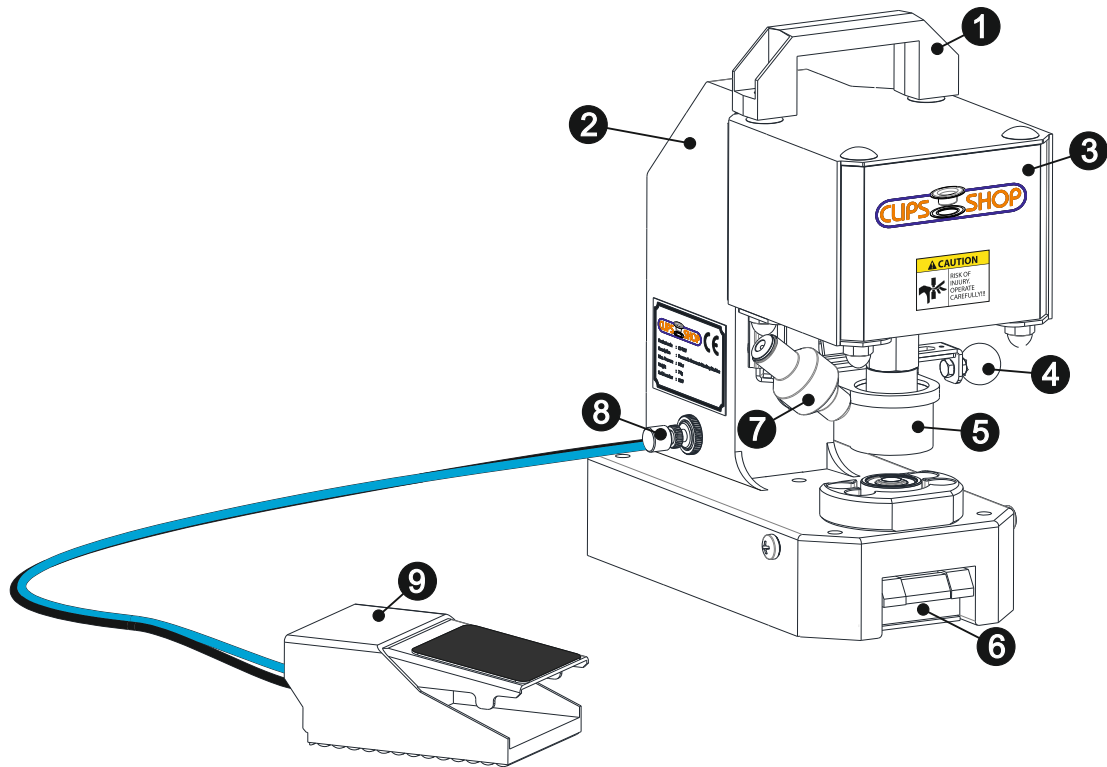
# 1. BOX CONTENT ( CS-TIDY-51 )



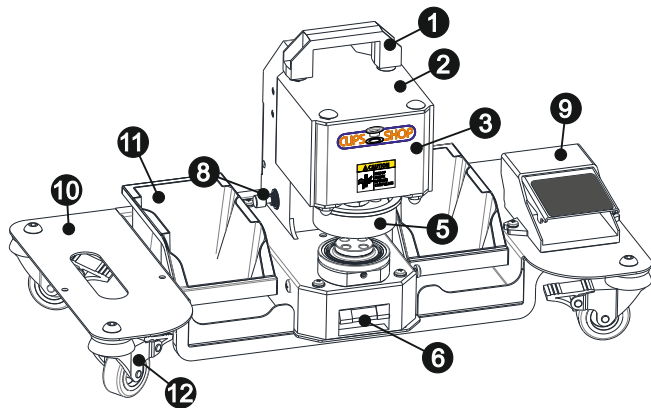
REF NO	CODE	QTY	NAME OF PARTS	REF NO	CODE	QTY	NAME OF PARTS
1	152745	1	INSTRUCTION MANUAL				
2	392156	1	FOOT PEDAL ASSEMBLY.				
3	740723	1	HANDLE				
4	446722	1	REDUCER,G1/4"BSSP male-1/4"NPTfemale				
5	110202	1	LOWER DIE BUSHING				
6	316124	1	WRENCH <15mm - 24mm>				
7	316024	1	WRENCH <1/2" - 24mm>				
8	704516	2	SCREW, ISO 7045 - M5 x 16 - Z --- 16S				
9	125053	2	WASHER, DIN 125 - A 5.3				
10	750610	4	SCREW, ISO 7045 - M6 x 60 - Z --- 60S				
11	216489	4	NUT, ISO 4032 - M6 - W - S				
12	125065	4	WASHER, DIN 125 - A 6.4 (18mm)				
13	125064	4	WASHER, DIN 125 - A 6.4				
14	170805	1	ALLEN KEY SIZE 5 mm				
15	170804	1	ALLEN KEY SIZE 4 mm				
16	170803	1	ALLEN KEY SIZE 3 mm				

2. NAMES OF MAJOR PARTS ( CS-TIDY-51 )

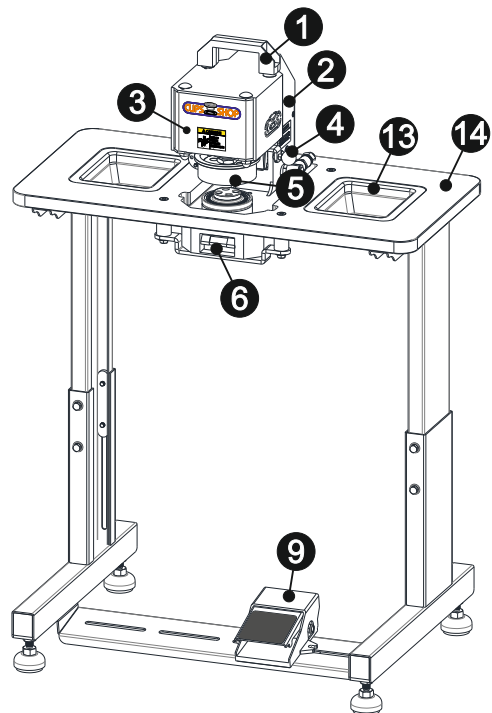
**CS-TIDY- 51**



**CS-TIDY-51 with optional Mobile Cart Accessory (CS-TIDY-W)**



**CS-TIDY-51 with optional Adjustable Table Accessory (CS-TIDY-T)**



REF NO	CODE	QTY	NAME OF PARTS	REF NO	CODE	QTY	NAME OF PARTS
1	740723	1	HANDLE	9	392156	1	FOOT PEDAL ASSY.
2	834900	1	BODY	10	338725	1	MOBILE CART (Optional)
3	200361	1	CYLINDER	11	381226	2	STORAGE BIN
4	220301	1	MANUAL START KNOB	12	254000	4	CASTERS
5	645055	1	FINGER GUARD	13	201522	2	ACCESSORY CASE
6	002401	1	DRAWER	14	064231	1	ADJUSTABLE TABLE (Optional)
7	121400	1	EYELED POINTER (Optional)				
8	265481	1	FINGER GUARD SPEED CONTROLLER				

CS-TIDY-51

### 3. SPECIFICATIONS ( CS-TIDY-51 )

The ClipsShop CS-TIDY-51 is portable pneumatic grommet attaching machine which offers a safe and efficient way to fasten grommets to banners, tarpaulins, flags, truck covers, awnings, industrial fabrics, signs, posters and more.

- **Keeps your working place TIDY.** Special self-cleaning dies are available in popular sizes specific to the CS-TIDY-51. When used with those specific dies, the slugs are accumulated into the built –in drawer. No more hassles to clean the slugs.
- **Compatible with the ClipsShop EyeLED Pointer™ Accessory** New Generation LED version of the traditional Laser Pointers in order to show the operator the exact attaching point. (EyeLED Pointer accessory works with either battery or electricity)
- **Compatible with the ClipsShop GrommetSniper™ / Large GrommetSniper™ Accessory** Alignment Fixture for consistent placement of grommets.
- **State of the art Mobile Cart option.** Designed for users work to easily move the machine around the job. Extra low height and weight to ease working on large and heavy substrates. Containers to place the grommets and washers.
- **Interchangeable dies.** Along with its special dies, ClipsShop self-piercing dies up to size #12 are compatible with the CS-TIDY-51 machine
- **Adjustable Table option.** CS-TIDY-51-T is way more than just furniture to put your TIDY machine on. It fits to the ergonomic requirements of the user and designed to accommodate different physical dimensions and the requirements of the grommet attachment needs for various projects.

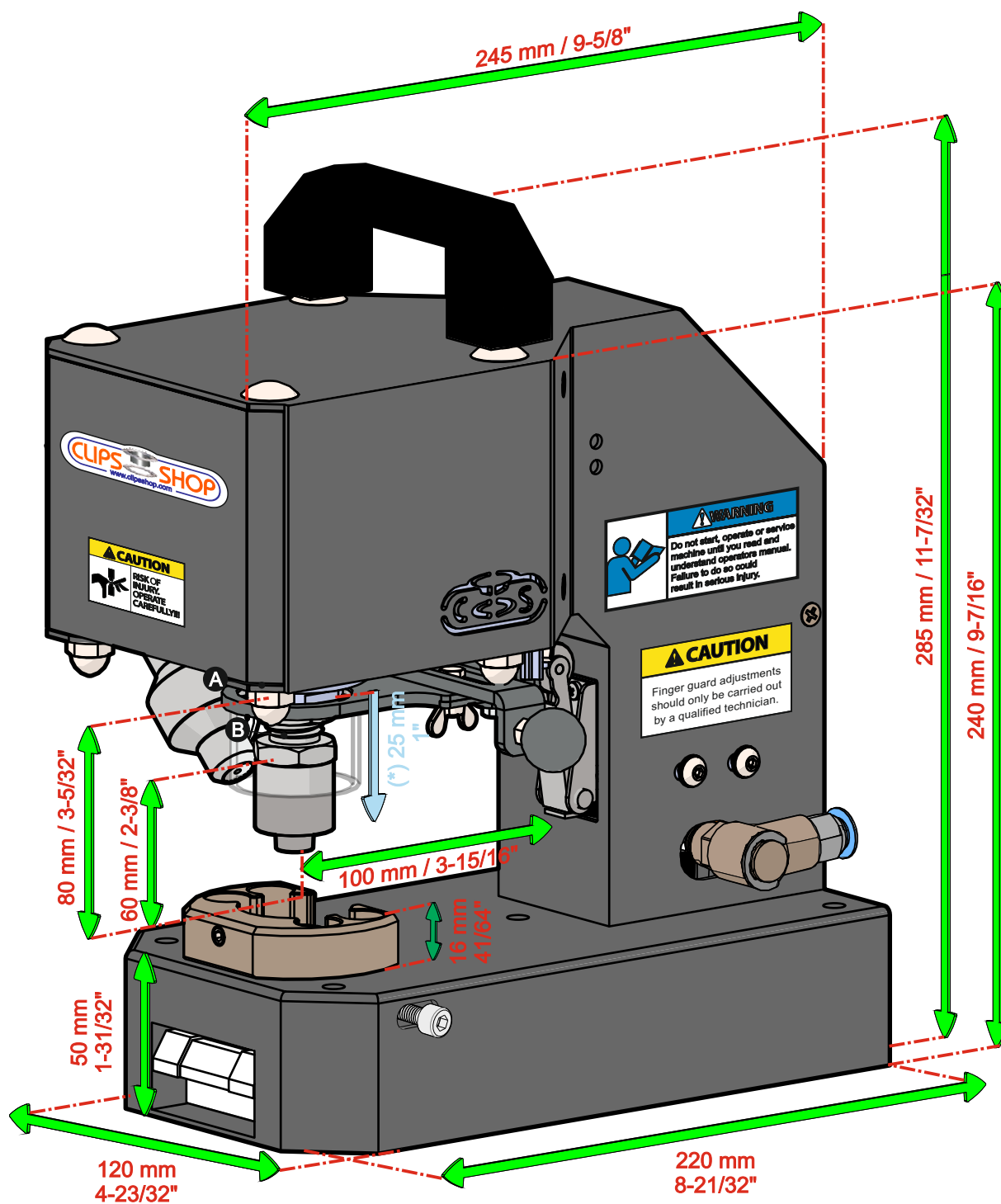
**IMPORTANT NOTICE:** Your CS-TIDY-51 machine is a pneumatic machine and it needs compressed air coming from compressor.

Air leaving a compressor is hot, dirty, and wet, which can damage and shorten the life of downstream equipment, such as valves and cylinders. Before air can be used it needs to be filtered, regulated and lubricated.

CS-TIDY machines do not come with built-in Filter-Regulator-Lubricator (FRL). If you do not have an existing system that lets your CS-TIDY machine getting filtered, regulated and lubricated air, CS-TIDY-FRL accessory installation is necessary and highly recommended to increase the life span of your CS-TIDY series machine.

CS-TIDY-51	Pneumatic grommet attaching machine
APPLICATION AREAS	Attaching grommets on different substrates such as curtains, tarpaulins etc.
FEEDING	Manual grommet & washer feed
SAFETY SYSTEM	Thickness sensitive moveable finger guard
AIR INPUT SIZE & TYPE	8 mm dia. direct hose /1/4" BSPP / 1/4" NPT (female end on machine)
OPERATING PRESSURE	4 - 6 Bar / 58-87 PSI
AIR CONSUMPTION	2.25 NL/cycle (@ 5 Bar - 73 PSI working pressure)
RECOMMENDED COMPRESSOR	8 Bar / 120 PSI - 1.8L / 0.5gal. /cycle
STROKE	1" / 25 mm
WORK HEIGHT (Max.)	3" / 78 mm (From shaft end to lower die bushing plate top.)
THROAT DEPTH	4" / 100 mm (from eyelet center)
NOISE LEVEL	76 dB (A)
MACHINE FORCE	8.4kN / 860 kgf / 1895 lbf (@ 6 Bar - 87 PSI working pressure)
NET WEIGHT	CS-TIDY-51 / 22 lbs - 10kg
DIMENSIONS (W*D*H)	4¾"~9⅝"~11¼" / 120mm*245mm*285mm
OPTIONAL ACCESSORIES	EyeLED Pointer , GrommetSniper, Large GrommetSniper Mobile Cart, Adjustable Table, FRL(Filter-Regulator-Lubricator) accessory

#### 4. DIMENSIONS ( CS-TIDY-51 )



All dimensions are millimeters.

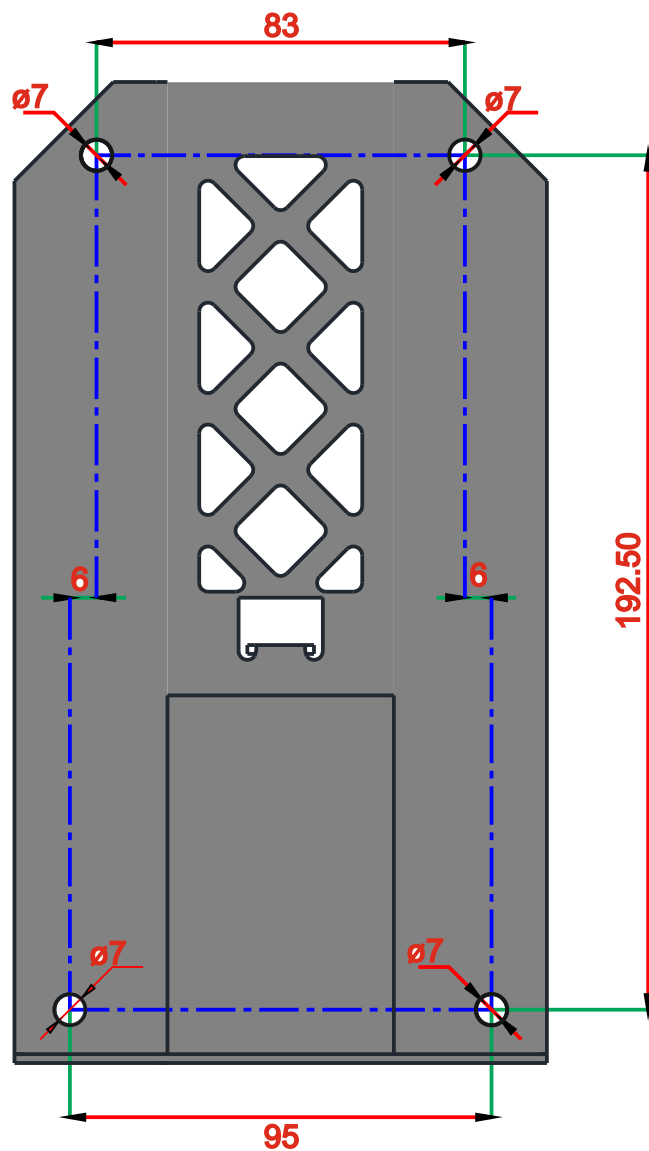
(\*) Cylinder stroke.

A: Cylinder shaft thread size (M18x2.5mm)

B: Upper die adapter thread size (1/4"-20 UNC)

## 5. TABLE PROCESSING DIAGRAM ( CS-TIDY-51 )

- The thickness of the table should be at least 18 mm, and it should be strong enough to bear the weight and vibration of the CS-TIDY-51 machine.



All dimensions are milimeters.



7. ACCESSORIES COMPATIBILITY GUIDE ( CS-TIDY-51 )

Die Type Relevant Accessories	CS-TIDY Specific Die Sets										ClipsShop Standard Self-Piercing and Piercer Die Sets										Two-Steps Die Sets		
	CSDIE #1SS TIDY	CSDIE #2SS TIDY	CSDIE #3SS TIDY	CSDIE #4SS TIDY	CSDIE #5SS TIDY	CSDIE #5SS TIDY	CSDIE #00	CSDIE #01	CSDIE #02	CSDIE #03	CSDIE #04	CSDIE #05	CSDIE #5.5	CSDIE #7.5PA	CSDIE #8.5PA	CSDIE #12PA							
<b>GrommetSniper™</b>	<b>CSGSP-1 &amp; CSGSP-2</b>																						
	<b>CSEDIP-01</b>																						
<b>Other Accessories ( CS-TIDY-51 )</b>																							
<b>CS-TIDY-FRL</b>	<b>Optional Accessory / "Filter Regulator Lubricator Accessory" For CS-TIDY Series</b>																						
<b>CS-TIDY-T</b>	<b>Optional Accessory / "Mobile Cart" For CS-TIDY Series</b>																						
<b>CS-TIDY-W</b>	<b>Optional Accessory / "Adjustable Table" For CS-TIDY Series</b>																						

## 8. INSTALLATION ( CS-TIDY-51 )



**CAUTION**



Machine installation should only be carried out by a qualified technician.



Do not connect the air hose until the installation is completed.  
If any starting device is pressed by mistake, the CS-TIDY-51 machine might start operating and could result with injury.



Use a table with a height of 84 cm or less. If the table is too high the machine head may become unbalanced and fall down, and serious injury or damage to the machine may result.



If using a work table which has casters, the casters should be secured in such a way so that they cannot move.



Be sure to wear protective goggles and gloves when handling the lubricating oil and grease so that they do not get into your eyes or onto your skin. If the oil and grease get into your eyes or onto your skin, inflammation can result. Furthermore, do not drink or eat the lubricating oil or grease. They may cause diarrhea or vomiting. Keep the oil out of the reach of children.

### 8-1. Handle Installation

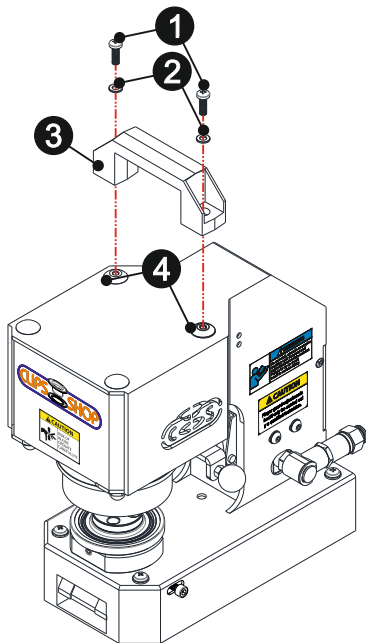


fig. 1

Poke the bolts **1** through the washers **2** then the hole of the handle **3** and fix them to the bolts with threaded head **4** by using a screwdriver as shown in (fig. 1).

### 8-2. Installation to the Adjustable Table Accessory

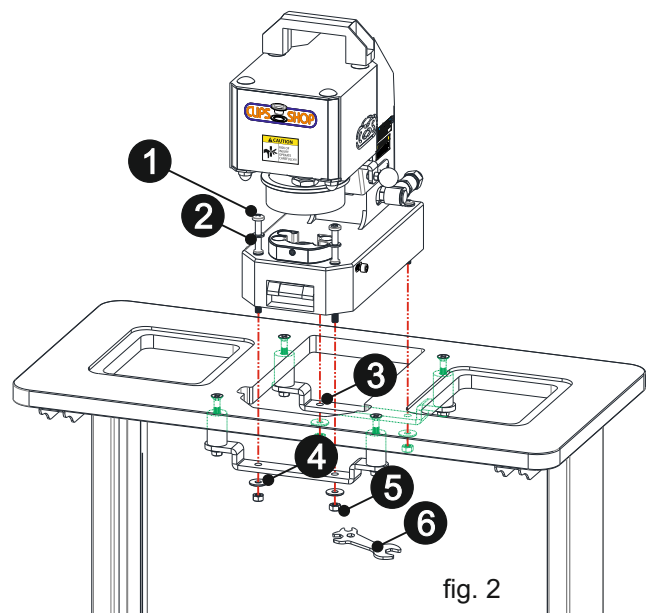


fig. 2

Firstly insert screws **1** to the washers **2** from CS-TIDY then through the head spool plates **3**. Attach screws **1** to the washers **4** and nuts **5**. Tighten the nuts **5** with wrench **6** for fixing.  
*Please refer to the instruction manual of Adj. Table Accessory for further instructions.*

## 8. INSTALLATION ( CS-TIDY-51 )

### 8-3. Die Installation

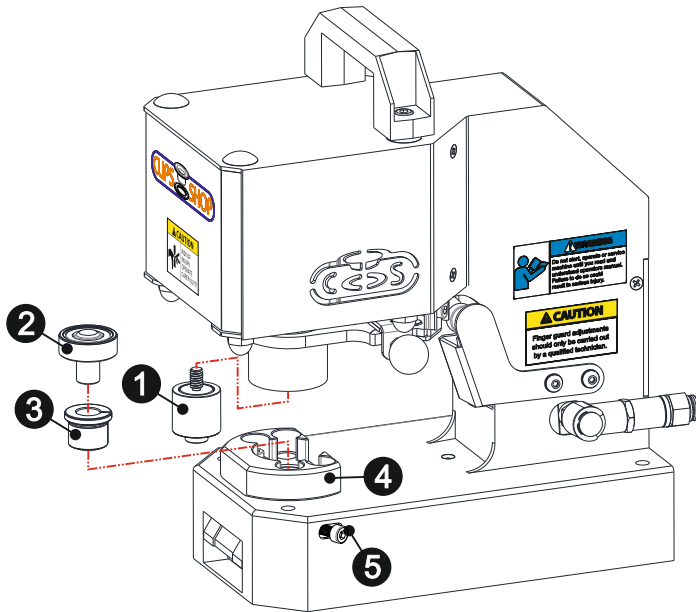


fig. 3

**Important Note:** 1) Be sure that the upper die adaptor is securely fixed to the shaft and the upper die is securely fixed to the die adaptor at all times. During a production run check that the upper die has not loosened from the die adaptor. Using the machine with a loose upper die can damage the threads of the die and the die adaptor.

2) Before attaching the upper die, you may use an Allen wrench to ensure the small set screw on the die is tightly secured.

3) Do not disassemble the die. The small Allen screw should not be loosened or the die will come apart. If pieces are lost or not put together in the correct order then the die will not work. If you notice that the allen screw is loose then it should be tightened.

Make sure there is no air in the system. Attach the upper die ① to the upper die adaptor by manually rotating. Once the acrylic safety guard blocks, pull the manual starting mechanism downwards to access the upper die ① to securely fix it. Attach the lower die ② to the lower die holder ④ and securely fix the screw ⑤ to stabilize the position of the lower die (fig. 3).

**Note:** The die installation procedures may change depending on the type of die set you would like to use. i.e. In case of the need of the regular die installation, before locating the lower die ②, first attach the lower die bush ③ to the lower die holder ④. Please refer to the "Die and Accessories Compatibility Guide" and "Die Installation" sections for further information about the installation necessities of different type dies.

### 8-4. Adjustment of the Manual Starting Arm

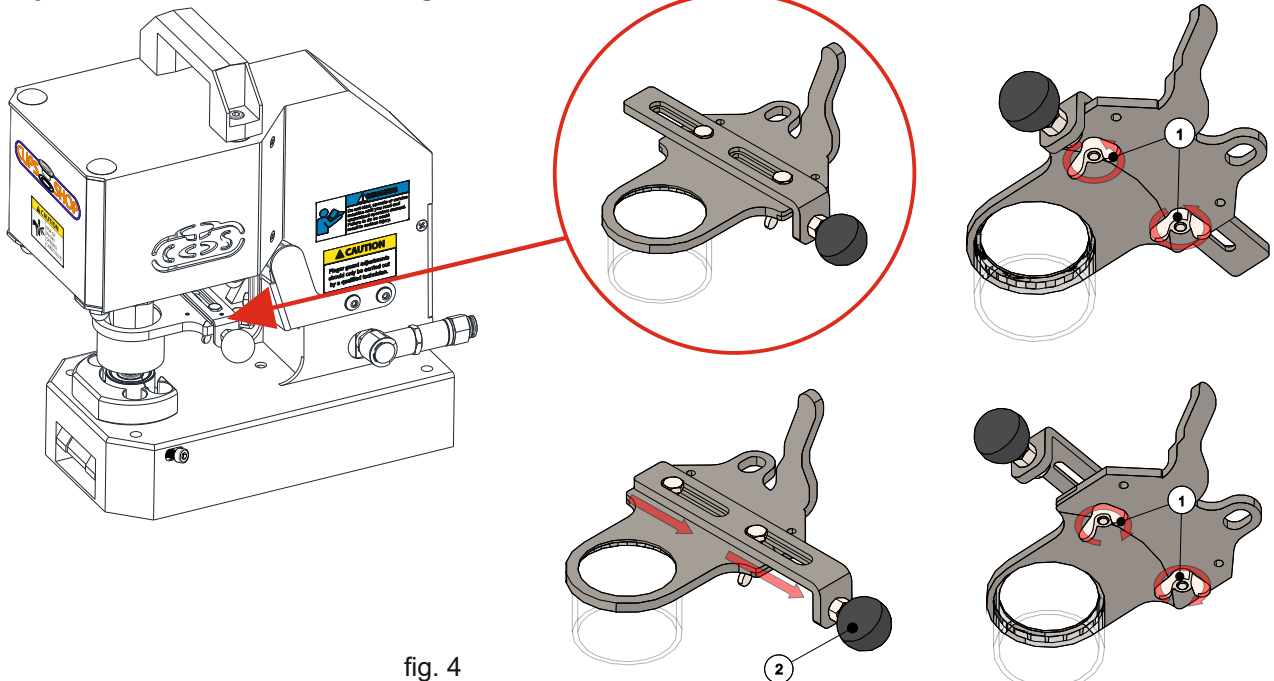


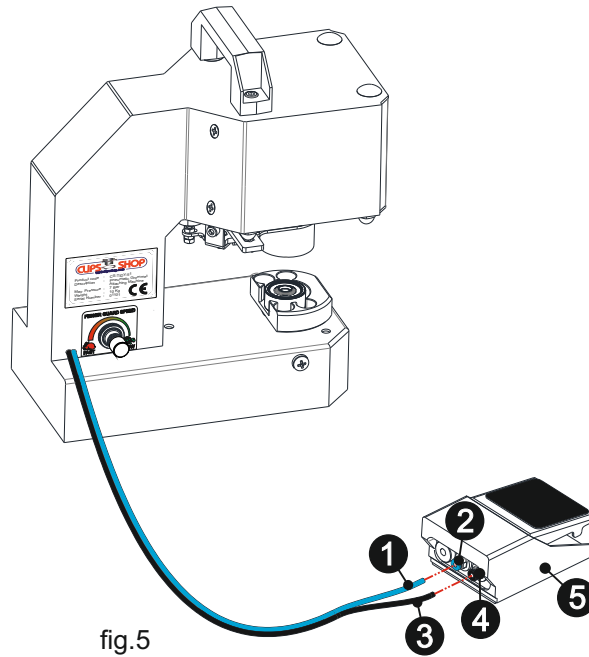
fig. 4

In order to avoid any damage during transportation, the manual starting arm ② of the machine is set to tightest position in factory settings. This arm is needed to be extended by the user for proper use. Loosen the wing nuts ① manually. Pull the manual starting arm ② in the arrow direction and adjust the length of it. Then securely fix the wing nuts ① manually as shown in (fig. 4).

**Note:** You can shift the position of the manual starting arm ② to the right or to the left of the machine if required.

## 8. INSTALLATION ( CS-TIDY-51 )

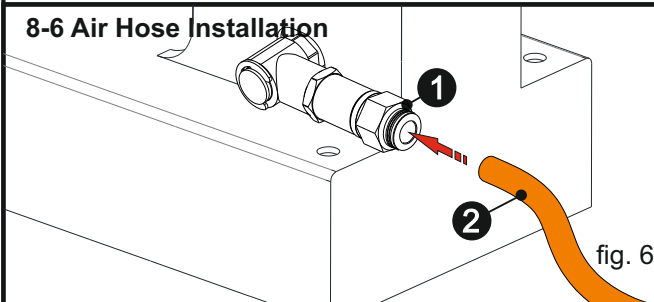
### 8-5 Foot Pedal Installation



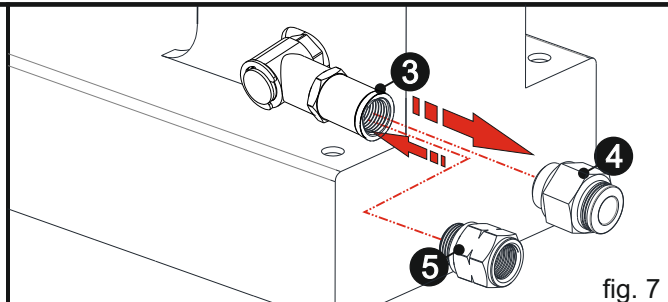
To avoid any damage during transportation, foot pedal 5 is packed unassembled in the factory and needs to be installed by the user. Install the blue 1 and black 3 hose to the blue 2 and black 4 fittings respectively by manually fitting in tightly as shown in (fig. 5).

**Air compressor recommendation:** The air compressor selection to use with the CS-TIDY-51 widely depends on the usage frequency of the machine. Though, as a minimum, any size/power compressor which has an ability to generate 8 bars (120 PSI) is adequate to foster the machine, if you are applying large quantities of eyelets per day, it is highly recommended to foster the machine with large size / high power air compressor. The larger/powerful , the better.

### 8-6 Air Hose Installation



Plug in the 8 mm diameter hose 2 coming from your compressor to the fitting 1 of CS-TIDY-51. Turn on your air source and check the pressure in the system is averagely 6 bars. Afterwards, check if any air leakage exists.



Alternatively, you can remove the 8 mm quick connect adaptor 4 from your machine by using a suitable wrench. Then you can connect your hose that has G1/4 inch BSSP male adaptor to the G1/4 inch BSSP female adaptor part 3 of the elbow adaptor.

As a third alternative, you can install 1/4 inch NPT adaptor 5 that comes with the machine. This adaptor's male part is G1/4 inch BSSP to fit to elbow adaptor and female part is 1/4 inch NPT. Afterwards, you can connect your hose that has 1/4 inch NPT male end to the adaptor.

**FITTING INFORMATION:** Correct fittings usage in terms of thread size is important while making the air connection between your hose and the machine. Generally speaking, in US and Canada, NPT type threads and in the rest of the world BSP type threads are popular. NPT/NPS and BSP threads are not compatible due to the differences in their thread forms, and not just the fact that most sizes have a different pitch. The threads pattern used in your CS-TIDY series machine is BSSP but 1/4 inch NPT adaptor is also provided for your needs. Please make sure to use correct thread adaptors to prevent air leakage.

## 9. FINGER GUARD SAFETY CONTROL (CS-TIDY-51)

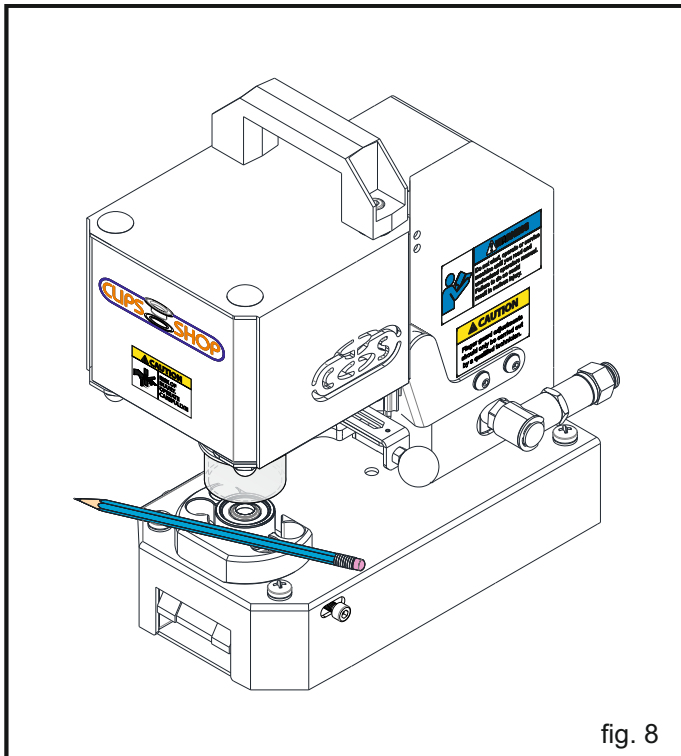


fig. 8

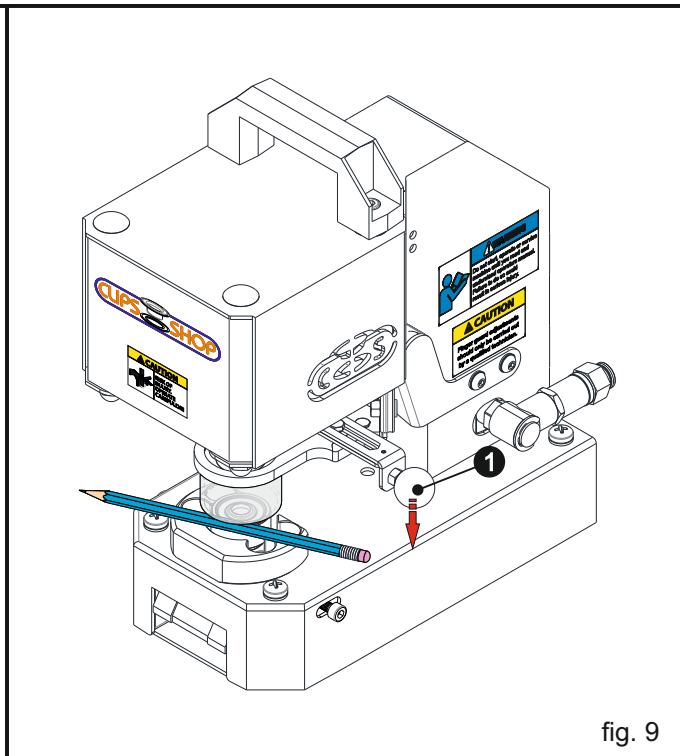


fig. 9

The machine should not be operated before checking the proper working of the safety guard. For testing, a test material thinner than your finger (i.e. pencil) shall be used. Locate your test material (acting as your finger) as shown in the (fig.8) **Note:** Do not use a rigid test material such as screwdriver located in the middle of the die set during your safety check. You may damage the die set.

As shown in the (fig. 9), gently pull down the manual starter arm ①. If the machine does not work when the clear acrylic cover touches your test material, you can safely start using your machine. **IF NOT, YOU SHALL FOLLOW THE PROCEDURES DESCRIBED UNDER THE TITLE "CS-TIDY-51 Finger Guard Adjustment"**

### 10 OPERATION ( CS-TIDY-51 ) 10-1 Placing the washer

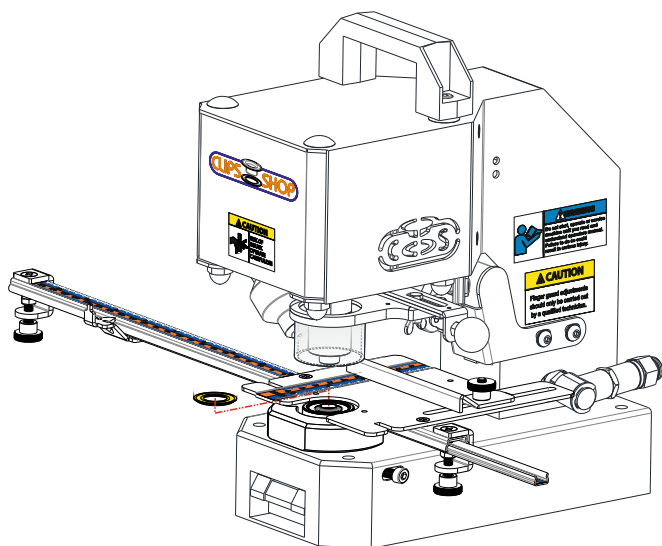


fig. 10

Center and place the washer on the lower die.

### 10-2 Placing the grommet

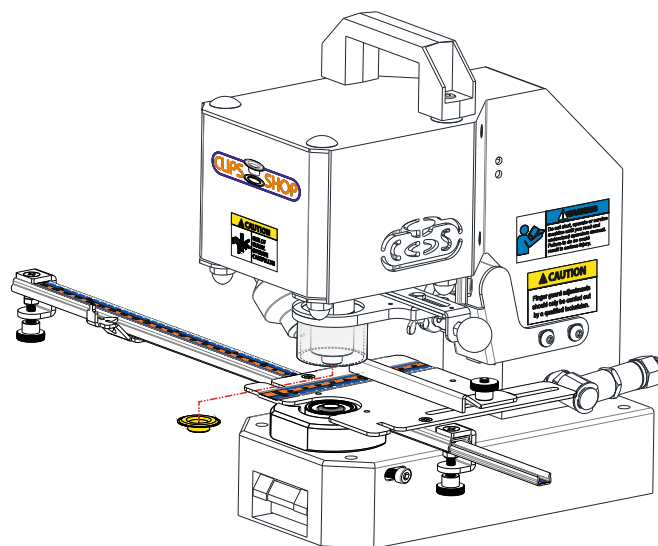


fig. 11

Gradually lift and attach the grommet to the upper die by hand.

10. OPERATION ( CS-TIDY-51)

10-3 Placing the material with optional GrommetSniper™

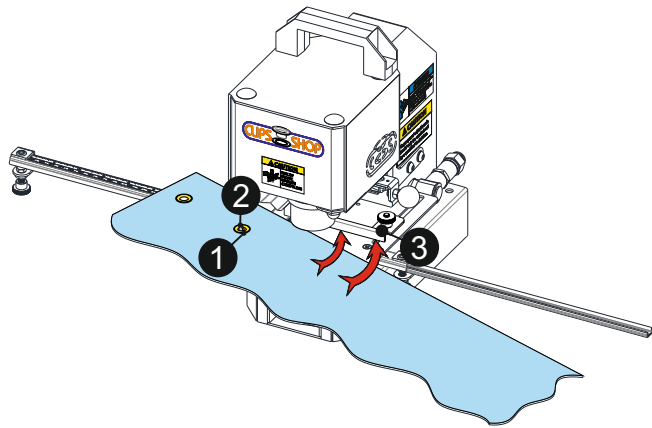


fig. 12

Lean your material's edge to the edge guide ③. Attach the first grommet. Poke this grommet through the grommet holder ②. Recline your material to the edge guide by sliding it as shown in the figure in arrow direction. Repeat these steps on the subsequent grommets ① you will attach.

10-4 Aligning the material with optional GrommetSniper™

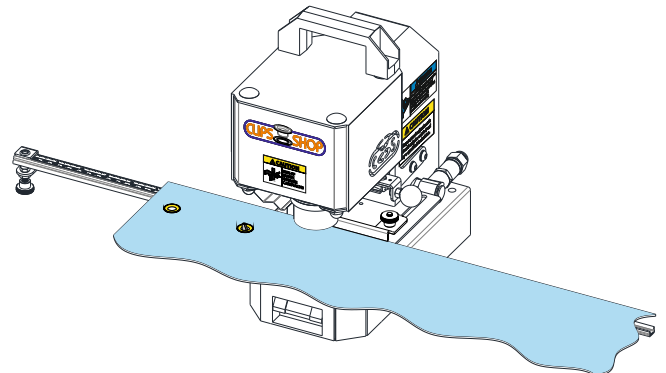


fig. 13

Appearance after alignment (fig.13).

Please refer to instruction manual of GrommetSniper™ (CSGSP-1 and CSGSP-2) for further instructions.

10-5 Start with Foot Pedal

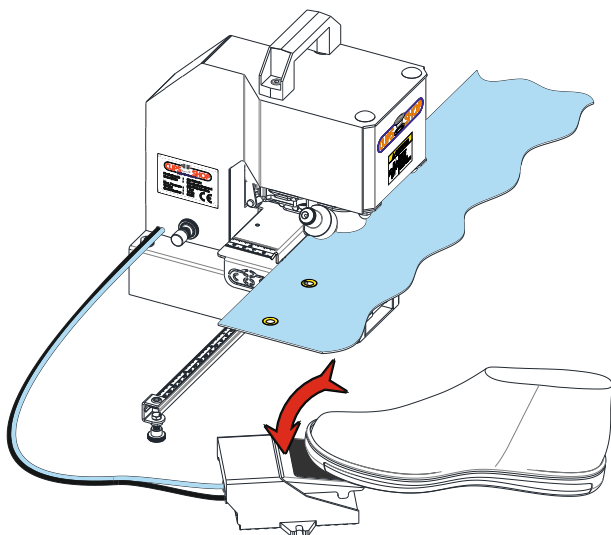


fig. 14

As shown in figure press the pedal with your foot to operate the machine CS-TIDY-51.

**Note:** Keep pressing the pedal long enough to securely fix the grommet. Once you release the pedal, it will stop immediately.

10-6 Manual Start

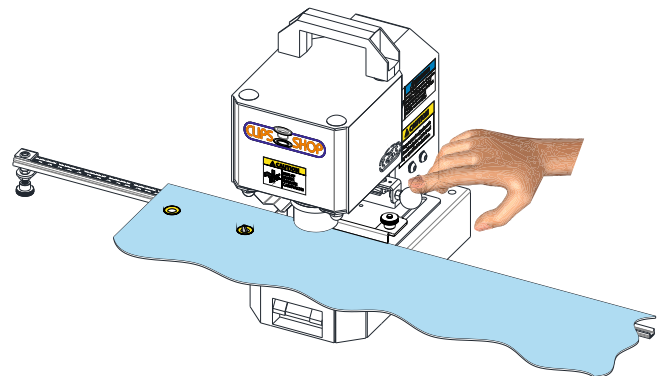


fig. 15

As shown in figure manually pull down the manual starting arm to operate the machine CS-TIDY-51

**Note:** Keep pulling the manual starting arm long enough to securely fix the grommet. Once you release the arm, it will stop immediately.

After keep pulling down/pressing the relevant starting mechanism long enough (1-2 seconds) to securely apply the grommet, you can release the starting mechanism and take out your material. You can repeat the procedure for the next grommet and washer application after you feed the machine with grommet and washer.

## 11. OPTIONAL ACCESORIES INSTALLATION ( CS-TIDY-51 )

### 11-1 GrommetSniper™ CSGSP-1 Installation

The GrommetSniper™ is an alignment fixture for ClipsShop™ machines that assures the precise alignment and spacing of grommets. There are two versions of this accessory. CSGSP-1 and CSGSP-2.

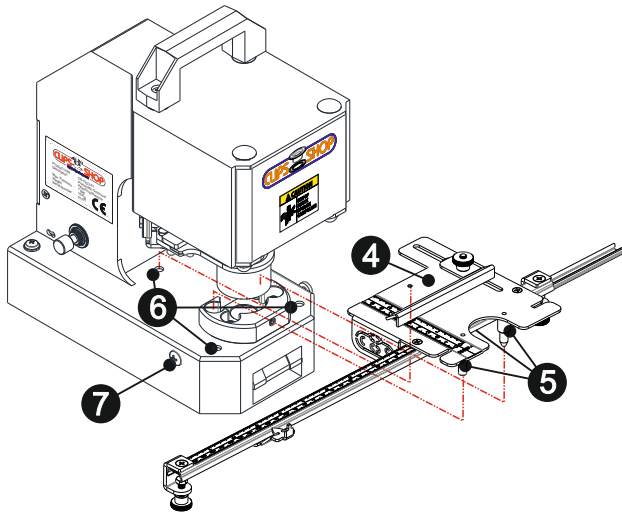


fig. 16

The GrommetSniper™ CSGSP-1 lets users precisely space grommets 5/8" to 3" (15 to 80 mm) from the edge of their substrate and uniformly locate the distance between grommets from 2-1/2" to 24" (55 to 600 mm).

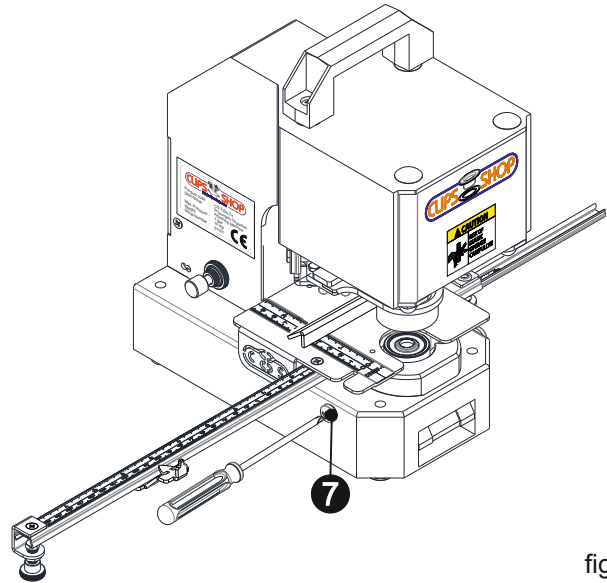


fig. 17

Remove the fixing screw 7 from the machine. Place the pins 4 of CSGSP-1 on the holes 6 of CS-TIDY-51 and tighten the fixing screw 7 as shown in (fig. 17).

Gently tighten it manually by pushing from top. After making sure that there is no tightness or irregular connection, tighten the fixing screw 7 with a Phillips-head screwdriver as shown in (fig.17).

**Note:** CSGSP-1 is suitable to be used with the application of #5.5 and smaller size grommets.

### 11-2 Large GrommetSniper™ CSGSP-2 Installation

The GrommetSniper™ features colorful inch and metric markings and it requires no special tools for ease of adjustment.

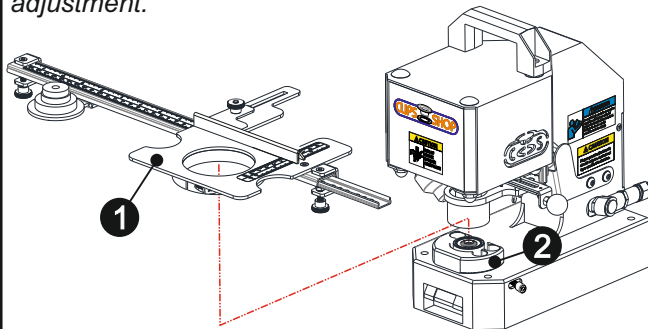


fig. 18

The Large GrommetSniper™ CSGSP-2 lets users precisely space grommets 3/4" to 3-1/2" (20 to 90 mm) from the edge of their substrate and uniformly locate the distance between grommets from 3-1/8" to 23-5/8" (78 to 600 mm).

**Important Note:** Lower die should be attached and fixed before the installation of CSGSP-2. With use of #7.5 and bigger size dies, CSGSP-2 is installed directly to the lower die. For #5.5 and smaller sizes, CSGSP-2 should be mounted to the lower die holder. "Lower die holder" should be read as "Lower Die" in case it is used with #7.5 and bigger size dies in the following explanations.

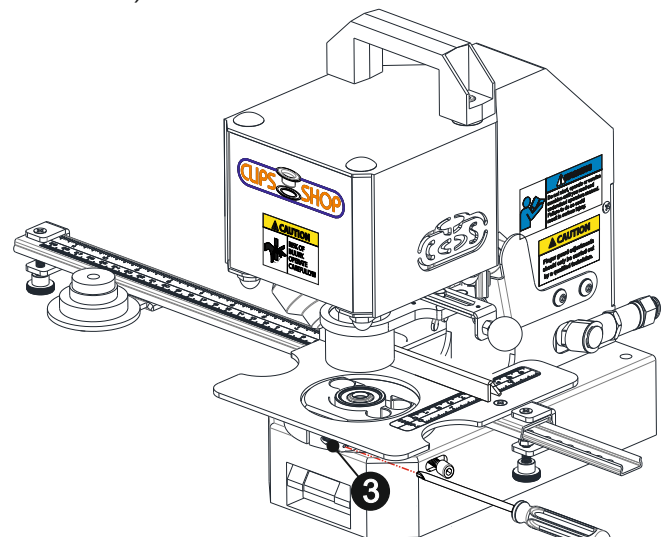


fig. 19

Carefully locate the CSGSP-2 1 on top of lower die holder 2 as shown in (fig. 18).

Gently tighten CSGSP-2 to the lower die holder and make sure their surfaces are at the same level. Then securely fix the screw 3 with a Phillips-head screwdriver to secure the connection as shown in (fig. 19).

Note: CSGSP-2 can be used with all sizes of grommets, especially recommended to be used with the application of #7.5 and bigger size grommets.

11. OPTIONAL ACCESORIES INSTALLATION ( CS-TIDY-51 )

11-3 GrommetSniper™ (optional) Y- Axis Alignment

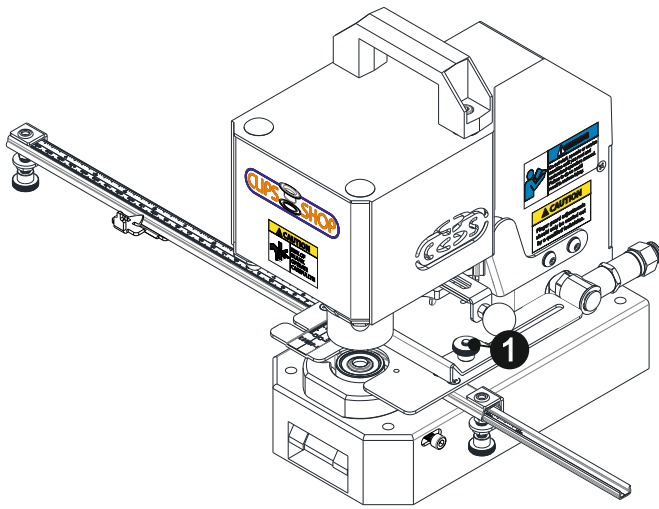


fig. 20

Loosen the edge guide adjustment screw ① of your CSGSP-1 or CSGSP-2 manually.

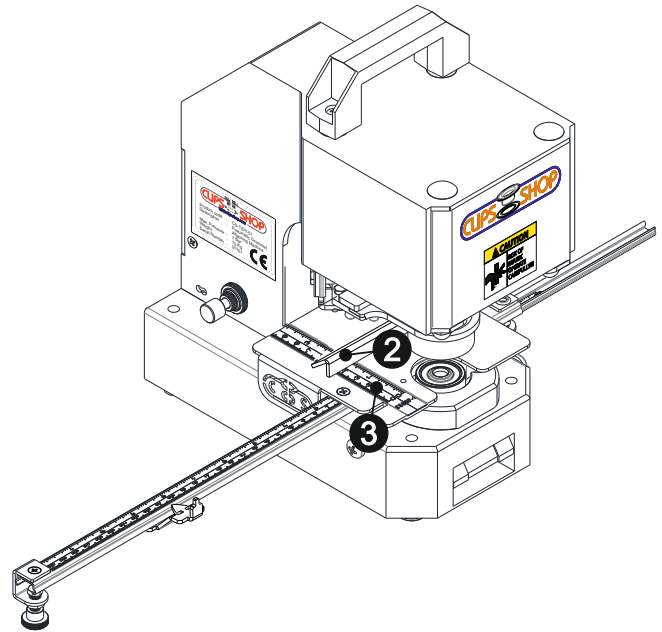


fig. 21

Adjust the edge guide ② to any dimension you want with the given limits through the to-and-fro ruler ③ and then tighten the screw manually.

11-4 GrommetSniper™ (optional) X- Axis Alignment

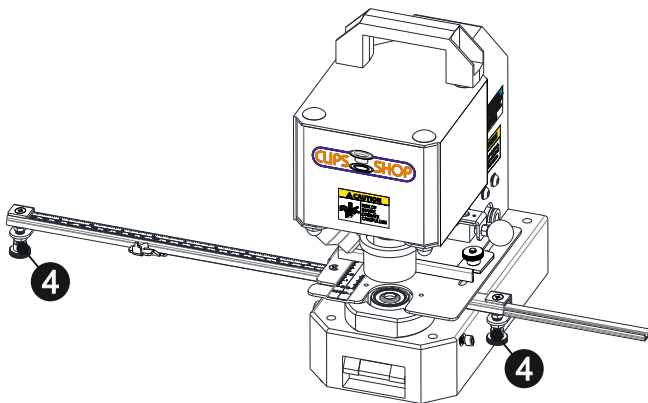


fig. 22

Loosen the guide fixing bolts ④ of your CSGSP-1 or CSGSP-2 manually.

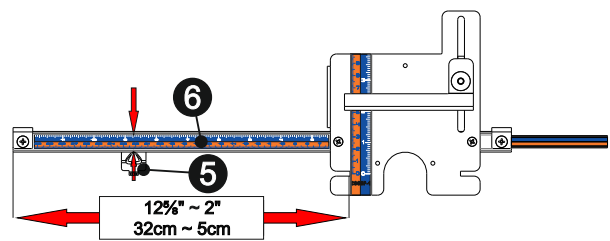


fig. 23

Adjust the grommet holder ⑤ position to required distance by reading the measurement on the ruler ⑥ and then tighten the appropriate guide fixing bolts ④ manually. Refer to the instruction manual of your GrommetSniper™ for further details.

## 11. OPTIONAL ACCESORIES INSTALLATION ( CS-TIDY-51 )

### 11-5 EyeleD™ Pointer Installation

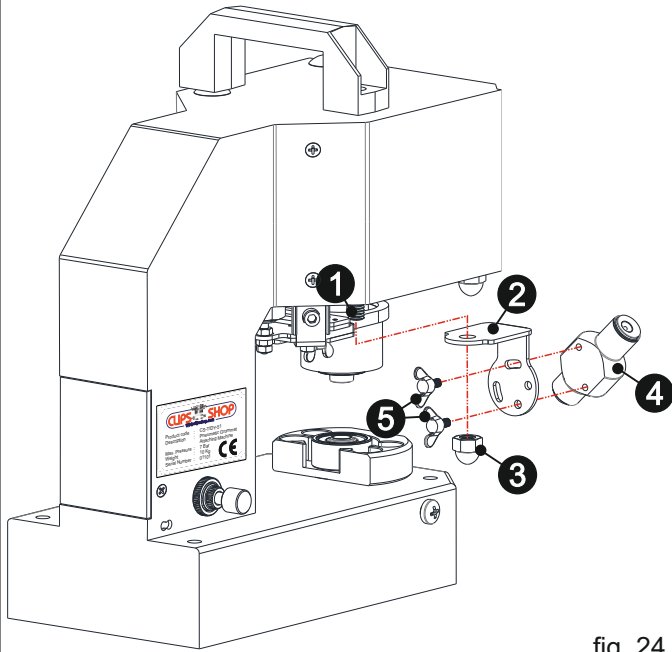


fig. 24

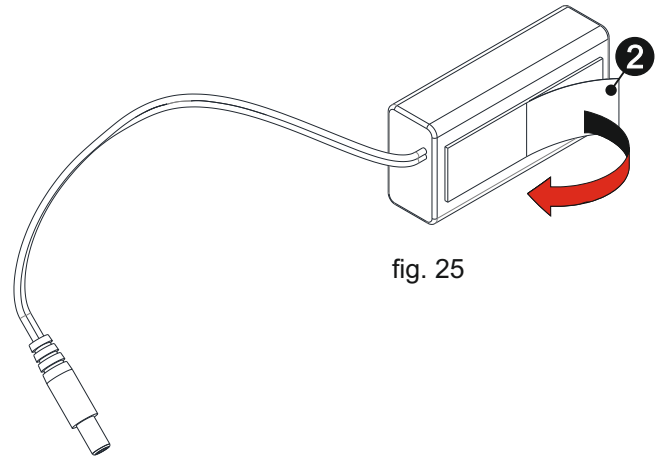


fig. 25

**Note:** EyeleD™ Pointer can be used with batteries or electricity adaptor. If you would like to use the EyeleD™ Pointer with the adaptor to be connected to the electricity only, you may skip following steps. Just plug in one side of the adaptor to the electricity and the jack plug to the socket at the rear of the EyeleD™ Pointer.

Remove the nut ③ with the tool comes with your machine. Poke the bracket ② through the bolt ① and fix it with the nut ③. Install EyeleD™ Pointer to the bracket ② with the screws ⑤. **Note:** You can install the EyeleD™ Pointer to the right or left side of the machine. But the manual start arm shall be in the opposite direction of EyeleD™ Pointer.

**Note:** Before proceeding this step, first clean the surface of the machine from dust and oil that you will adhere the battery box to.

Insert 2x AA size batteries by opening the battery box.

Remove the outer layer ② of double sided adhesive.

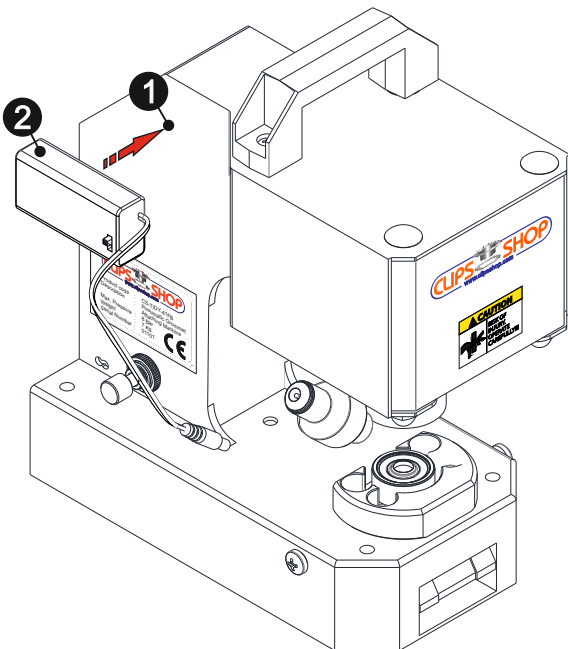


fig. 26

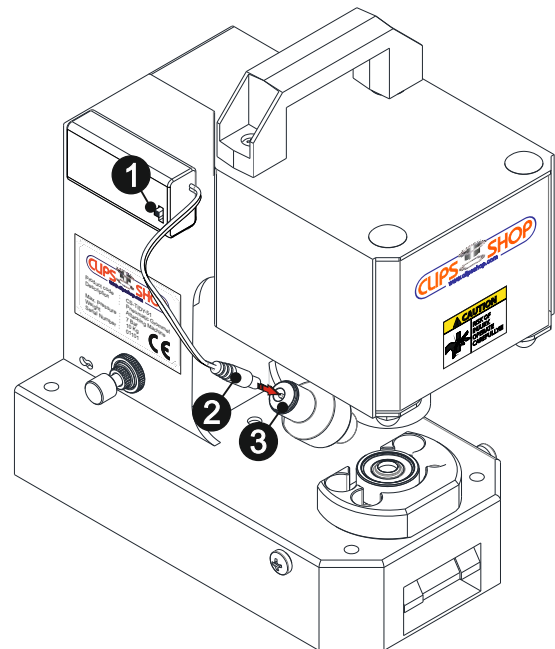


fig. 27

Locate the battery box ② to the pre cleaned area ① and keep pushing it to the machine for around 15 seconds to securely adhere it.

Make sure the "on/off switch" ① is set to "off" mode. Install the jack plug ② coming from the battery box to the socket ③ at the rear side of the EyeleD™ Pointer.

## 11. OPTIONAL ACCESORIES INSTALLATION ( CS-TIDY-51 )

### 11-6 EyeleD™ Pointer Adjustment

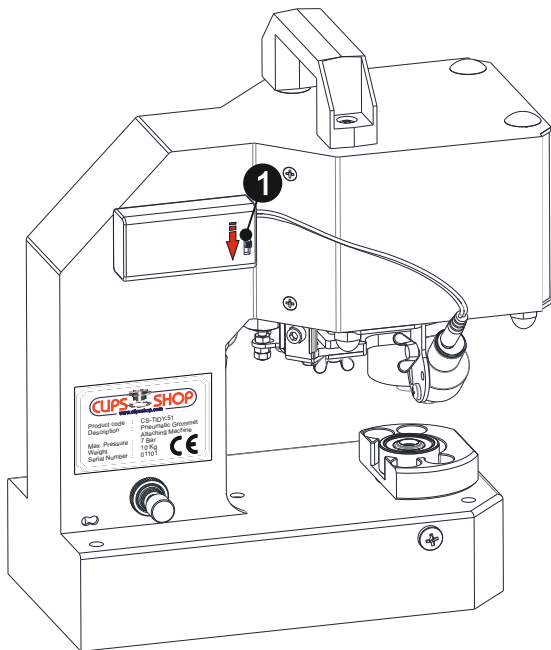


fig. 28

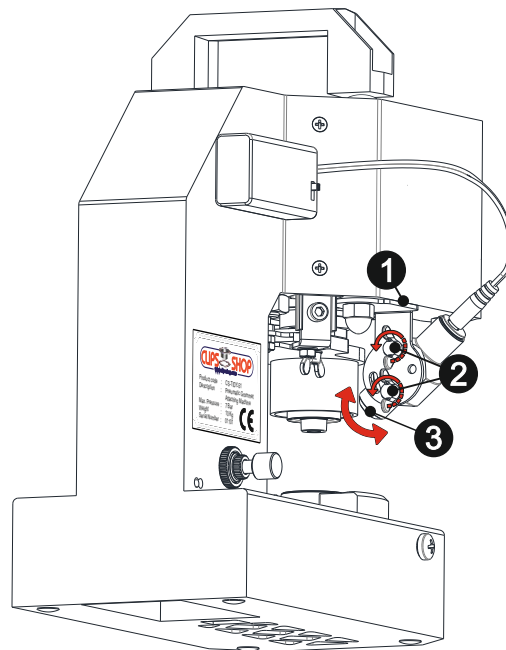


fig. 29

Switch the key on the battery box to “on” position. (If you are using the electricity adaptor, plug in the adaptor). Make sure light dot appears.

Make sure the bracket's edge 1 is in parallel to the machine body. (in certain cases you may rotate the position of EyeleD pointer from this bracket as well.) Loosen the wing bolts 2 by rotating them in the arrow direction. You can adjust the position of the light dot by rotating the EyeleD pointer 3 to the right or left in arrow direction as shown in (fig. 29).

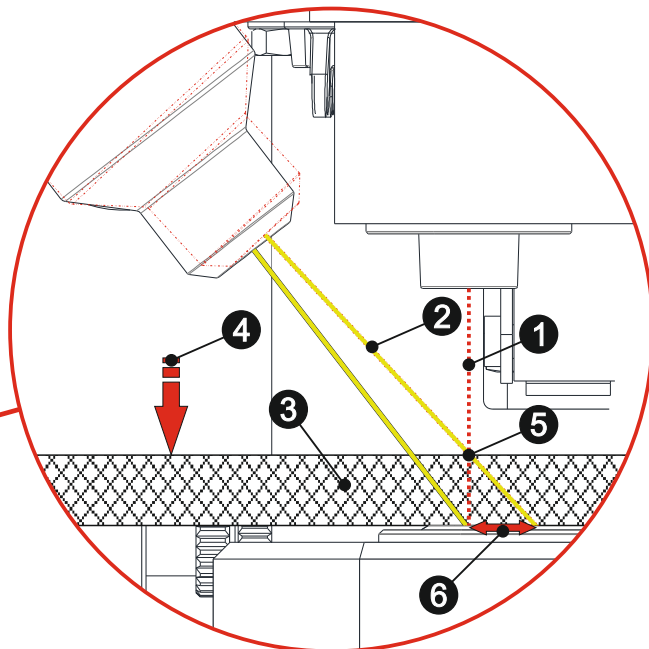
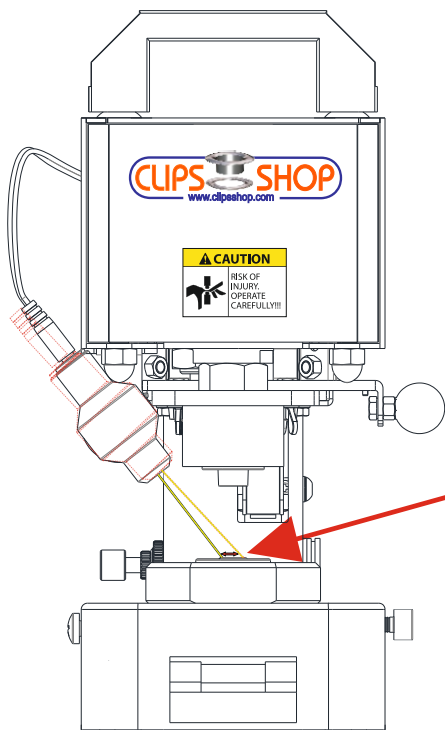


fig. 30

The position of EyeleD's light dot 2 should be adjusted per the thickness of your material 3. This position shifts from the die center line 1 in a distance 6 depending on the top level 4 of your material 3.

Locate your material 3 on the top die. By rotating the position of the EyeleD pointer to the right or left, adjust the EyeleD pointer in a way that its light 2 corresponds to the junction 5 of the top level 4 of you material 3 and the die center line 1. Once it is adjusted, fix its position by tightening the wing bolts.

## 11. OPTIONAL ACCESORIES INSTALLATION ( CS-TIDY-51 )

### 11-7 Mobile Cart Installation

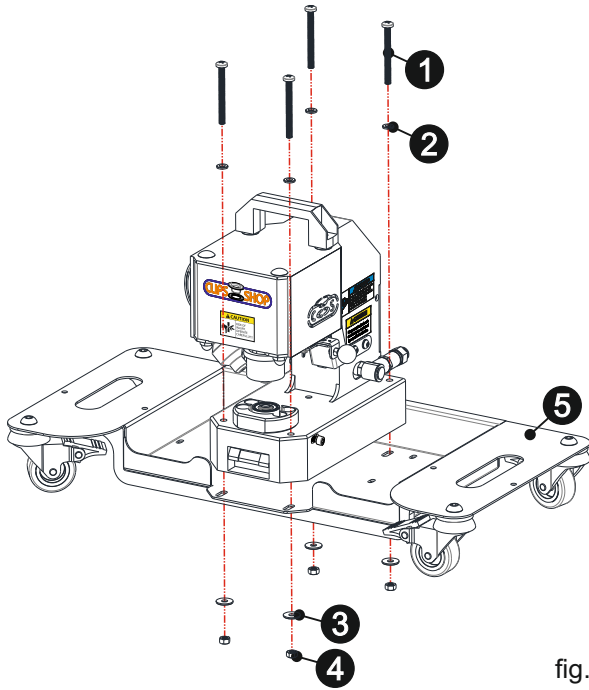


fig. 31

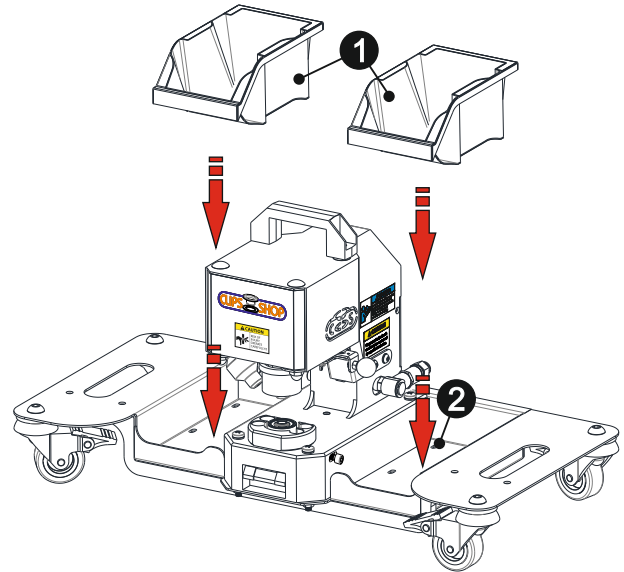


fig. 32

Locate the machine on the mobile stand. First poke the bolts **1** through the washers **2**. Then poke them through the machine and the mobile stand **5**. Install the washer **3** and nut **4** from the bottom manually and fix the nuts **4** with a suitable wrench.

Install the storage bins **1** to the holes **2** on the mobile unit.

**Note:** Mobile Stand can be used with all versions of CS-TIDY-Series

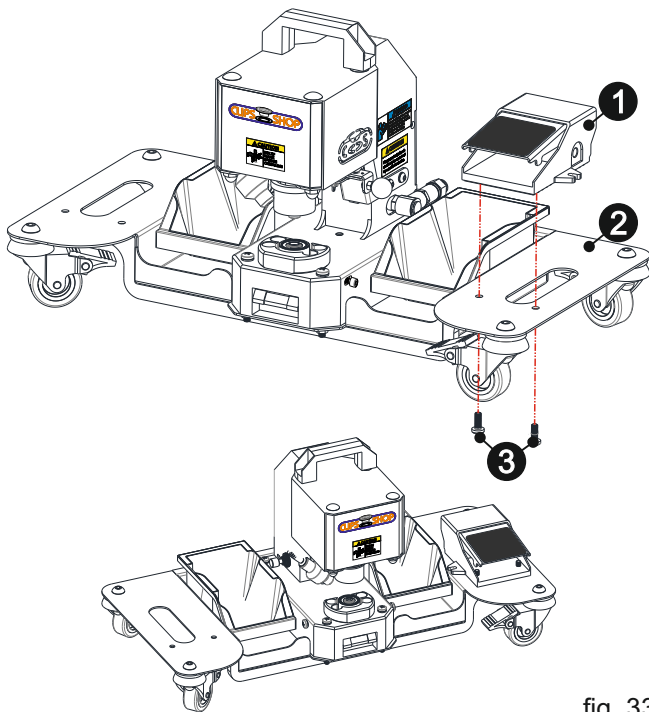


fig. 33

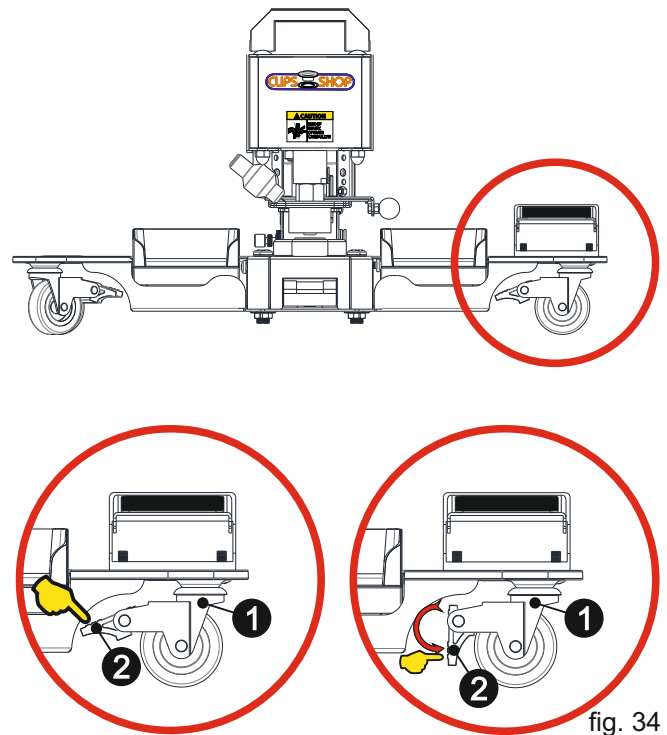


fig. 34

Locate the foot pedal **1** on the flap of the mobile unit **2**. Install the foot pedal by fixing it with the screws **3**.

**Note:** Foot pedal can be installed to the right of left side of the mobile unit.

Lock the brake lever **2** of the casters **1** with your hand or feet by pushing downwards. Lock at least three casters to prevent the movement of the unit.

**Note:** Apart from the times you need to move the unit, keep the casters locked all times.

## 11. OPTIONAL ACCESORIES INSTALLATION ( CS-TIDY-51 )

### 11-8 FRL(Filter-Regulator-Lubricator) Accessory Inst.

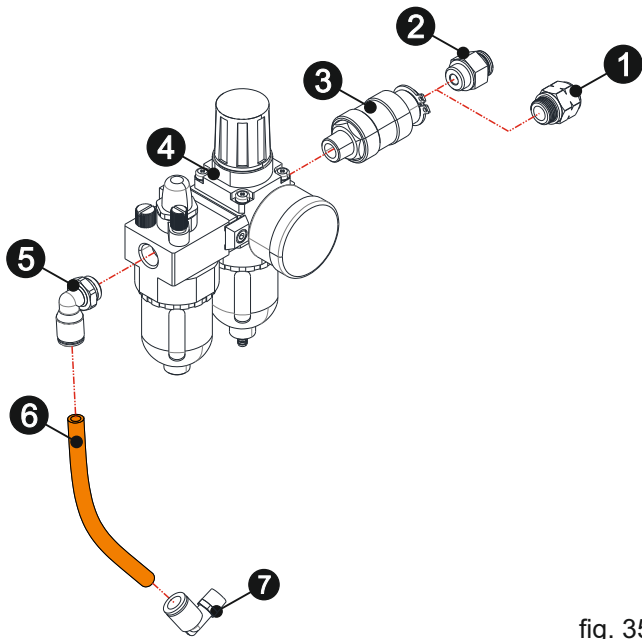


fig. 35

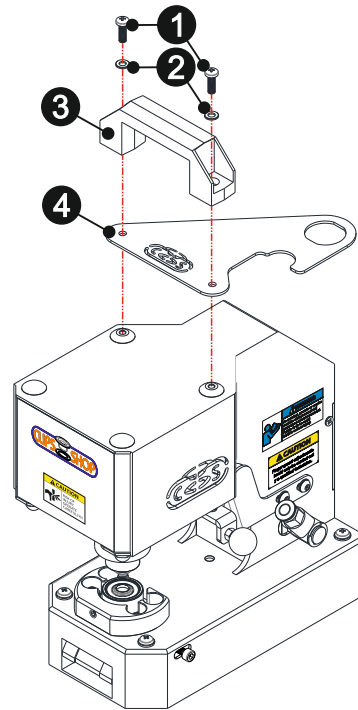


fig. 36

**Install the appropriate connector as per your own hose end coming from your compressor.**

\*Fitting 2 is for 8 mm air hose entrance.

\*The air input side of the Slide Valve 3 has 1/4" BSPP threads.

\*The air input side of the reducer 1 has 1/4" NPT threads.

Remove the handle 3 of your machine with a Philips head screwdriver. Locate the metal connection plate 4 of the accessory under the handle's original position. Poke the screws 1 through the washers 2, the handle 3 and the connection plate 4 respectively. Then install them to the machine's threaded screws with screwdriver.

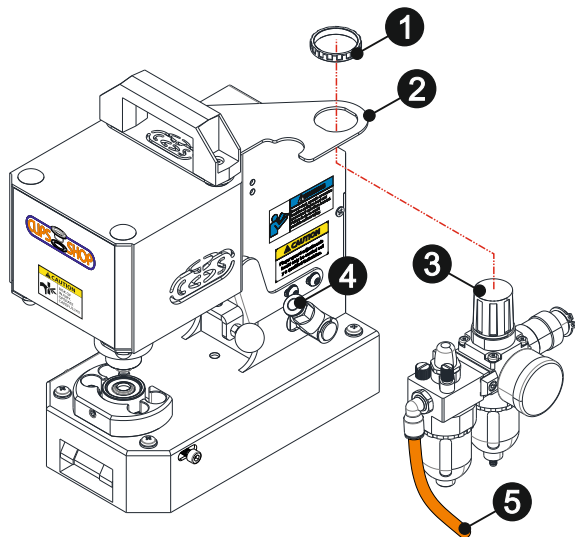


fig. 37

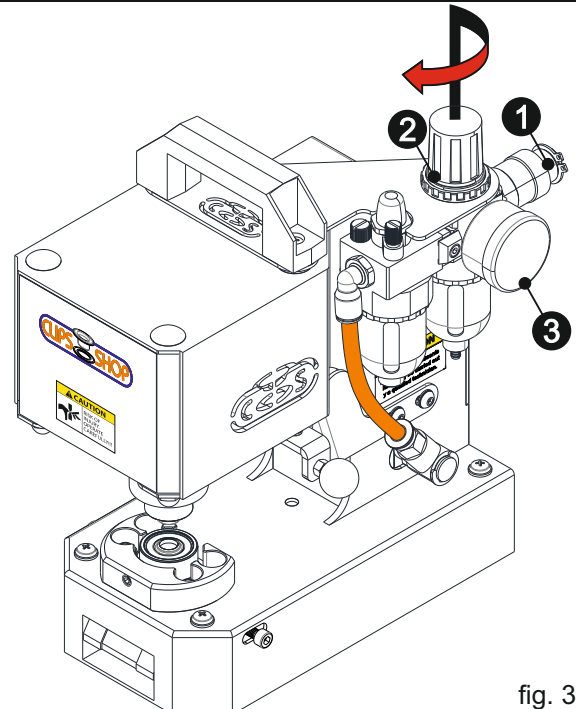


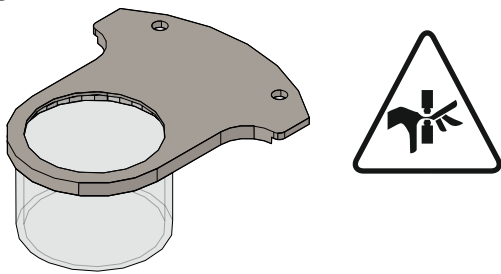
fig. 38

Remove the mounting nut 1 from the regulator. Poke the regulator head 3 through the hole on the mounting plate 2 and fix it in position by installing the mounting nut 1 to the head of the regulator 3. Install the hose 5 of the accessory to the 8 mm quick connect fitting on the air entrance of your machine. Note: You may shorten the hose 5 as long as it is long enough to connect the air entrance of the machine with the accessory.

Add ISO Vg32 type oil to the lubricator. Connect your hose coming from your compressor to the slide valve 1 (or to the preferred adaptor). Make sure there is air coming to the machine. Pull the head 2 of the regulator upwards and adjust the air pressure coming to the system by rotating the head. You can check the pressure level from the manometer 3.

## 12. INSTALLATION OF VARIOUS DIE SETS ( CS-TIDY-51 )

### 12-1 Finger Guard Installation



#### CAUTION

#### Important Note:

AFTER CHANGING THE FINGER GUARD SIZE, YOU SHALL FOLLOW THE PROCEDURES AGAIN DESCRIBED UNDER THE TITLE "CS-TIDY-51 Finger Guard Adjustment"

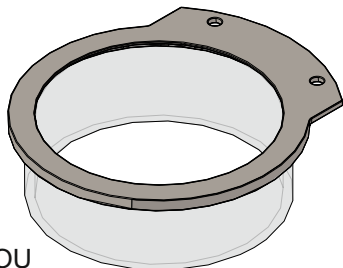


fig. 39

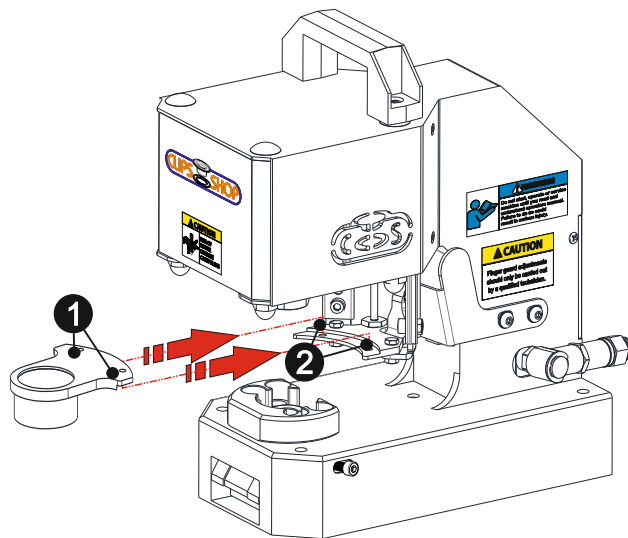


fig. 40

Depending on the die set you would like to use with your CS-TIDY-51, you may need to change the finger guard size. Refer to "Die Compatibility Guide" section and choose the required size of finger guard based on your grommet size accordingly die selection. The machine does not come with alternative sizes of finger guards so contact your dealer to purchase the required tools.

Manually tighten the overhangs ① of the finger guard to the slots ②.

**Note:** If there is an existing finger guard on your machine, then follow the procedures in reverse order to remove the existing finger guard first.

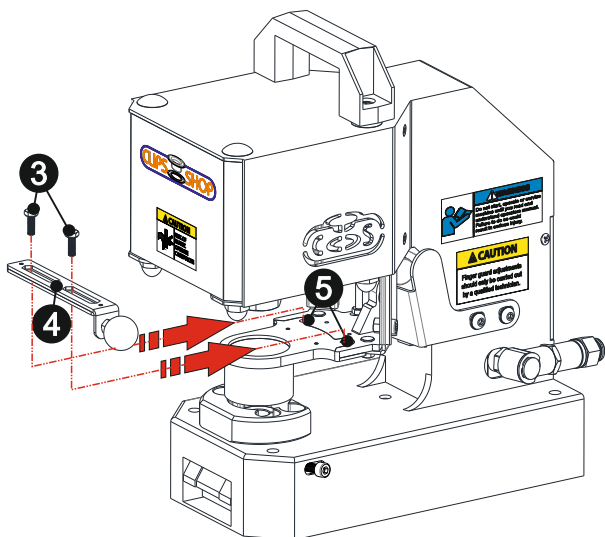


fig. 41

Locate the manual start arm ④ on to the overhangs ⑤ of the finger guard. Poke the bolts ③ through the manual starting arm ④ and the overhangs ⑤ of the finger guard.

**Note:** You can install the manual start arm with its knob facing right or left.

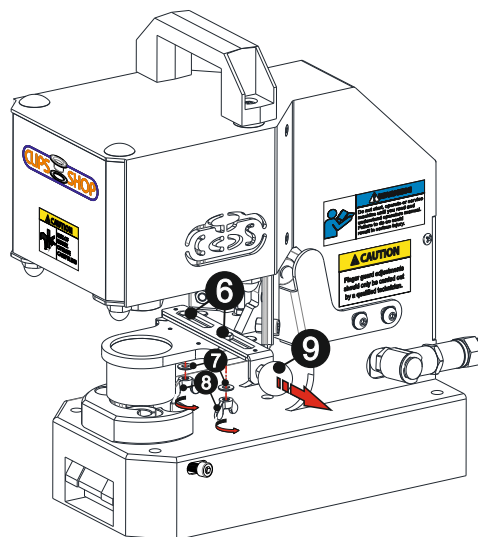


fig. 42

First poke the washers ⑦ through the bolts ⑥, then slightly tighten them manually with the wing nuts ⑧. Pull the knob ⑨ of the manual start arm through the channel, and then securely fix the bolts ⑥ with the wing nuts ⑧.

## 12. INSTALLATION OF VARIOUS DIE SETS ( CS-TIDY-51 )

### 12-2 Upper Die Adaptor Installation

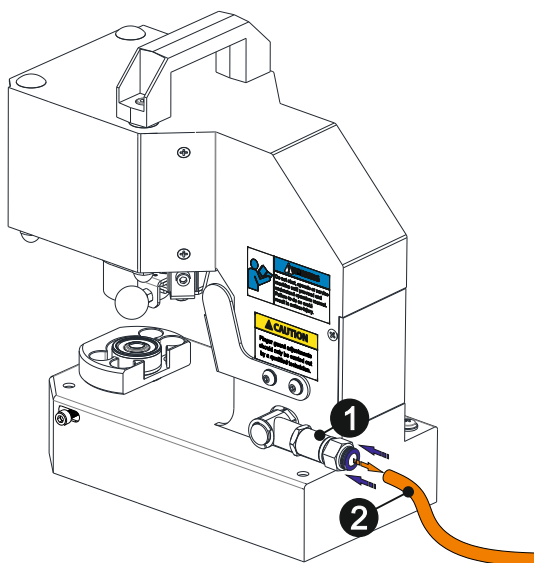


fig. 43

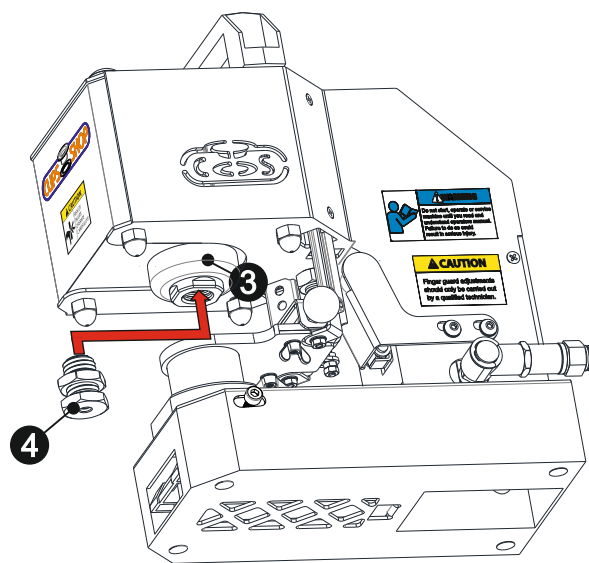


fig. 44



Shut down your air source and unplug the air hose from the machine. In order to unplug the air hose from the machine, push the blue part on the air entrance ❶ to the machine direction and while doing that pull the air hose ❷ at arrow direction as shown in above (fig. 43).

**NOTE:** The upper die adaptor is required to be removed or installed depending on the type of the die set you use with the machine. Please refer to Dies Compatibility Guide for detailed information.

Locate the upper die adaptor ❹ to the shaft center ❸.

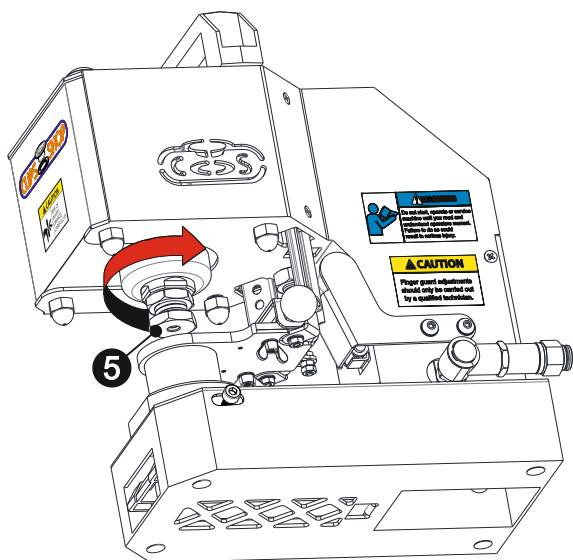


fig. 45

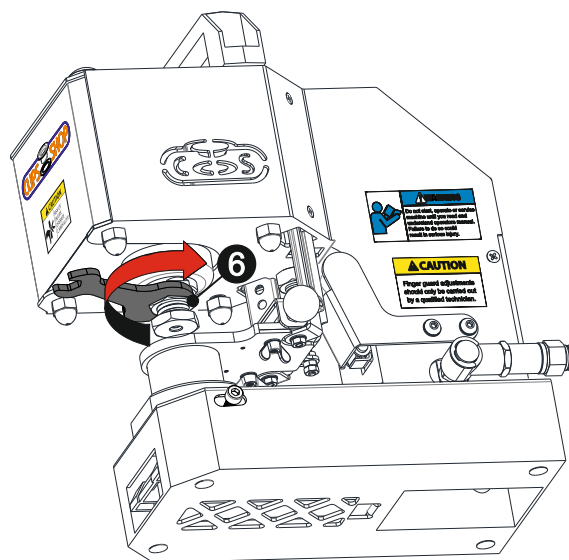


fig. 46

Install the upper die adaptor ❹ by rotating it in the arrow direction as shown in above (fig. 45).

Please refer to "Upper Die Height Adjustment" section of the manual for proper installation.

Securely fix it with the wrench ❻ comes with the machine. *Note: Be sure that the upper die adaptor is securely fixed to the shaft and the upper die is securely fixed to the die adaptor at all times. During a production run check that the upper die has not loosened from the die adaptor. Using the machine with a loose upper die can damage the threads of the die and the die adapter.*

## 12. INSTALLATION OF VARIOUS DIE SETS ( CS-TIDY-51 )

### 12-3 Die Installation (For self-piercing grommets)

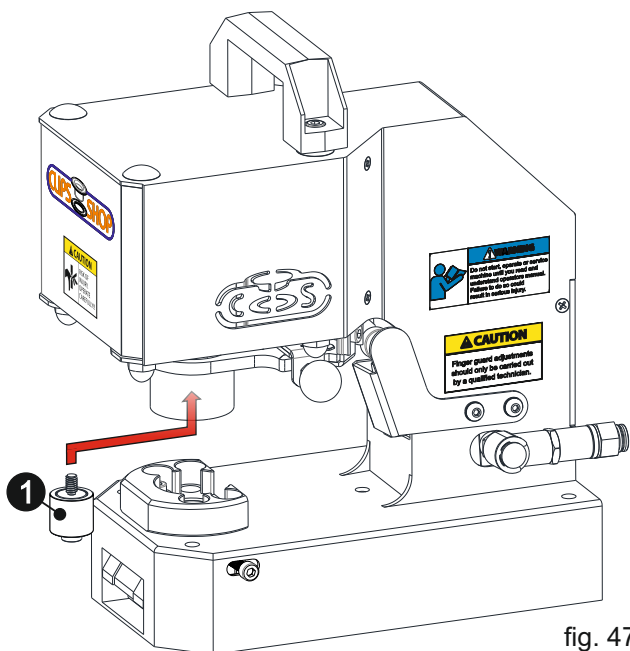


fig. 47

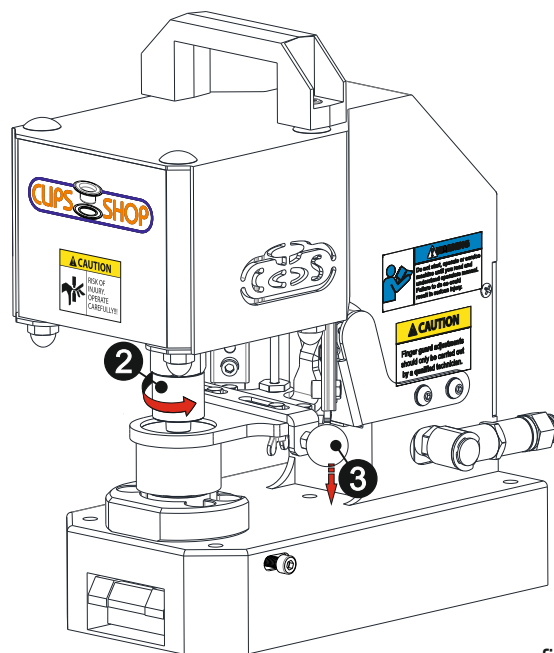


fig. 48

Locate the upper die ① to the upper die holder/shaft center\* manually.

**Note:** \*Most types of the die sets are installed to the upper die holder. Depending on the die type you use (i.e. plastic grommet dies, the upper die can be installed to the shaft directly after removing of the upper die adaptor. Please refer to “Die Compatibility Guide” and “Installing the upper die adaptor” sections for further reference.

Pull down the manual starting arm ③ to access the upper die. Securely fix the upper die ② to the upper die holder/shaft manually. *Note: Be sure that the upper die adaptor is securely fixed to the shaft and the upper die is securely fixed to the die adaptor at all times. During a production run check that the upper die has not loosened from the die adaptor. Using the machine with a loose upper die can damage the threads of the die and the die adaptor.*

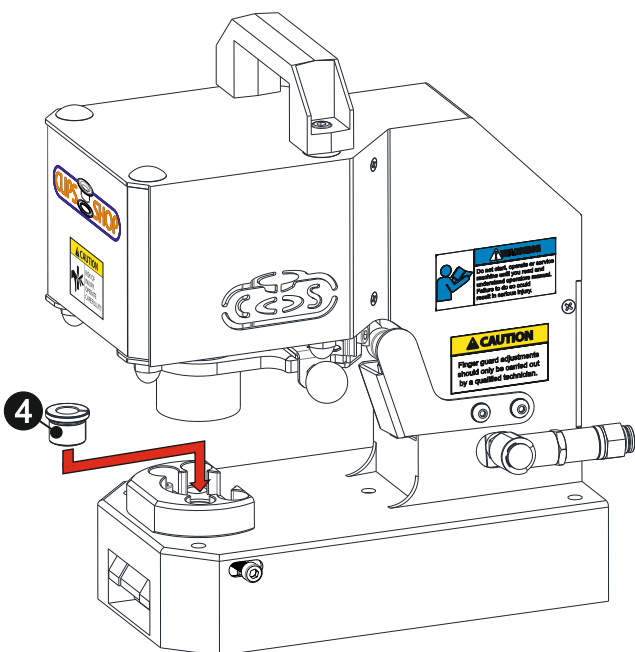


fig. 49

Place the lower die bush ④ into the lower die holder by making sure its cut part faces machine's rear part.

**Note:** Lower die bush ④ is used on the installation of certain die types only. For many types of die sets (such as CS-TIDY specific die sets), you can skip this step. Please refer to “Die Compatibility Guide” section for further reference.

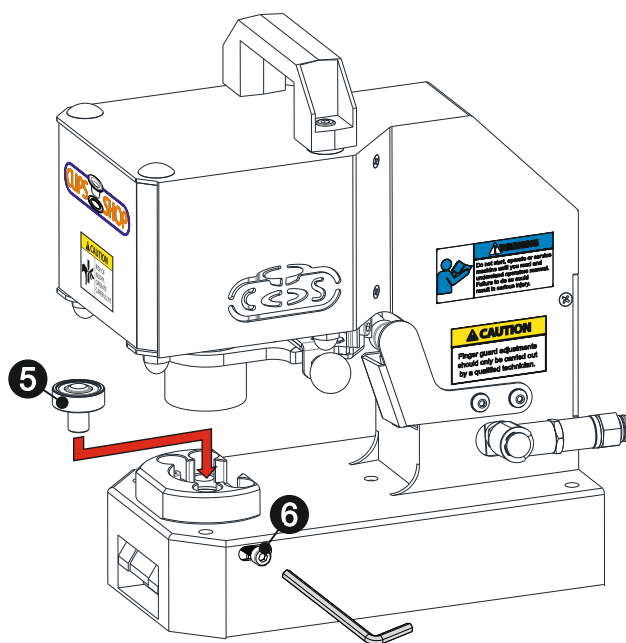


fig. 50

Depending on the type of die set you would like to install, insert the lower die ⑤ into the the die bush or into the lower die holder. Fix the lower die by tightening the screw ⑥ with a allen key.

## 12. INSTALLATION OF VARIOUS DIE SETS ( CS-TIDY-51 )

### 12-4 Large Size Die (for Curtain Eyelets) Installation

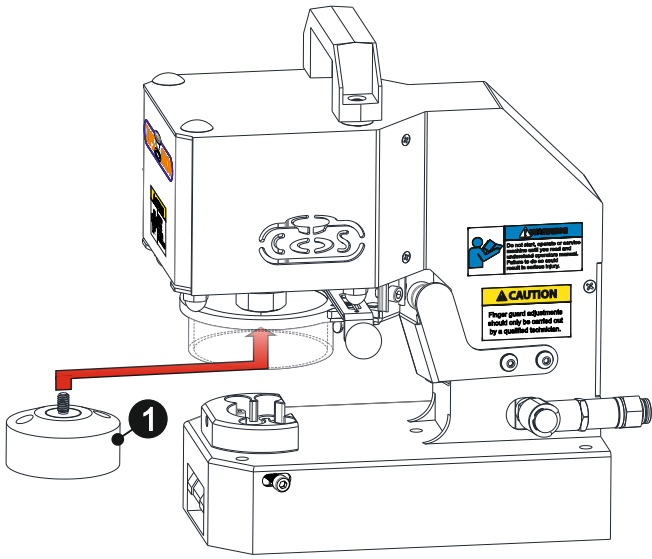


fig. 51

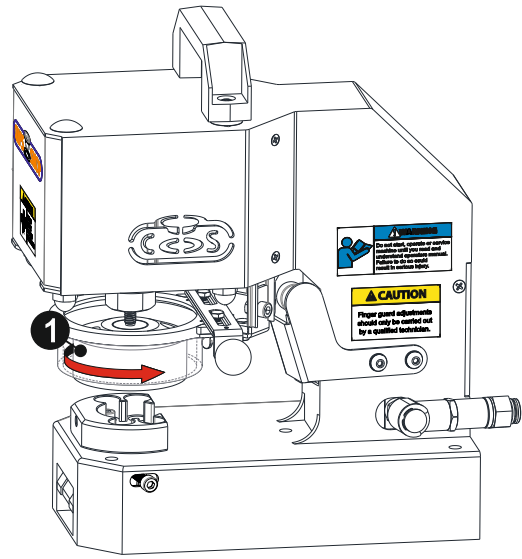


fig. 52

Make sure there is no air in the system and the acrylic safety guard is the correct one to fit to large size installation. Please refer to “Accessories Compatibility Guide” section for further information.

Attach the upper die ❶ to the upper die adaptor by manually rotating.

Once the acrylic safety guard blocks, pull the manual starting mechanism downwards to access the upper die ❶ to securely fix it.

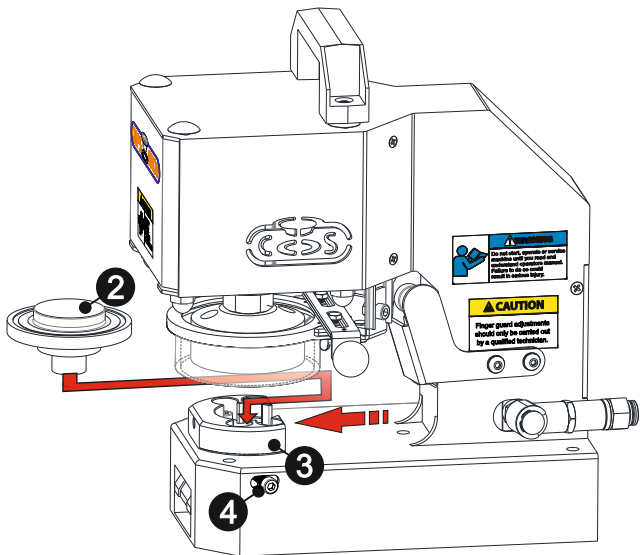


fig. 53

In case there is lower die bushing installed in the lower die holder ❸, first loosen the fixing screw ❹ and remove the lower die bushing. Then, install the lower die ❷ into the lower die holder ❸ by locating it from the back side of the lower die holder.

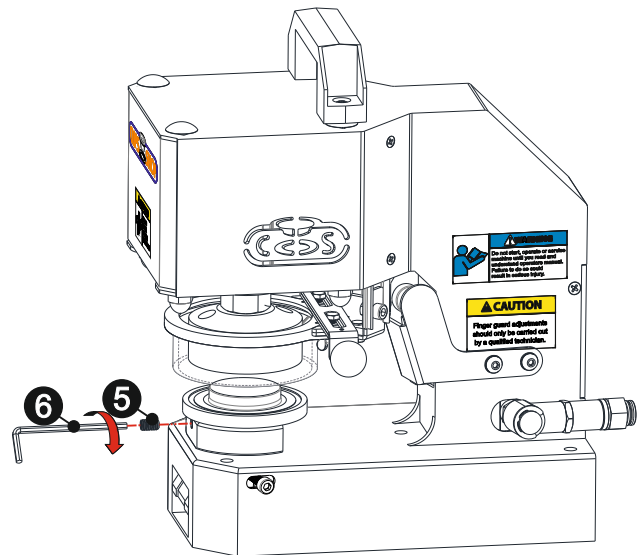


fig. 54

Securely fix the set screw ❺ with the 3mm Allen key ❻ to stabilize the position of the lower die.

### 13. STANDARD ADJUSTMENT ( CS-TIDY-51)

#### 13.1 The Die Alignment



Precise alignment of die sets is crucial to obtain excellent grommet application results. Due to environmental conditions, transportation issues etc. factory alignment settings may change by time and it is recommended to check the alignment of the lower and upper die sets regularly, especially in case of die changes or a problem is observed on the grommet attachment.

**Note: 1) Be sure that the die adapter is securely fixed to the shaft and the upper die is securely fixed to the die adapter at all times. During a production run check that the upper die has not loosened from the die adapter. Using the machine with a loose upper die can damage the threads of the die and the die adapter.**

**2) Before attaching the upper die, you may use an allen wrench to ensure the small set screw on the die is tightly secured.**

**3) When removing the upper die be careful not to remove or loosen the die adapter.**

**4) Do not disassemble the die. The small black Allen screw should not be loosened or the die will come apart. If pieces are lost or not put together in the correct order then the die will not work. If you notice that the Allen screw is loose then it should be tightened.**

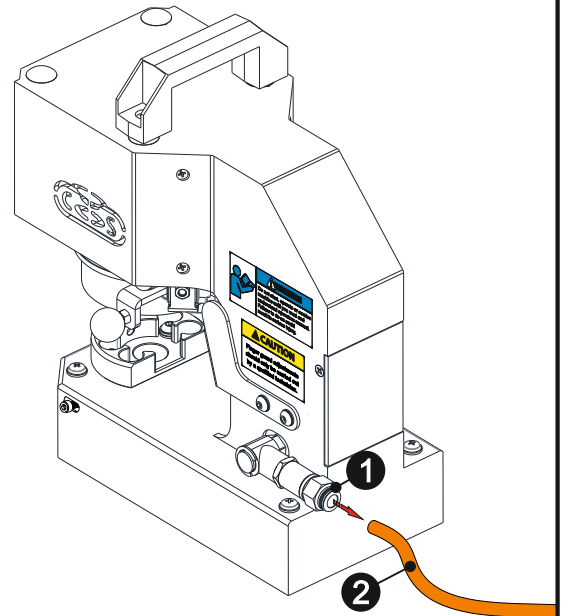


fig. 55



Shut down your air source and unplug the air hose from the machine. In order to unplug the air hose from the machine, push the blue part on the air entrance **1** to the machine direction and while doing that pull the air hose **2** at arrow direction as shown in (fig. 55).

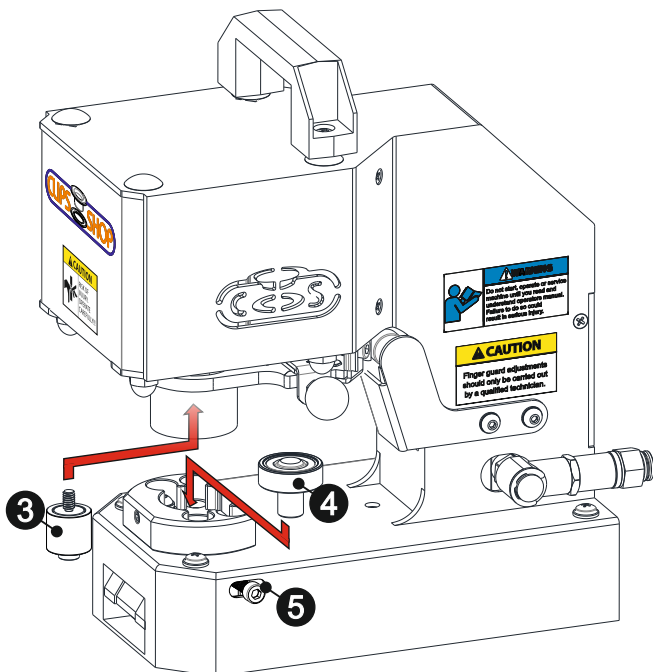


fig. 56

Insert the upper die **3** to the die adaptor/shaft by rotating manually or with a suitable wrench as shown in (fig. 56). Insert the lower die **4** into the lower die holder and secure its position by tightening the screw **5** with a screwdriver.

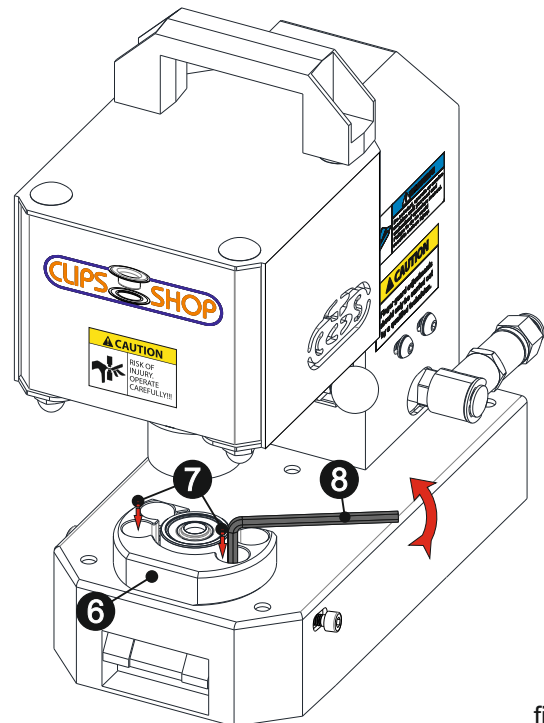


fig. 57

Loosen the fixing Allen screws **7** located inside the lower die holder **6** with a suitable Allen wrench **8**.

### 13. STANDARD ADJUSTMENT ( CS-TIDY-51)

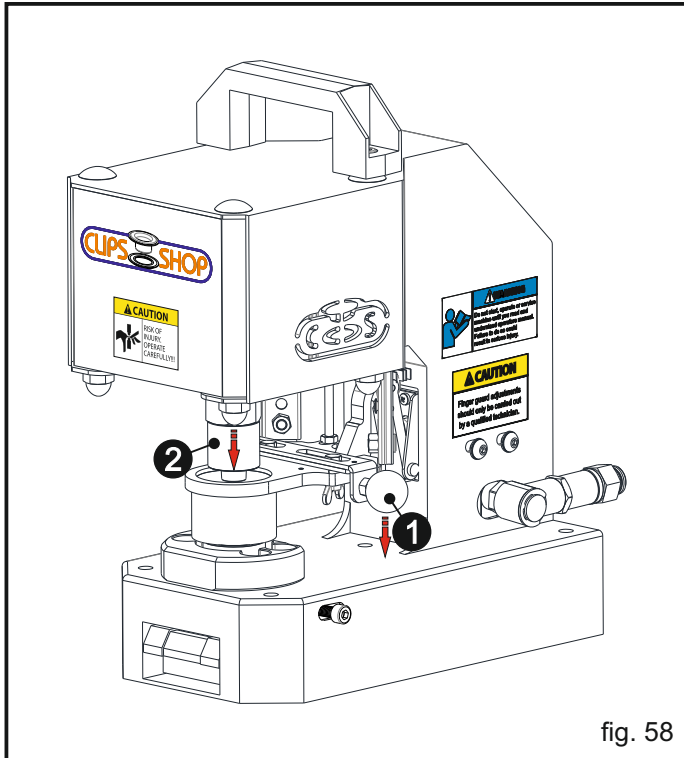


fig. 58



#### Important note:

In case the CS-TIDY-41 has not been used for a while or if it is the first use, it could be necessary to operate the machine a single time with pneumatic pressure in order to get rid of a possible oil jam in the machine, to let you pull the shaft manually to align the die set. Please remember that the operation of machine without grommet loading can damage the die set significantly. Therefore, either make this single time application while the die is not inserted or with grommet on a material unless there is a significant misalignment observed.

Pull the manual start handle ⑥ downwards to access the shaft. Then manually pull down the shaft by holding from the upper die ⑦.

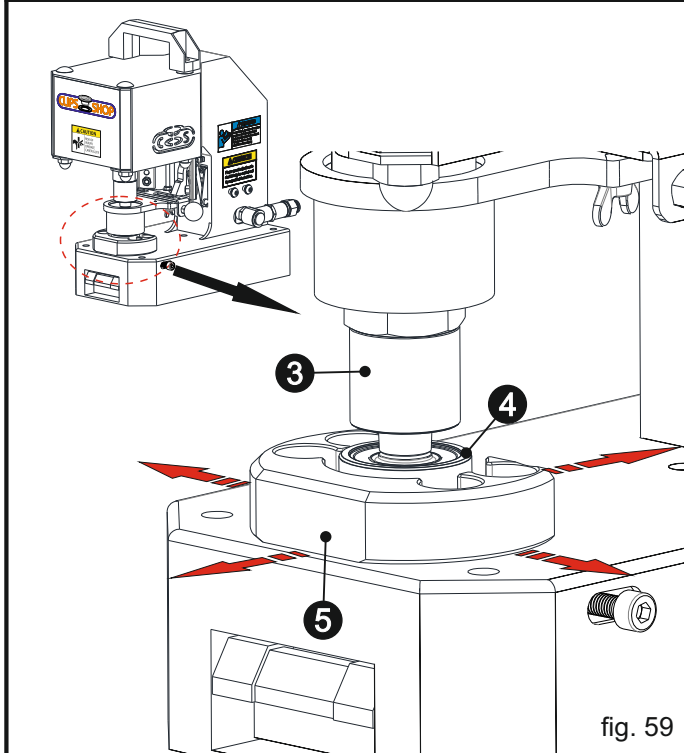


fig. 59

Keep pulling the upper die ③ till it touches to the lower die ④ and visually observe their alignment. By moving the lower die holder ⑤ to left, right, front and back, adjust it to the appropriate location by making sure the upper and lower dies are perfectly aligned.

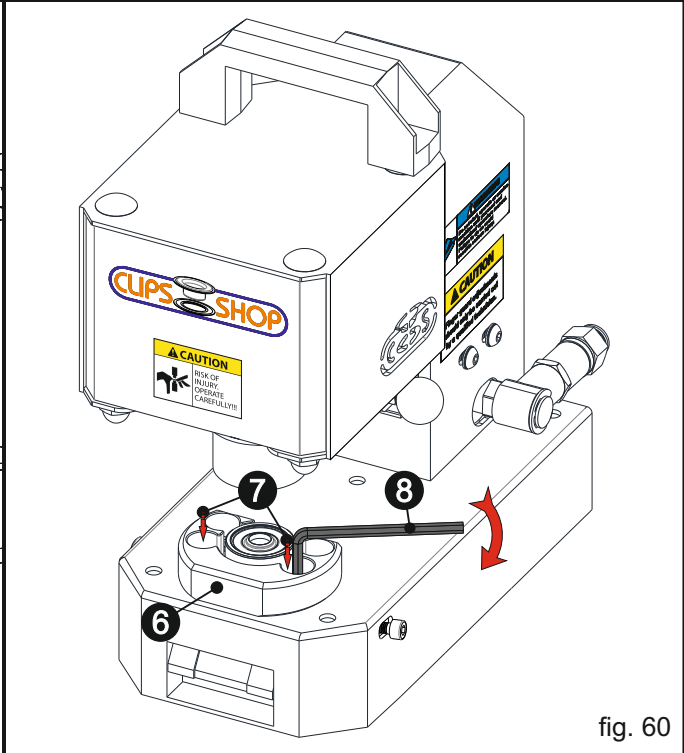


fig. 60

Securely fix the Allen screws ⑥ located inside the lower die holder ⑦ with a suitable Allen wrench ⑧.

### 13. STANDARD ADJUSTMENT ( CS-TIDY-51)

#### 13-2 Finger Guard Adjustment

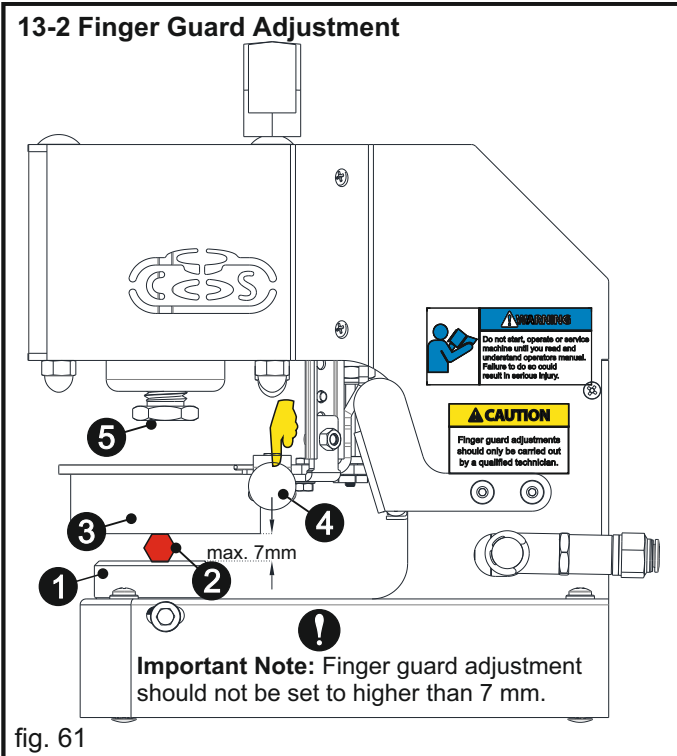


fig. 61

After making the air connection of the CS-TIDY-51, locate a pencil 2 which is not thicker than 7 mm on the lower die holder 1. Pull down the manual start arm 4 slowly. Once the acrylic safety guard 3 touches the pencil 2, the die adapter 5 should not move down (or very slowly move down). If it works in full speed, then you should apply the following procedures.

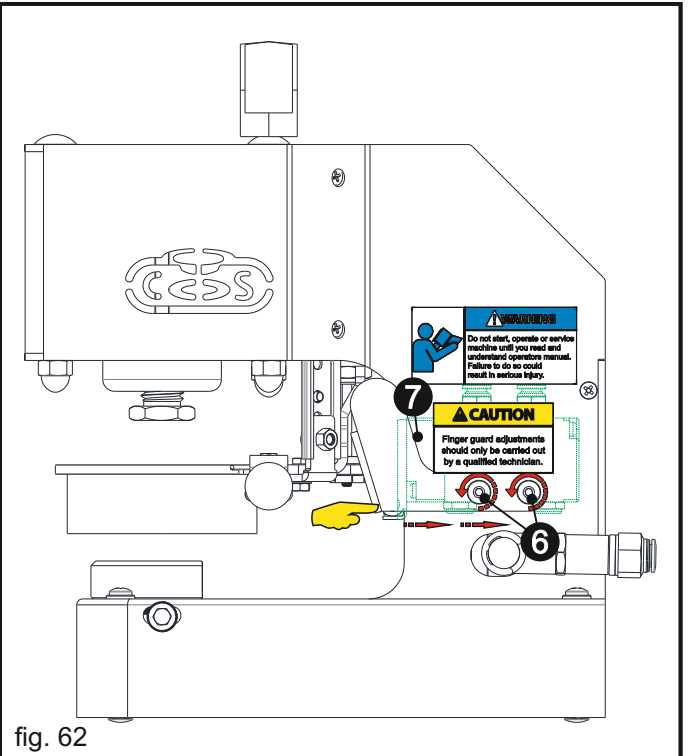


fig. 62

Loosen the Allen screws 6 with an appropriate key. Push the valve 7 to the rear side of the machine slightly. Tighten the Allen screws 6 and repeat the test shown in (fig. 62). **The machine should only work when the distance between the acrylic safety guard and lower die is in 0-6 mm range.** If the safety adjustments are still not set, follow the procedures illustrated in (fig. 61).

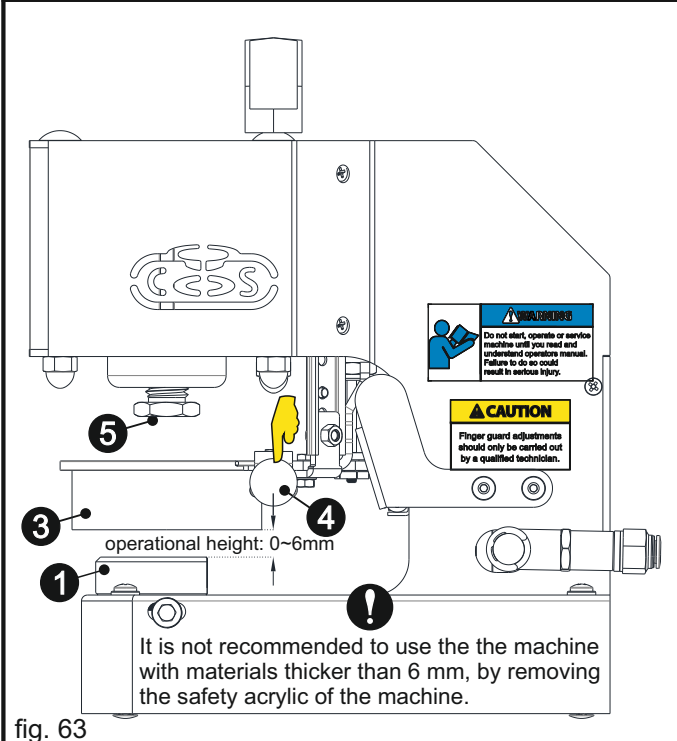


fig. 63

Pull down the manual start arm 4 slowly. Though the acrylic safety guard 3 gets closer than 6 mm to the lower die holder 1, if the die adapter 5 does not move down, then follow the procedures illustrated in (fig. 63) after double checking the machine is connected to air source and there is pressurized air in the system.

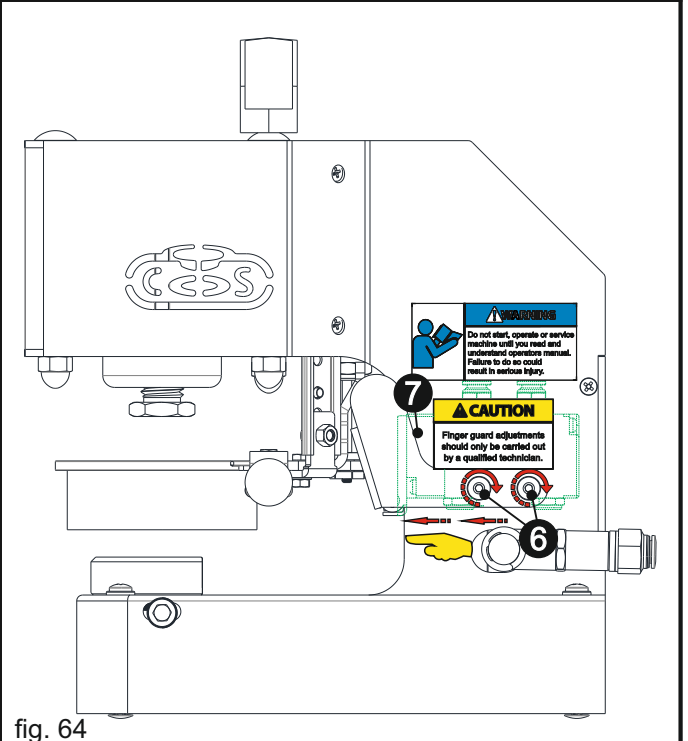


fig. 64

Loosen the allen screws 6 with an appropriate key in the arrow direction. Pull the valve 7 to the front side of the machine. Securely tighten the allen screws. Repeat the safety controls illustrated in (fig. 64).

13. STANDARD ADJUSTMENT ( CS-TIDY-51)

13-3 Finger Guard Speed Adjustment

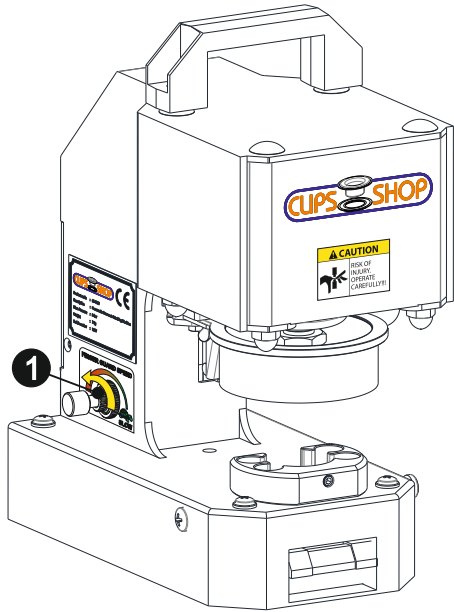


fig. 65

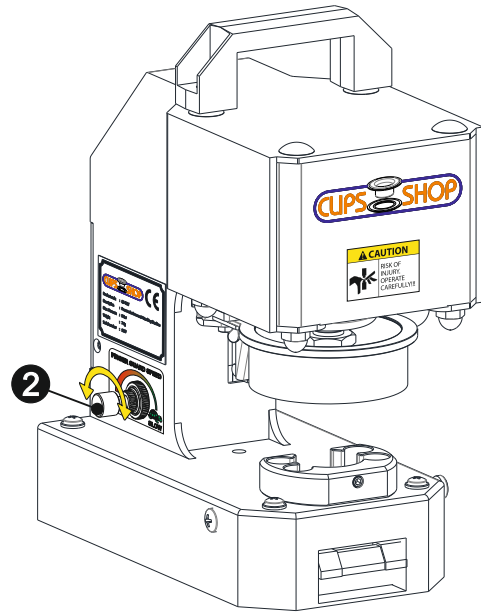


fig. 66

Loosen the speed adjustment fixing nut 1 by manually rotating in arrow direction.

To decrease and increase the speed of the finger guard, rotate the speed adjustment button 2 clockwise and counter-clockwise respectively. The rabbit and turtle images there will guide you.

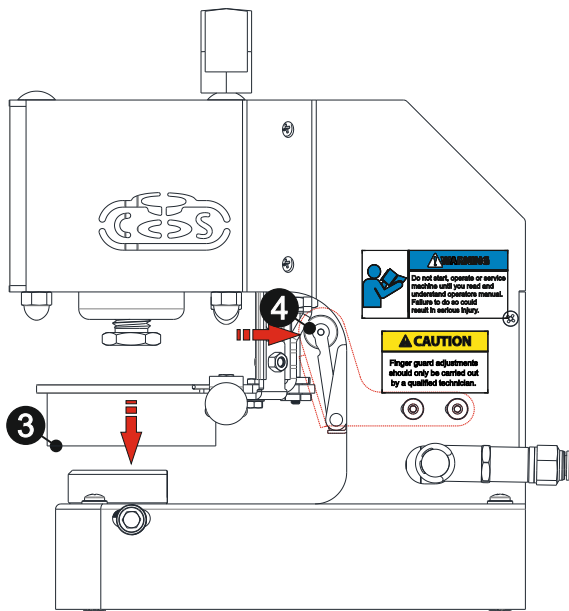


fig. 67

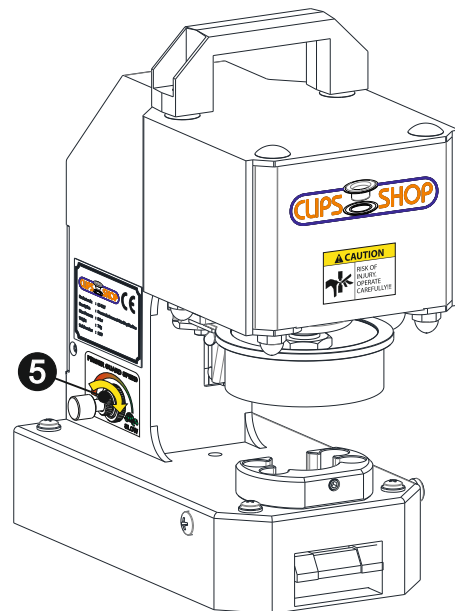


fig. 68

**Notes on the finger guard speed adjustment:**

If you increase the speed of the finger guard too much, the acrylic guard 5 may hurt your hand in case of a crash. If you set the speed of the finger guard too low, the starting mechanism may not be able to generate the required force to press the valve 4 which starts the machine and eventually your machine may not start.

After the completion of the speed adjustment, tighten the speed adjustment fixing nut 5 by manually rotating it in arrow direction.

## 14. UPPER DIE ADAPTOR HEIGHT ADJUSTMENT ( CS-TIDY-51 )

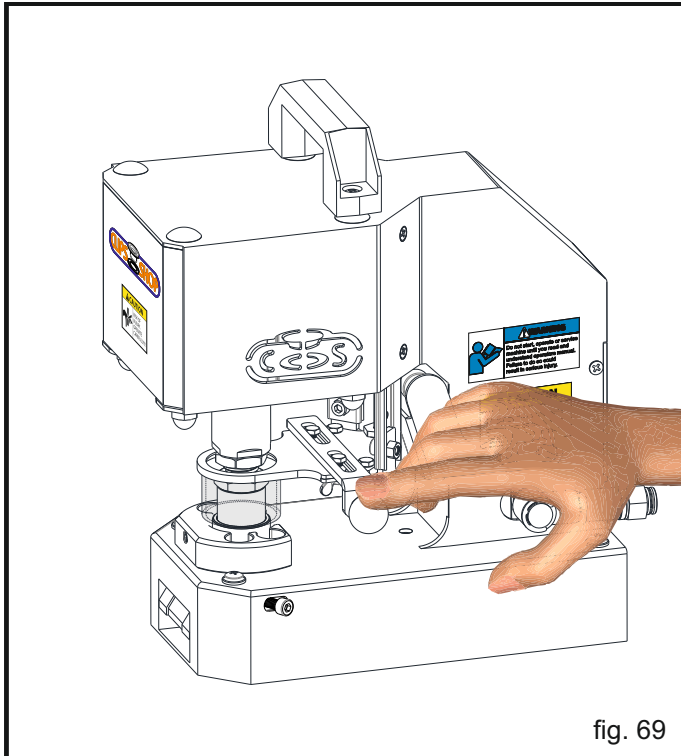


fig. 69

Pull down the manual starting handle till the shaft gets to the lowest position.

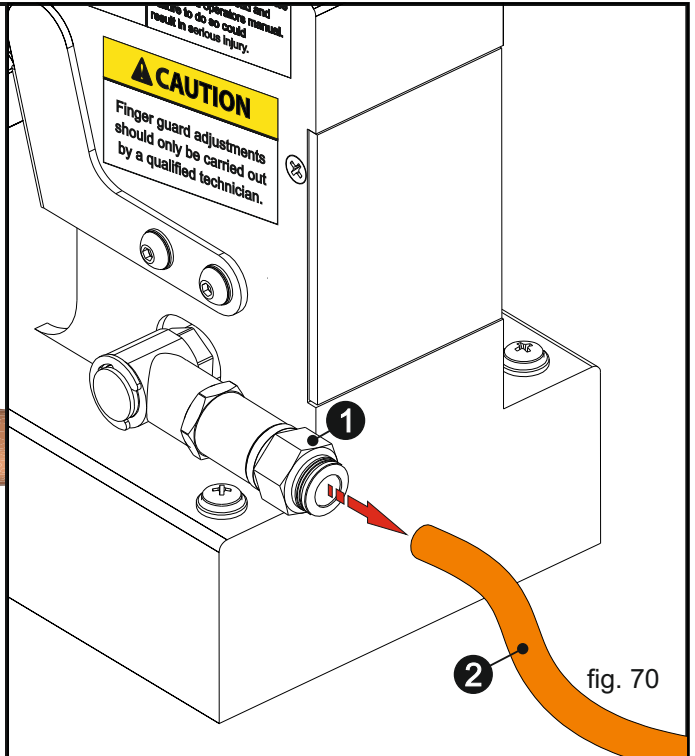


fig. 70

While the shaft stays at the lowest position, shut down your air source and unplug the air hose from the machine. In order to unplug the air hose from the machine, push the blue part on the air entrance 1 to the machine direction and while doing that pull the air hose 2 at arrow direction as shown in (fig. 70).

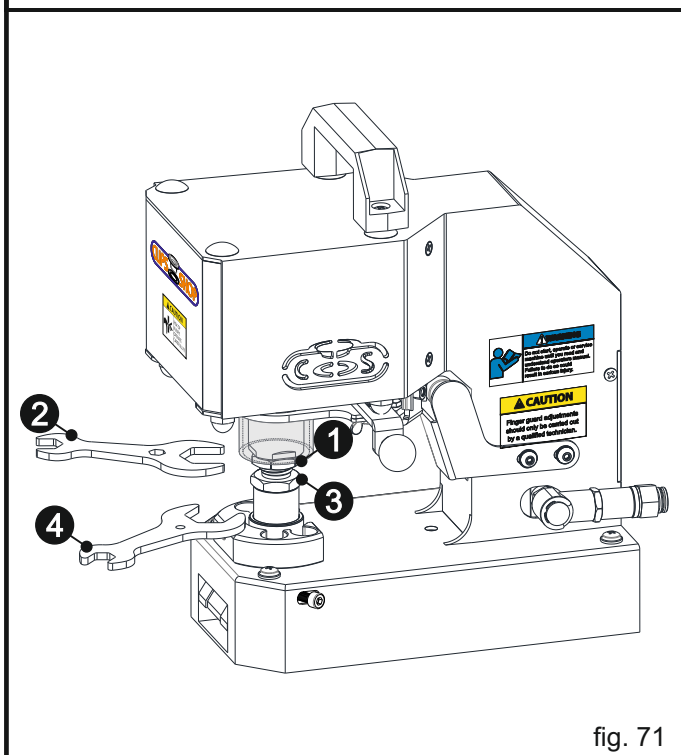


fig. 71

Place the wrenches 2, 4 that come with the machine on upper die adaptor 3 and its nut 1. By keeping the wrench 4 on the upper die adaptor still, loosen the nut 1 by rotating the other wrench 2. Then rotate the upper die adaptor 3 with the wrench 4 to adjust the required height.

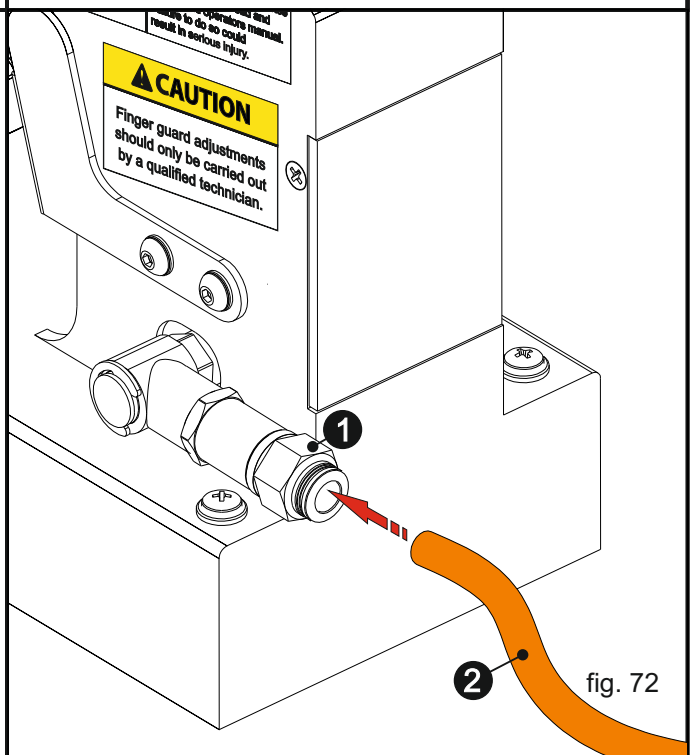
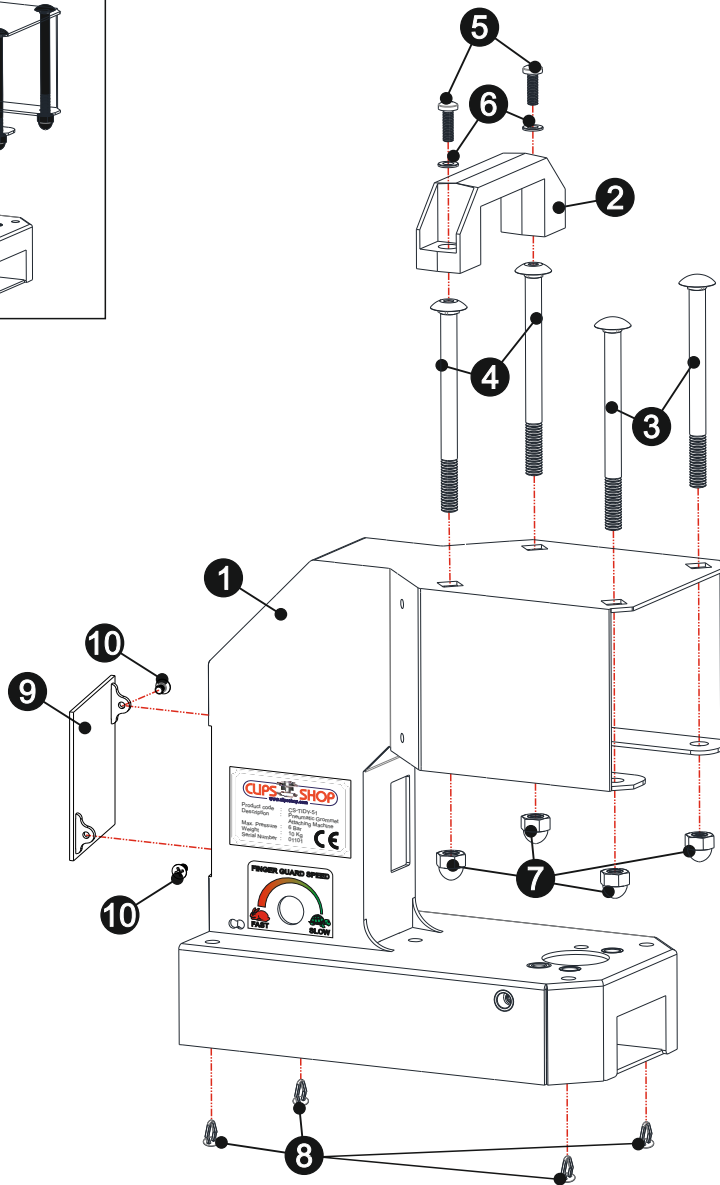
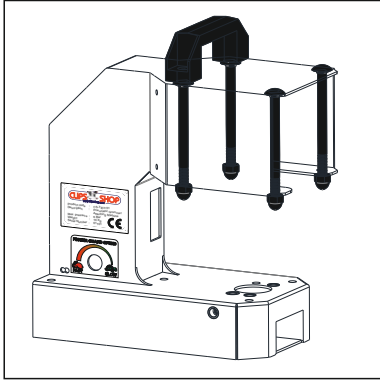


fig. 72

Install the hose 2 coming from your compressor to the main air entrance 1 of the machine. Then by starting the machine, test whether the adjusted height is proper for your project. If not, readjust the height by following the instructions in the previous step. Once the adjustment is made properly, tighten the nut of the adaptor and keep using the machine.

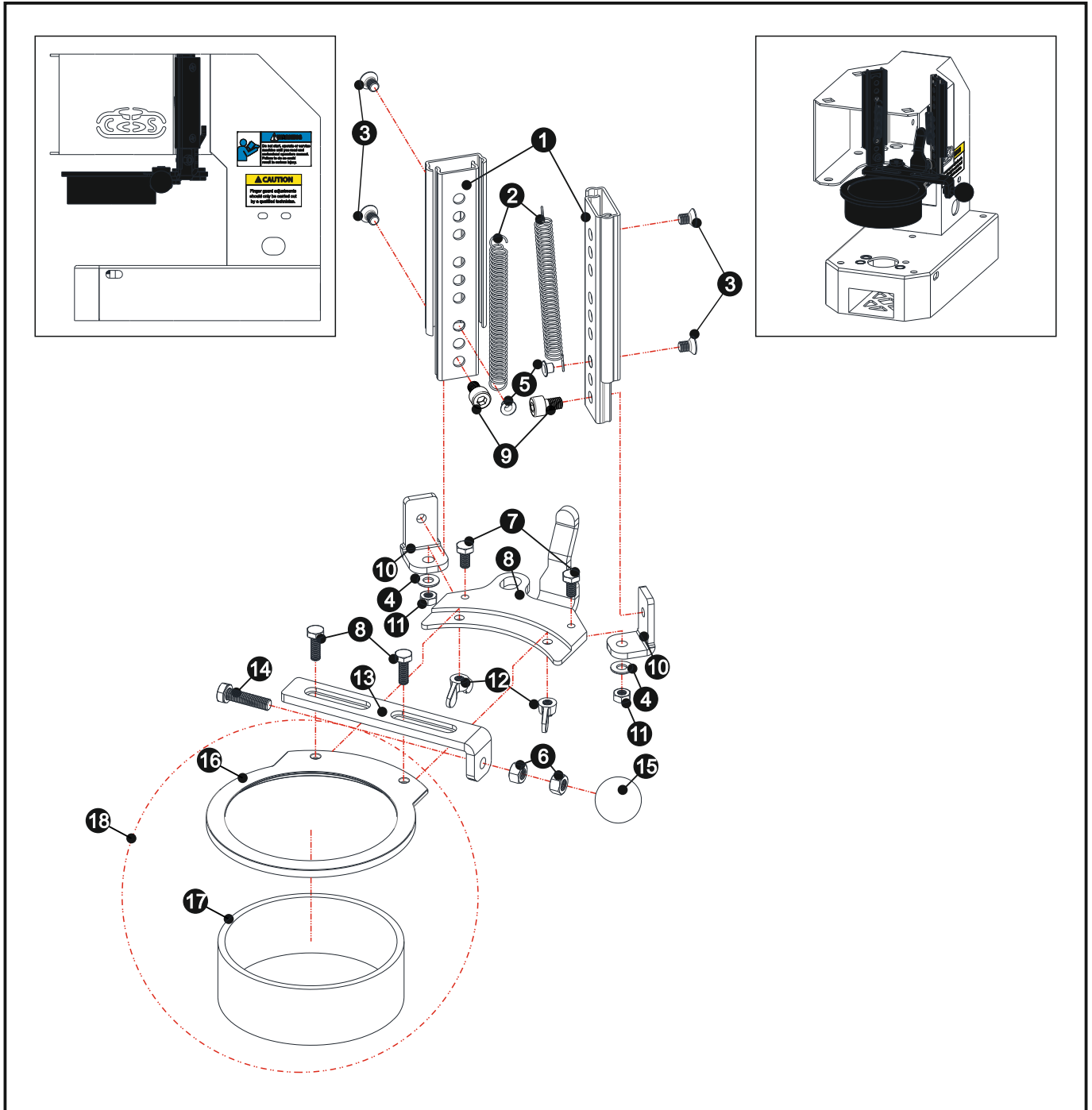
15. SPARE PART LIST ( CS-TIDY-51 )

A. Machine Body Parts( CS-TIDY-51 )



REF NO	CODE	QTY	NAME OF PARTS	REF NO	CODE	QTY	NAME OF PARTS
1	834800	1	MACHINE BODY				
2	740723	1	HANDLE				
3	285138	2	BOLT, RHSSNBOLT 0.3125-18x4.5x1-S				
4	285139	2	THREADED HEAD BOLT,0.3125-18x4.5x1-S				
5	750516	2	SCREW, ISO 7045 - M5 x 16 - Z --- 16S				
6	125053	2	WASHER, DIN 125 - A 5.3				
7	387141	4	NUT, ALCNUT 0.3125-18-S				
8	323657	4	STOPPER				
9	186604	1	BACK COVER				
10	704406	2	SCREW, ISO 7046-1 - M4 x 6				

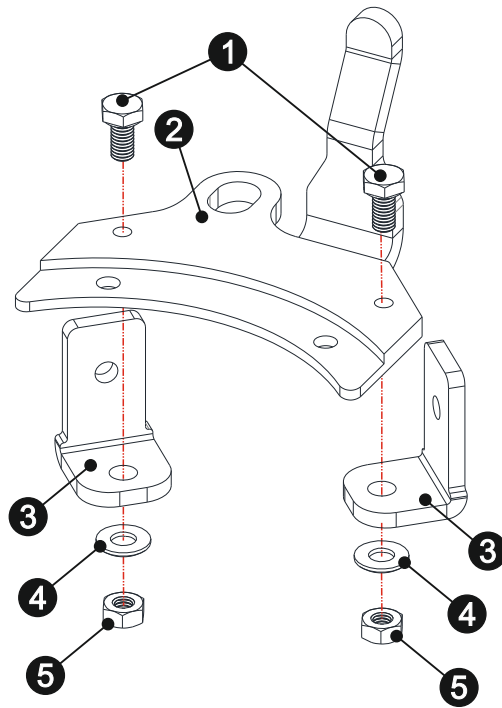
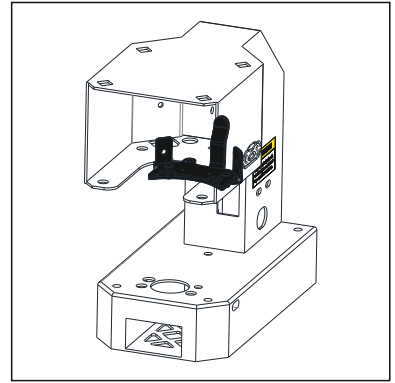
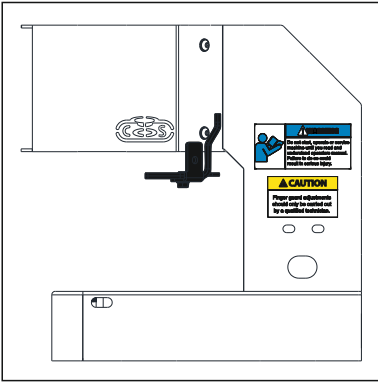
## B. Starting Mechanism Mechanical Parts ( CS-TIDY-51)



REF NO	CODE	QTY	NAME OF PARTS	REF NO	CODE	QTY	NAME OF PARTS
1	027214	2	BALL BEARING SLIDE				
2	165811	2	SPRING				
3	704406	4	SCREW, ISO 7046-1 - M4 x 6 - Z --- 6S				
4	125043	6	WASHER, DIN 125 - A 4.3				
5	#XX00G	2	#XX00 GROMMET				
6	403205	2	NUT, ISO 4032 - M5 - D - C				
7	387129	2	BOLT, ISO 4017 - M4 x 12-S				
8	834915	1	START BRACKET				
9	912508	2	SCREW, DIN 912 M5 x 8 --- 8S				
10	135682	2	BALL BEARING SLIDE BRACKET				
11	215445	2	NUT, ISO 4032 - M4 - W - S				
12	054212	2	WING NUT, DIN 315-M4-GT-C-S				
13	298155	1	MANUEL STARTING ARM				
14	933520	1	BOLT, ISO 4017 - M5 x 20-S				
15	220301	1	KNOB				
16	834914	1	FINGER GUARD BRACKET, "<#12>"				
17	002515	1	ACRYLIC GUARD <80mm>				
18	645012	1	FINGER GUARD ASSY, "<#12>"				

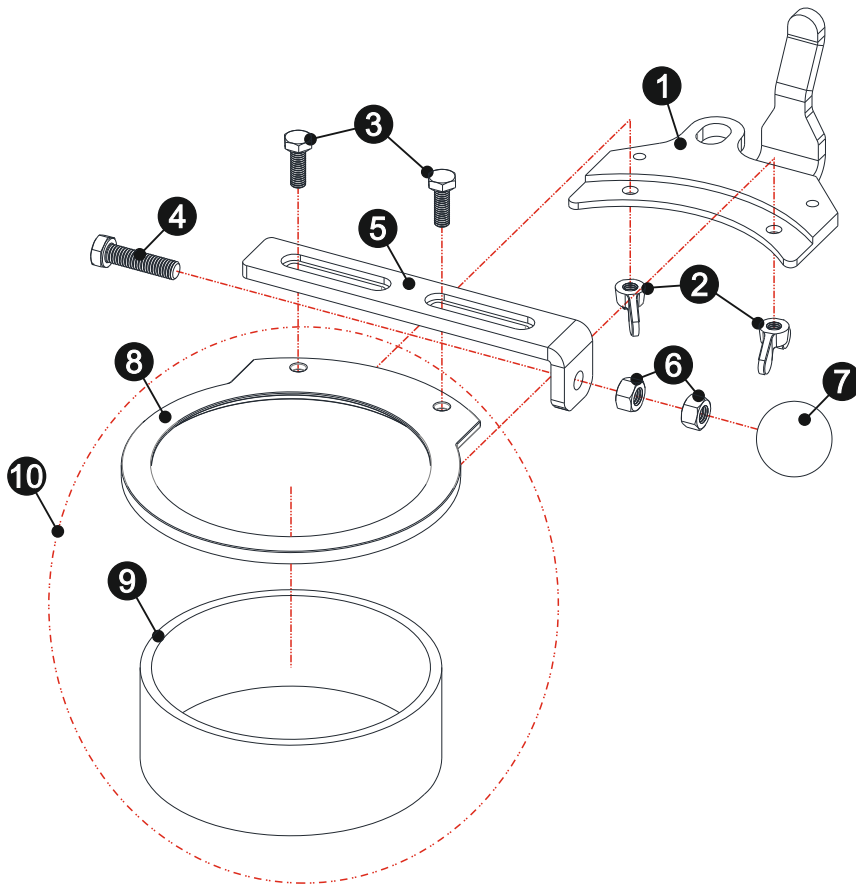
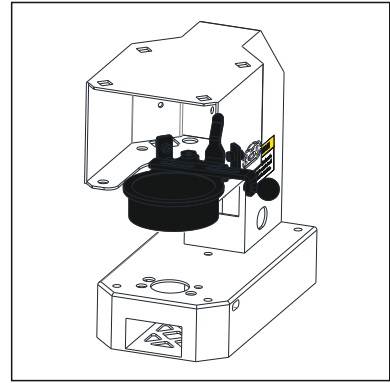
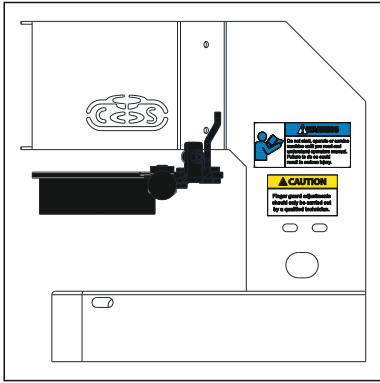


**B2. Start Bracket ( CS-TIDY-51)**



REF NO	CODE	QTY	NAME OF PARTS	REF NO	CODE	QTY	NAME OF PARTS
1	387129	2	BOLT, ISO 4017 - M4 x 12-S				
2	834915	1	START BRACKET				
3	135682	2	FINGER GUARD BRACKET				
4	125043	2	WASHER, DIN 125 - A 4.3				
5	215445	2	NUT, ISO 4032 - M4 - W - S				

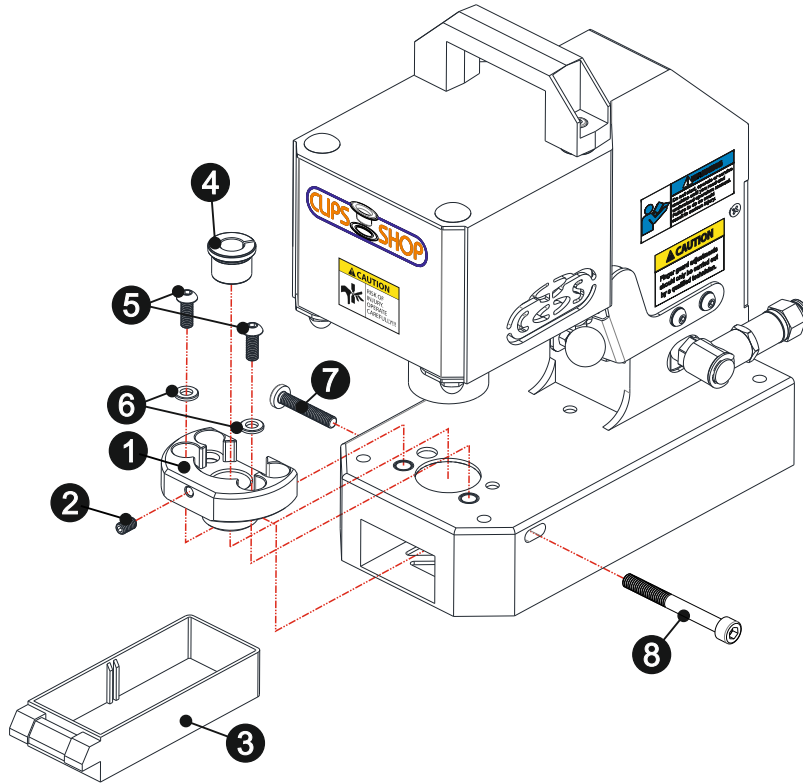
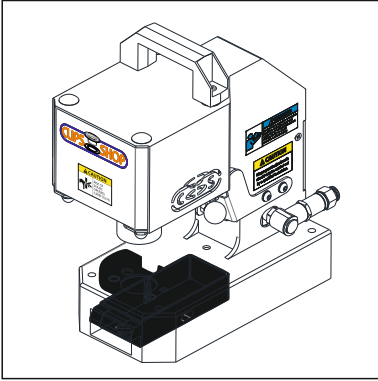
**B3. Finger Guard & Manual Starting Arm ( CS-TIDY-51)**



REF NO	CODE	QTY	NAME OF PARTS	REF NO	CODE	QTY	NAME OF PARTS
1	834915	1	START BRACKET				
2	054212	2	WING NUT, DIN 315-M4-GT-C-S				
3	387129	2	BOLT, ISO 4017 - M4 x 12-S				
4	933520	1	BOLT, ISO 4017 - M5 x 20-S				
5	298155	1	MANUEL STARTING ARM				
6	403205	2	NUT, ISO - 4032 - M5 - D - C				
7	220301	1	KNOB				
8*	834914	1	FINGER GUARD BRACKET, <#12>				
9*	002515	1	ACRYLIC GUARD, <80mm>				
10*	642012	1	FINGER GUARD ASSY, <#12>				

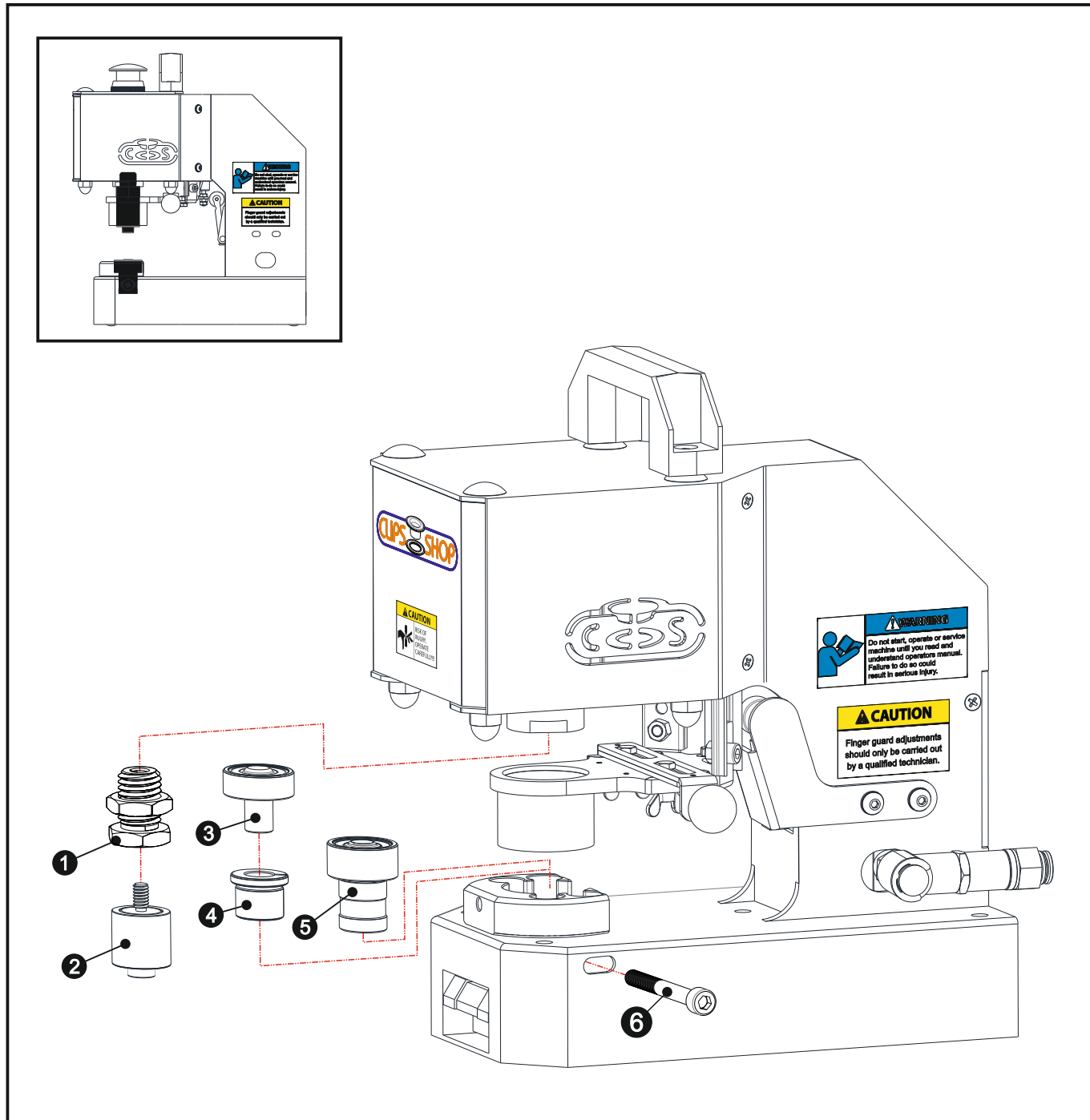
\* Various sizes are available to be used with various dies.

C. Lower Die Holder Parts ( CS-TIDY-51)



REF NO	CODE	QTY	NAME OF PARTS	REF NO	CODE	QTY	NAME OF PARTS
1	657125	1	LOWER DIE HOLDER				
2	268751	1	SET SCREW, DIN 913 - M6 x 10-S				
3	002401	1	DRAWER				
4	110202	1	LOWER DIE BUSHING				
5	490120	2	SCREW, ISO 7380 - M6 x 16 --- 16S				
6	125064	2	WASHER, DIN 125 - A 6.4				
7	750635	1	SCREW, ISO 7045 - M6 x 35 - Z --- 35S				
8	912655	1	SCREW, DIN 912 M6 x 55 --- 55S				

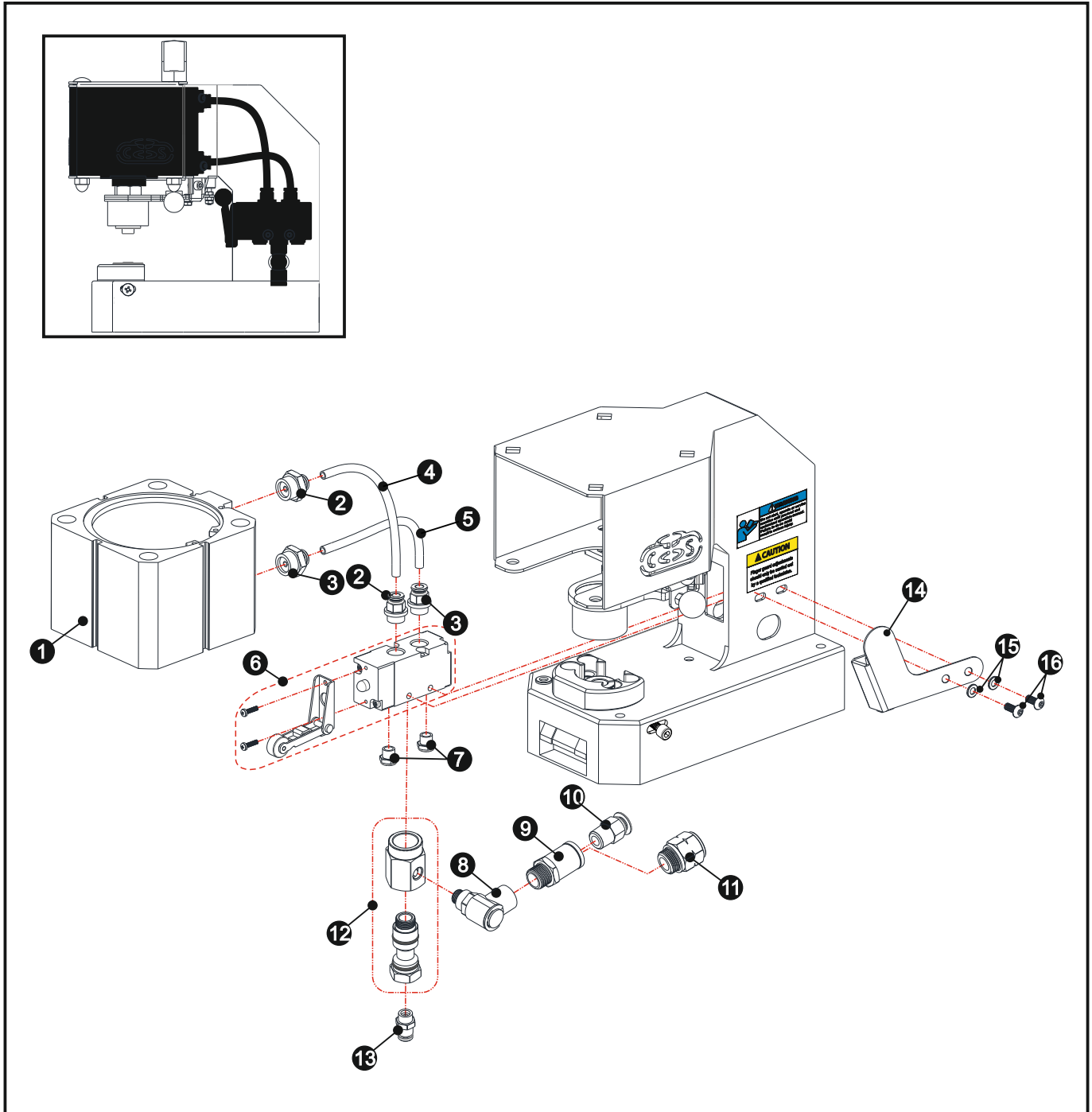
## D. Upper & Lower Die / Adaptors Parts ( CS-TIDY-51)



REF NO	CODE	QTY	NAME OF PARTS	REF NO	CODE	QTY	NAME OF PARTS
1	268366	1	UPPER DIE ADAPTER				
2	See P.14	1	UPPER DIE				
3	See P.14	1	LOWER DIE				
4	110202	1	LOWER DIE BUSHING				
5	See P.14	1	LOWER DIE				
6	912655	1	SCREW, DIN 912 M6 x 55 --- 55S				

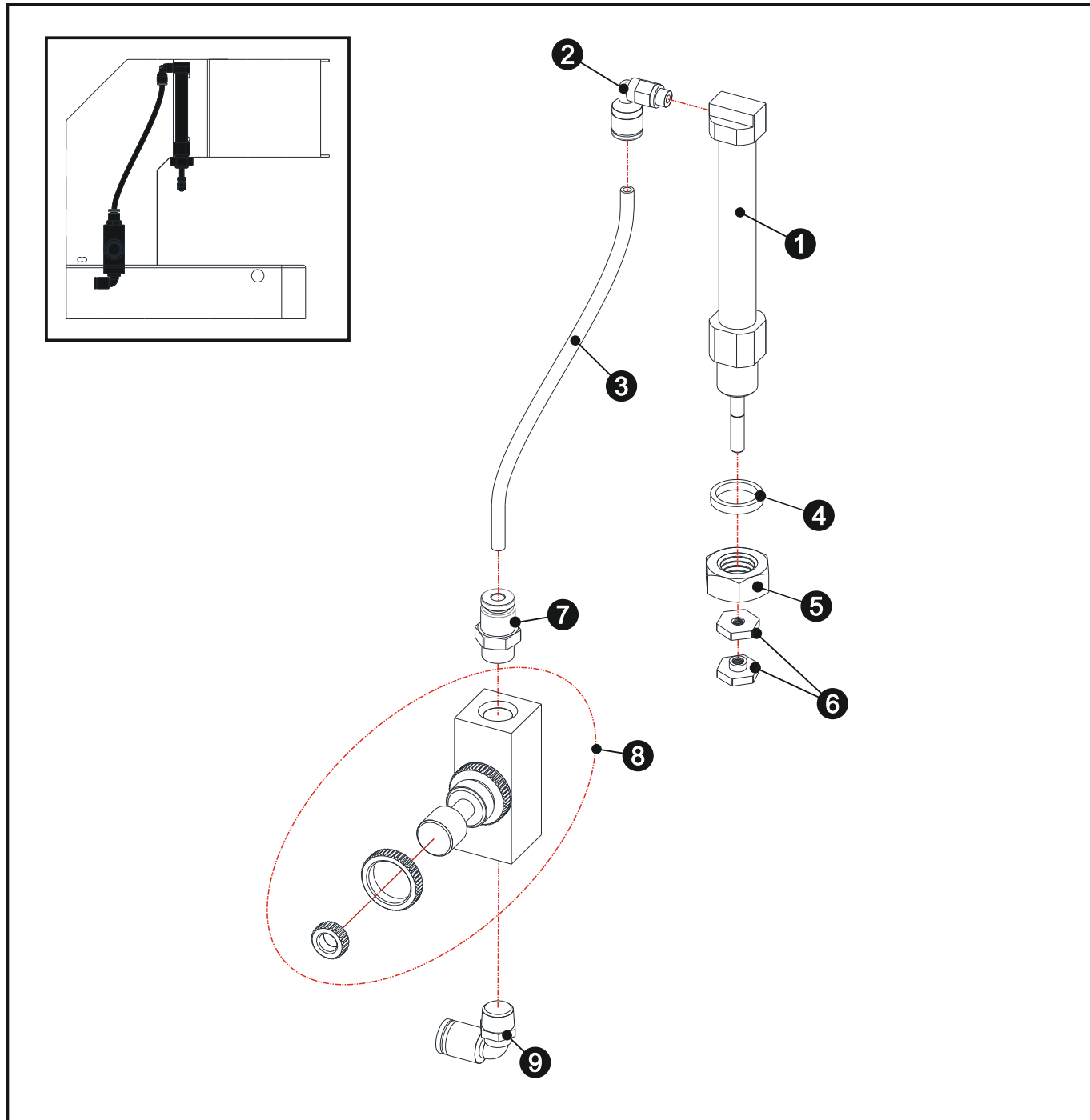
Please refer to the “Die Compatibility Guide” on page 14 for die selection.

E. Cylinder & Start Valve Parts ( CS-TIDY-51)



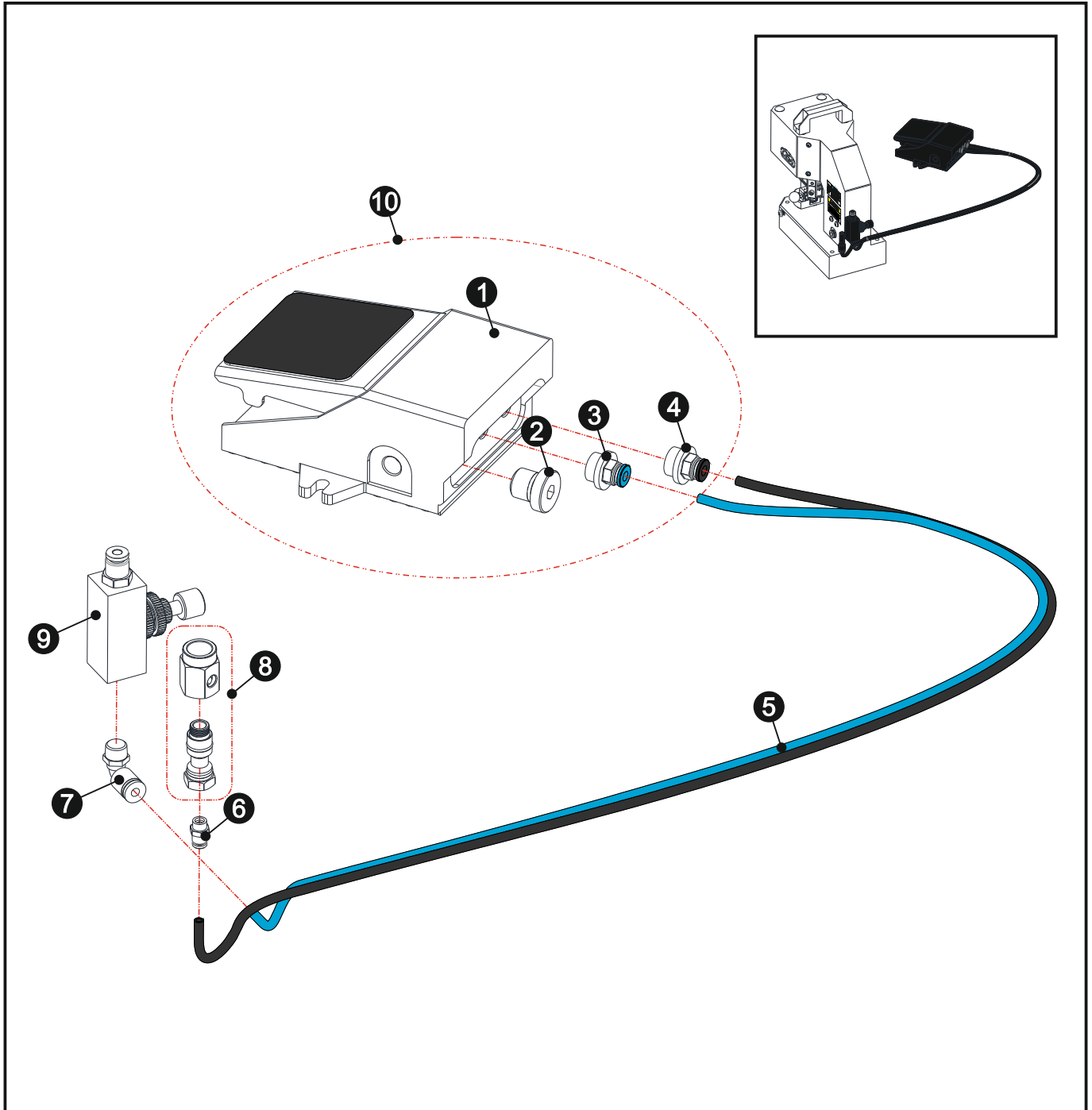
REF NO	CODE	QTY	NAME OF PARTS	REF NO	CODE	QTY	NAME OF PARTS
1	200361	1	PNEUMATIC CYLINDER				
2	334673	2	HALF UNION STR. ADP. 1/4" to 6mm BLK				
3	334674	2	HALF UNION STR. ADP. 1/4" to 6mm BLU				
4	836513	1	PNEUMATIC TUBE <6mm*140mm> BLK				
5	836512	1	PNEUMATIC TUBE <6mm*140mm> BLU				
6	144325	1	ROLLER LEVER VALVE				
7	415801	2	BRONZE SILENCER, 1/4"				
8	742151	1	SINGLE BANJO 1/8" to 1/4"				
9	072014	1	BAR LIMITER				
10	137411	1	HALF UNION STR. ADAPTOR, 1/8" to 8mm				
11	446722	1	REDUCER, G1/4" male to 1/4"NPT female				
12	221135	1	DOUBLE BANJO 1/4" to 1/8"				
13	532678	1	HALF UNION STR. ADAPTOR, 1/8" to 4mm				
14	374683	1	VALVE START FINGER GUARD				
15	125053	2	WASHER, DIN 125 - A 5.3				
16	490512	2	SCREW, ISO 7380 - M5 x 12 --- 12S				

F. Safety System and Speed Controller Pneumatic Parts ( CS-TIDY-51)






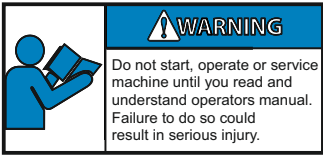

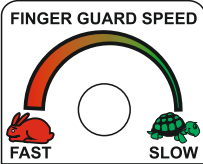

REF NO	CODE	QTY	NAME OF PARTS	REF NO	CODE	QTY	NAME OF PARTS
1	043220	1	PNEUMATIC MINI CYLINDER				
2	016528	1	MALE ELBOW M5 to 4mm ONE TOUCH				
3	824154	1	PNEUMATIC TUBE <4mm*140mm>				
4	574168	1	COLLAR				
5	403212	1	NUT, ISO 4032 - M12 - D - S				
6	619324	2	NUT				
7	532678	1	HALF UNION STR. ADAPTOR, 1/8" to 4mm				
8	265481	1	FLOW CONTROL VALVE, 1/8" (set)				
9	016485	1	MALE ELBOW 1/8" to 4mm ONE TOUCH				

G. Foot Pedal Parts ( CS-TIDY-51)



REF NO	CODE	QTY	NAME OF PARTS	REF NO	CODE	QTY	NAME OF PARTS
1	016481	1	FOOT PEDAL VALVE, 1/4" 5-2				
2	335727	1	AIRLINE PLUG FITTING, <1/4">				
3	016409	1	HALF U. STR. ADAPTOR, 1/4" to 4mm(Blue)				
4	016408	1	HALF U. STR. ADAPTOR, 1/4" to 4mm				
5	753021	1	TWIN PNEUMATIC TUBE, 4mm*3m				
6	532678	1	HALF UNION STR. ADAPTOR, 1/8" to 4mm				
7	016485	1	MALE ELBOW 1/8" to 4mm ONE TOUCH				
8	221135	1	DOUBLE BANJO 1/4" to 1/8"				
9	265481	1	FLOW CONTROL VALVE, 1/8"				
10	392156	1	FOOT PEDAL VALVE ASSY, 1/4" 5-2				

H. Labels ( CS-TIDY-51 )

LABELS	NAME OF PARTS	SIZE (mm)	CODE
	Model Plate	70 X 45	107024
	Label Logo & Caution	205 X 150	055237
	Label Caution	48 X 28	095241
	Label Warning	75 x 35	095147
	Magnet Label Drawer	115 x 50	063727
	Finger Guard Speed Label	45 x 35	028485
	Finger Guard Label	15 x 15	048721

## 16. MAINTENANCE ( CS-TIDY-51)

### 16-1 Cleaning the Machine

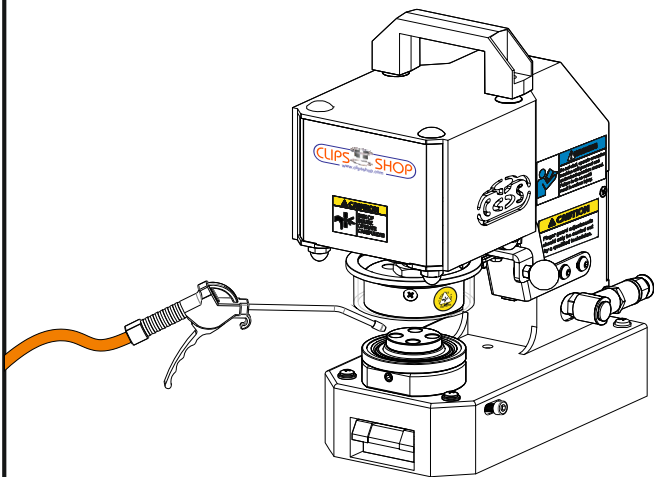


fig. 73

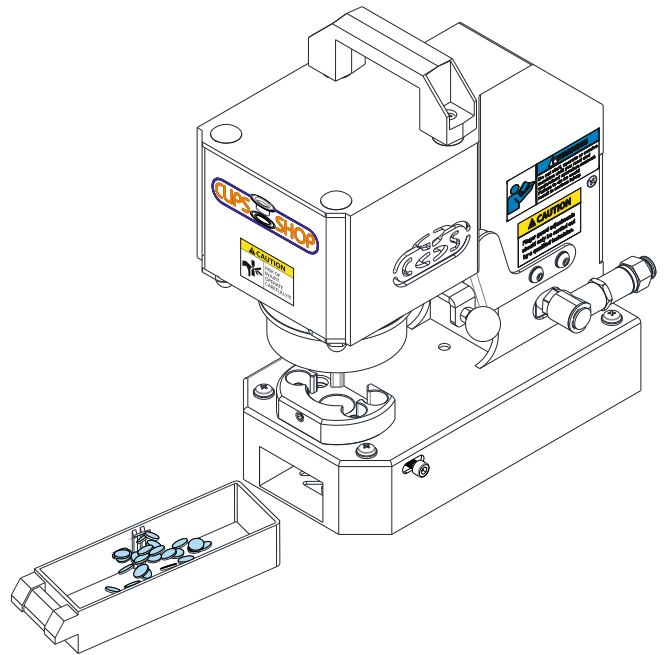


fig. 74

Clean your CS-TIDY-51 at least once a week with air gun. You can keep cleaning the machine with a clean cloth.  
**NOTE:** Do not use solvents such as kerosene or thinner to clean the machine.

### 16-2 Lubrication of the Machine

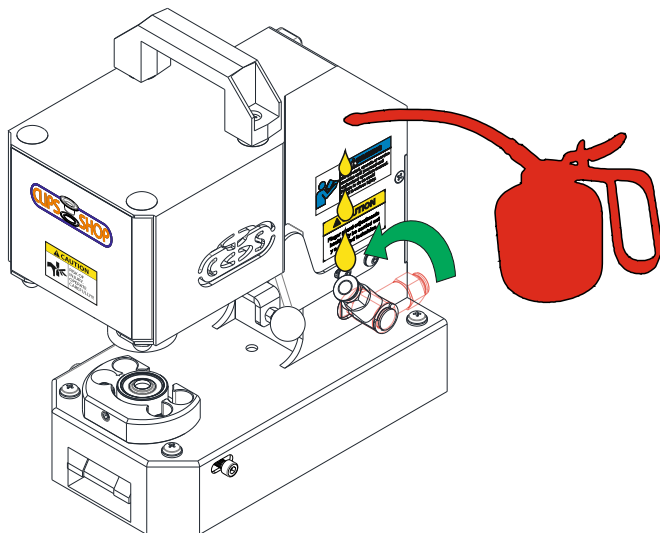


fig. 75

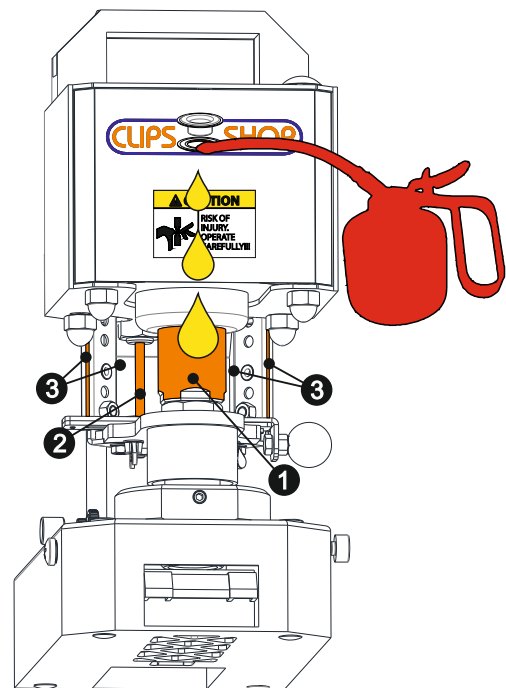


fig. 76

CS-TIDY-51 should be properly lubricated at least once a month. If you are using your machine frequently you shall increase the frequency of the lubrication. Before lubrication, do not forget to remove the air connection from the machine and make sure there is no air remained in the machine.

Manually grease the main shaft<sup>1</sup>, finger guard mechanism shaft<sup>2</sup> and rails<sup>3</sup> with a drip feed lubricator as shown in (fig.76).

Turn the banjo adaptor. Insert 10 drops of ISO VGA 40 type oil to the air entrance of the banjo adaptor of your machine as shown in (fig.75). After that, connect the air source to the banjo adaptor and operate it at least 3 times with all available starting options (manual start arm or foot pedal) of your CS-TIDY-51.

## 17. VARIOUS MALFUNCTIONS AND TROUBLESHOOTING TIPS

- Please check the following points before calling for repairs or service.
- If the following remedies do not fix the problem, disconnect the air hoses from the air supply before carrying out inspection, adjustment and repair of any parts which use the pneumatic equipment, and consult a qualified technician or the place of purchase.

Items with a “ \* ” in the “Reference” column should only be checked by a qualified technician.

Problem	Possible Reason	Solution	Reference
I can't install the lower die	Die bushing might be blocking.	Remove the die bushing and try again.	P. 16
	Upper die might be blocking.	First remove the upper die and try again.	P. 28
I can't install the upper die	Upper die adaptor might be blocking.	Remove the upper die adaptor and try again.	P. 27
	Lower die might be blocking.	First remove the lower die and try again.	P. 28
The lower and the upper die do not exactly match each other.	There could be a problem on the die alignment.	Align the die sets.	P. 30
I can't start the machine.	There could be no air in the system.	Make sure your compressor is running and check the connection between the compressor and the machine.	P. 17
	The finger guard speed might be set too low.	Adjust the speed of the finger guard	P. 33
	Finger guard mechanism starting level might be wrong.	Adjust starting level.	P. 32
	Working pressure might not be correct.	Make sure your air source generates 4-6 bars air pressure.	P. 17
There is damage on my material after the grommet application.	There could be too much pressure in the system.	Reduce the air pressure level in the system.	P. 17
Machine bends abnormally.			
Applied grommet is deformed.	There could be a problem on the die alignment.	Align the die sets.	P. 30
The grommet does not stay on the upper die.	You may be using an incorrect die set.	Check your die set and replace if required.	P. 16
	Your die could be worn- out or damaged.		
	There could be a small problem on the die set.		
The grommet does not pierce the material.	You might not be using original ClipsShop grommets	Use original ClipsShop grommets.	
	The air pressure level in the system could be too low.	Make sure the pressure level in your system is at least 5 bars.	P. 17
	Your die could be worn- out or damaged.	Check your die set and replace if required.	P. 16
	Your material's features could be unsuitable to be used with self-piercing grommets.(too thick, too rigid, extraordinary type)	You can purchase piercer dies and make the holes prior the grommet application.	
The grommet does not properly attach to the material.	The air pressure level in the system could be too low.	Increase the pressure level by not exceeding 7 bars.	P. 17
The grommet tears after application.	Your die could be worn- out or damaged.	Check your die set and replace if required.	P. 16
	There could be a problem on the die alignment.	Align the die sets.	P. 30
I can't install the GrommetSniper through the designated holes.	GrommetSniper fixing screw might be blocking it.	First remove this screw. After installing the GrommetSniper, use this screw to fix its position.	P. 20
There is a mechanical jam. The manual starting mechanism does not move down smoothly.	There could be a jam on the rails or mechanism inside.	Clean and grease the mechanism and the rails.	P. 46
		Check the installation of these rails and mechanism.	*
Without my material the machine works but it does not work when I place my material.	Finger guard mechanism starting level might be wrong.	Adjust starting level.	P. 32
	The thickness of your material is over the accepted safe thickness level of the machine.	Removing the safety system is strictly not recommended.	*
The machine's finger guard speed is too high/ too low.	The finger guard speed might be set too high/ too low.	Adjust the speed of the finger guard	P. 33
There is air leakage when it is not being operated.	The connection of the pipes or fittings might have loosened.	Check and securely fix the pipes/fittings.	*
	The connection of the pipes or fittings might have been worn-out.	Replace the pipe/fitting.	*





**GO KLİPS TEKSTİL VE MAKİNA  
SAN. DIŞ TİC. LTD. ŞTİ.**

SEYRANTEPE MAH.ALTINAY CAD. NO.43/7  
KAĞITHANE - İSTANBUL / TÜRKİYE

Tel: +90 212 294 2002 Faks: +90 212 294 2003

web: <http://www.clipsshop.com>

e-mail: [info@clipsshop.com](mailto:info@clipsshop.com)



## EC Declaration of Conformity

The undersigned Company declares under its sole responsibility that the item of machinery specified below satisfies the essential requirements of the EC Machinery Safety Directive which is apply to it. The item of machinery identified below has been subject to internal manufacturing checks assessment by CLIPSSHOP.

### Product Name

PNEUMATIC GROMMET ATTACHING MACHINE

### Type-Models

CS-TIDY Series

### Name and address of the person authorised to compile the technical construction file

ONUR BARAN ÖZGEN  
SEYRANTEPE MAH.ALTINAY CAD. NO.43/7  
KAĞITHANE - İSTANBUL – TR

### Applicable EU Directives

2006/42/EC Machinery Safety Directive

### Applicable Standards

EN ISO 12100:2010; EN ISO 4414:2010; EN 349:1993+A1:2008; EN ISO 13857:2008

## AT Uygunluk Beyanı

Aşağıda tanımlanmış olan makine için 2006/42/AT Makina Emniyeti Yönetmeliğinin temel gerekliliklerini yerine getirdiğini ve sorumluluğun alınmış olduğunu beyan ederiz. Aşağıda tanımlanan makinaların iç üretim kontrolü CLIPSSHOP tarafından kontrol edilmektedir.

### Ürün Adı

PNÖMATİK KUŞGÖZÜ ÇAKMA MAKİNESİ

### Tip-Model

CS-TIDY Serileri

### Teknik dosyayı hazırlamakla yetkili olan kişinin adı ve adresi

ONUR BARAN ÖZGEN  
SEYRANTEPE MAH.ALTINAY CAD. NO.43/7  
KAĞITHANE - İSTANBUL – TR

### Uygulanan AB Yönetmelikleri

2006/42/AT Makine Emniyeti Yönetmeliği

### Uygulanan Standartlar

EN ISO 12100:2010; EN ISO 4414:2010; EN 349:1993+A1:2008; EN ISO 13857:2008

## ON BEHALF OF MANUFACTURER - İMALATÇI ADINA

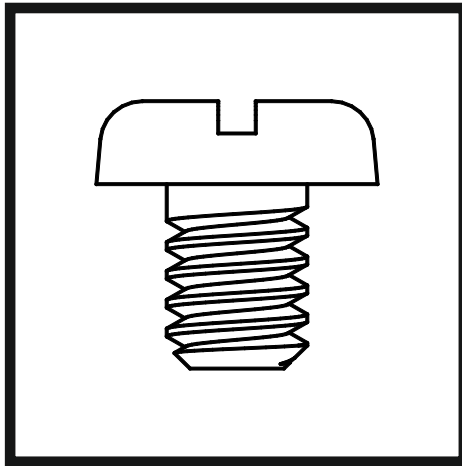
**Name (Adı)** : ONUR BARAN ÖZGEN

**Position (Görevi)** : Genel Müdür

**Date-Place (Tarih-Yer)** : 26.01.2018 / İstanbul – TÜRKİYE

**Signature-Stamp (İmza-Kaşe)** :

**GO KLİPS TEKSTİL  
VE MAKİNA SAN. DIŞ TİC. LTD. ŞTİ.**  
Seyrantepe Mah. Altınay Cad. No:43/7  
Kağıthane/İST. Tic. Sic. No:542469/829266  
Tel:0212 294 20 02 Fax:0212 294 20 03  
Maslak Vergi Dairesi 396 050 1752



**BASIC OPERATION MANUAL  
INSTRUCTION MANUAL  
PARTS BOOK**