

***Royal LT28 - Adjustable Height  
Black Sit/Stand Mobile Desk  
with Easy Lift Design***

**Instruction Manual**



*Provided by*

**MyBinding.com**  
*When Image Matters.*

Call Us at 1-800-944-4573

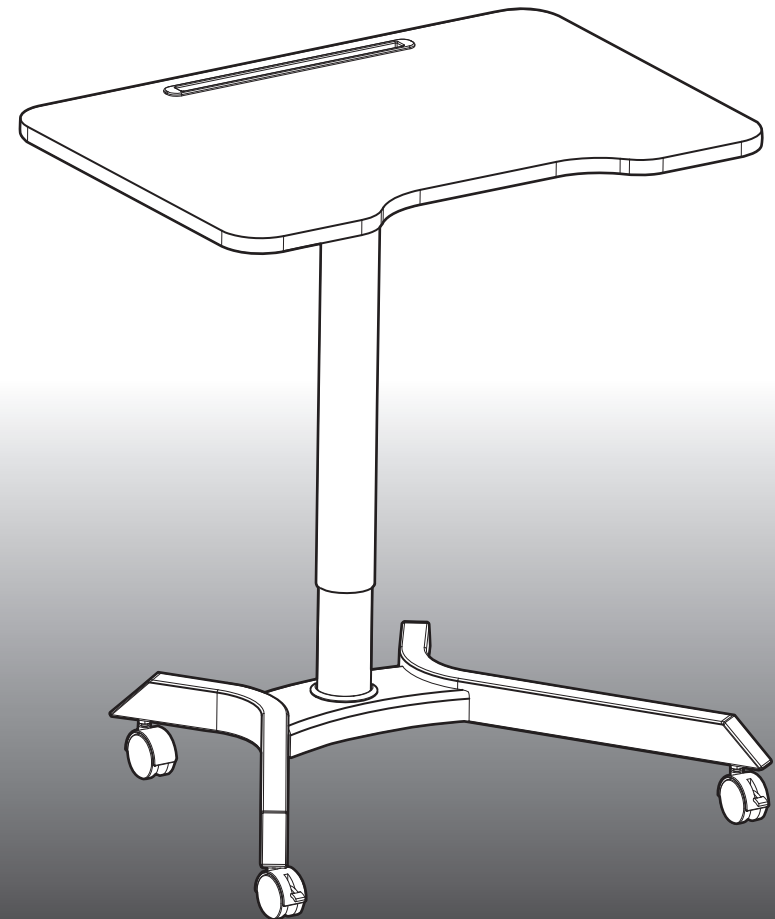
Adjustable  
Sit / Stand Work Station  
LT28

**ROYAL<sup>®</sup>**

Adjustable  
Sit / Stand Work Station

**LT28**

## Operation Manual



**ROYAL<sup>®</sup>**

Consumer Information Products, Inc.  
1160 U.S. Highway 22 East  
Suite 301  
Bridgewater, NJ 08807

*Made in China*

© Copyright  
Royal Consumer Information Products, Inc.  
2018, All Rights Reserved.

LT28IM0918

## ROYAL LT28 Adjustable Sit /Stand Work Station

### **WARNING**

Read the entire instruction manual before you start assembly.



This product has pinch points, which are created during lifting and lowering the work surface. Failure to follow these instructions may result in serious personal injury.

- **DO NOT** exceed the maximum listed weight capacity of 17.6 lbs (8KG). Serious injury or property damage may occur.
- This product has moving parts that can crush and cut.
- Keep the monitor and the laptop base fully on the work surface. Allowing any part of the base or stand to hang off the edge may result in property damage and or personal injury.
- Raise the work surface slowly. Raising the work surface too fast may create an unstable situation resulting in property damage and/or personal injury.
- Disconnect all cables and make sure items on the work station are stable before rising, lowering and moving.
- To avoid pinching the cables it is important that all cables and power cord have enough slack and are clear fro all moving parts. Failure to follow these instructions may result in equipment damage and/or personal injury.
- Assembly must be executed as instructions noted. Improper assembly may result in damage or serious personal injury.
- Safety gearand proper tools must be used. This product should only be installed by professionals.
- Make sure that the supporting surgace will safely support the combined weight of the equipment and all attached hardware and components.
- Use the supplied hardare provided and DO NOT OVER TIGHTEN assembly screws.
- This product contains small items that could be a choking hazard if swallowed. Keep these items away from children.
- This product is intended for indoor use only. Using this product outdoors could lead to product failure and personal injury.
- **IMPORTANT:** Ensure that you have received all parts according to the component checklist prior to assembly. If any parts are missing or faulty, contact ROYAL Product Support (888) 261-4555, for replacemets.
- **MAINTENANCE:** Check that the table surface is secure and safe on a regular time frame (at least every three months).

## WARRANTY, REGISTRATION & TECHNICAL SUPPORT

PLEASE FILL OUT AND RETURN THE PRODUCT REGISTRATION CARD INCLUDED WITH YOUR NEW ROYAL PRODUCT OR FILL OUT THE PRODUCT REGISTRATION FORM ON THE ROYAL WEB PAGE AT: [http:// www.royal.com](http://www.royal.com).

### BE SURE TO KEEP A COPY OF YOUR SALES RECEIPT!

#### STANDARD WARRANTY

ROYAL CONSUMER INFORMATION PRODUCTS, INC. ("Royal"), at 1160 U.S. Highway 22 East, Suite 301 Bridgewater, NJ 08807 USA WARRANTS that your NEW Product is free of defects of workmanship and materials. If there is a defect or malfunction of this product, Royal will repair it free of charge as follows:

**PARTS:** New or comparable rebuilt parts in exchange for defective parts for ONE (1) YEAR from date of customer purchase.

**LABOR:** Royal provides labor warranty for ONE (1) YEAR from date of end-user purchase. Product must be sent postage prepaid and insured to Royal in accordance with the warranty procedures outlined below. At completion of the repair, the consumer will be responsible for the cost for any parts or services no longer covered under the warranty.

This warranty does not apply to persons who purchased this product second-hand or used.

This warranty does not include adjustments, parts and/or repairs required by circumstances beyond the control of Royal, including but not limited to fire or other casualty, accident, neglect, abuse, misuse, abnormal use or battery leakage damages.

THERE ARE NO OTHER EXPRESSED WARRANTIES EXCEPT AS STATED HEREIN. AFTER THE PERIOD OF EXPRESSED WARRANTY SET FORTH HEREIN, THERE ARE NO EXPRESSED OR IMPLIED WARRANTIES AND THOSE EXCLUDED INCLUDE THOSE OF MERCHANTABILITY AND FITNESS FOR PARTICULAR PURPOSE. Royal shall NOT be held liable for CONSEQUENTIAL DAMAGES resulting from any failure, defect or malfunction of this product. Some States do not allow limitations on how long an implied warranty lasts and some States do not allow the exclusion or limitation of incidental or consequential damages, so the above limitations may not apply to you.

#### WARRANTY PROCEDURES

#### TO OBTAIN SERVICE UNDER THE TERMS OF THIS WARRANTY:

Please do the following:

1. Send a copy of your original sales receipt showing original purchase date, along with your mailing and shipping addresses, the model name of the product and a note describing the nature of the problem and a note describing the nature of the problem to:

Royal Consumer Information Products, Inc.  
Warranty Processing  
50 Hilton Street  
Easton, PA 18042-7391 USA

#### Do Not Return the Product to This Address!

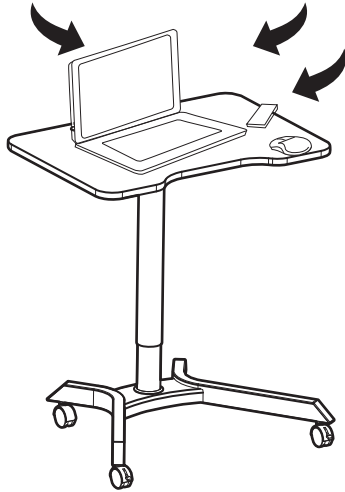
2. You will receive a return authorization number via U.S Mail within 7-12 business days from the date your return request is received if it is determined that there is a basis for a replacement product. The return authorization form you receive will list the return procedures, applicable charges, if any, and the correct shipping address for the returned product.

#### PRODUCT SUPPORT HOTLINE:

For questions on use of this product or this warranty call **1-800-272-6229** (in the U.S. and Canada) or in Mexico call **01-800-849-4826**, Monday through Friday during normal business hours. You can also e-mail Royal at: [hotline@royal.com](mailto:hotline@royal.com)

**ROYAL LT28 Adjustable Sit /Stand Work Station**

**5 Arranging items on the desk:**



It is important that you arrange your devices properly on your desktop surfaces. Be careful not to have any of the devices hanging off the edge.

Take notice of device cables. Make sure all cables and power cords have enough slack so not to get pinched when the desktop is raised or lowered.

Remove all liquids from the LT28 when raising or lowering desktop. Failure to do so may result in property damage and/or personal injury.

Be sure not to go over the maximum weight allowance. Take careful note that the weights are balanced so as not to fall when raising or lowering the desktop.



**WARNING PINCH POINTS**

To avoid the potential to pinch cables, it is important to make sure all cables and power cords are free from moving parts. Failure to follow these instructions may result in property damage and/or personal injury.



**CAUTION NO HANGING EDGES**  
Allowing any device to hang off the edge may result in property damage and/or personal injury.



**CAUTION MOVING SURFACE**  
Raise work surface slowly. Raising or lowering too fast may create an unstable situation resulting in property damage and/or personal injury.

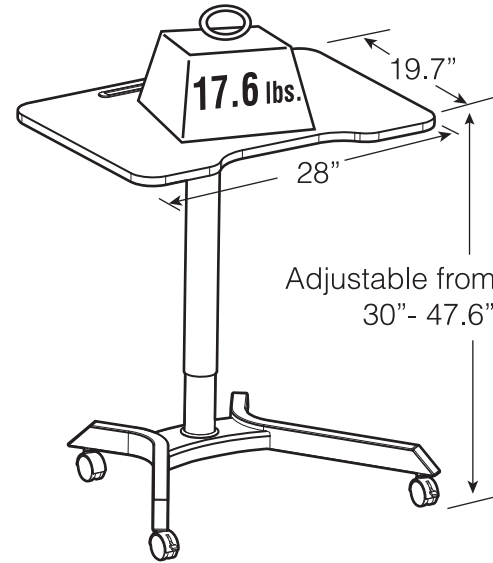


**CAUTION MOVING SURFACE**

Remove all liquids from the LT28 before raising or lowering the desk top. Failure to do so may result in damage to your devices and/or personal injury.

**ROYAL LT28 Adjustable Sit / Stand Work Station**

**LT28 Dimensions & Weight Capacity:**



The LT28 is a sturdy and durable sit / stand mobile work station. It has a stable 19.7" x 28" worksurface with an adjustable height ranging from 30" to 47.6".

However, DO NOT place items on the surface which exceed the total weight capacity.

**TOTAL Weight Capacity: 17.6lbs**

It is also recommended that all items are secured before raising, lowering or relocating the LT28. We highly advise that you never place any liquids on the LT28 while raising, lowering or relocating the unit as well.

**CAUTION**

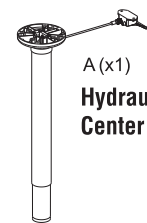
**DO NOT EXCEED MAXIMUM LISTED WEIGHT CAPACITY.** Serious injury or property damage may occur.



**CAUTION MOVING SURFACE**

Remove all liquids from the LT28 before raising or lowering the desk top. Failure to do so may result in damage to your devices and/or personal injury.

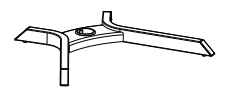
**1 What you Get:**



A (x1)  
**Hydraulic Center Post**



B (x1)  
**LT28 Desktop**



C (x1)  
**Caster Chassis**



M6x12 (x7)  
D  
**Allen Bolt**



M6x12 (x2)  
E  
**Allen Bolt**



F (x2)  
**Caster**



G (x2)  
**Locking Caster**



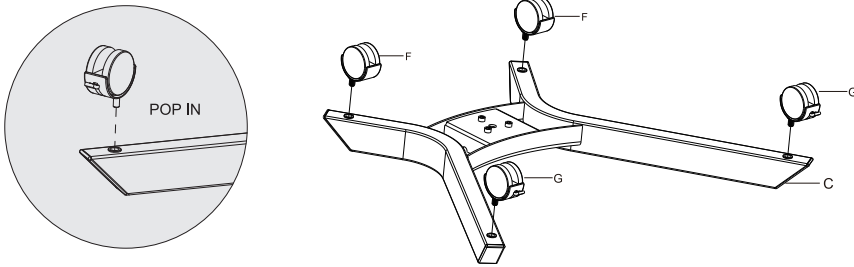
4mm (x1)  
H  
**Allen Wrench**



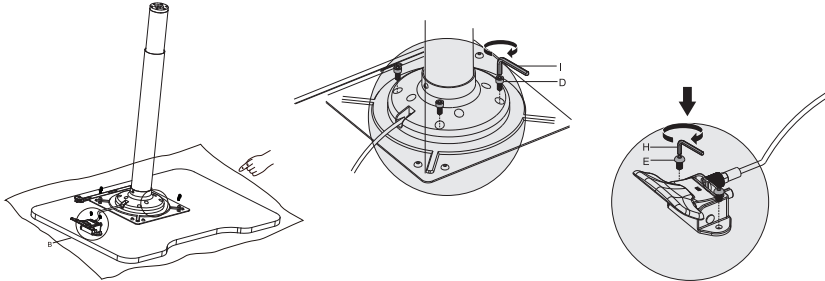
5mm (x1)  
I  
**Allen Wrench**

## ROYAL LT28 Adjustable Sit /Stand Work Station

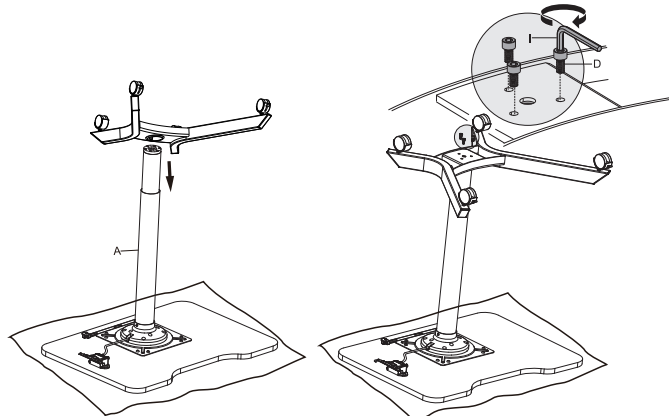
- 2 Caster Chassis Assembling:** Place the caster chassis on a clean flat surface upside down. Insert the two casters "F" into the holes on the two shorter legs. Insert the two locking casters "G" into the holes on the two longer legs.



- 3 Work Surface Assembling:** Place the LT28 Desktop on a clean flat surface upside down. Align the hydraulic center post matching the threaded holes. Make sure the height adjust lock handle matches the threaded holes as well. Carefully thread allen bolts "D" into the holes and tighten using allen wrench "I". Carefully thread allen bolts "E" into the holes and tighten using allen wrench "H".



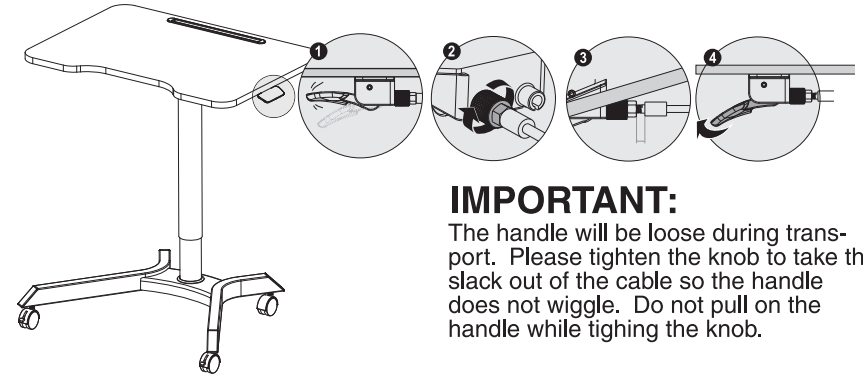
- 4 Caster Chassis Installation :** Place the caster chassis on the hydraulic center post. Align the holes of the chassis with though on the post. Carefully thread allen bolts "D" into the holes and tighten using allen wrench "I".



3

## ROYAL LT28 Adjustable Sit /Stand Work Station

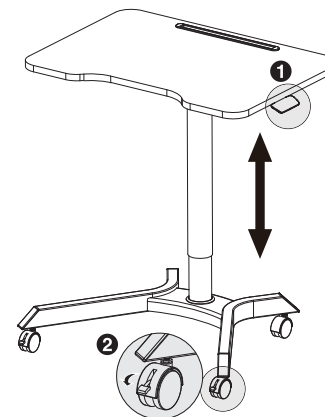
- 5 Height Level Adjustment Lock :** Turn the assembled LT28 upright onto it's casters. **1.** The height adjustment handle may be loose during shipping. **2.** Tighten the thumb screw clockwise until all the slack is out of the cable. **3.** Now thighten the locking nut clockwise until it rest on the thumb screw. **4.** Lift up on the locking handle to raise and lower the table top.



### IMPORTANT:

The handle will be loose during transport. Please tighten the knob to take the slack out of the cable so the handle does not wiggle. Do not pull on the handle while tighning the knob.

- 5 How your LT28 works:**



**1.** The LT28 can be raised and lowered from 30", to work in a sitting position, to 47.6" that allows work in a standing position. Pull up on the lock release lever to raise and lower the surface of the LT28 to your desire work height.

**2.** Your LT28 is designed to roll easily on most level, flat surfaces. Their are two locking caster located on the two longer legs of the caster chassis. To unlock the caster for easy mobility, simply lift up on the lock release lever on both locking casters. Once your LT28 is in the desired location, you can stabilize the unit by pushing down on the lever of the locking caster.

It is high recommended that all items are arrange safely on the the desk top surface before raising, lowering or moving the LT28

### **WARNING PINCH POINTS**

DO NOT place hands on or near moving parts. Pinch points are created during lifting and lowering the work surface. Failure to follow these instructions may result in serious personal injury.

### **CAUTION MOVING PARTS**

The LT28 has a elevation range from 30" -47.6". Leave enough slack in cables to insure safe movement. Failure to so may result in property damage and/or personal injury.

4