

Preferred Packaging Group®

PP-983 SERIES PALLET STRETCH WRAPPING MACHINE



**NEW
MODEL**
with Easy Thread
Design & Digital
Control Panel

**The New
Industry
Standard In
Pallet Stretch
Wrapping**

Model PP-983 LP

Semi-Automatic Low Profile Pallet Stretch Wrapping Machine with 225% Power Prestretch, 4,000 lb. Load Capacity, Photo Eye, "Easy Thread Design" and New Digital Control Panel with All Standard Features. *PP-983 HP, High Profile Model Does Not Include Ramp.

MyBinding.com
When Image Matters.

mybinding.com
1-800-944-4573

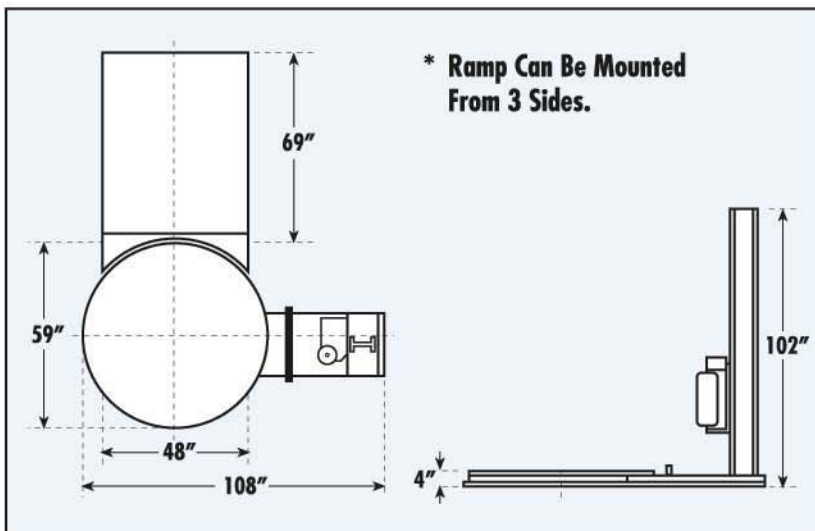
Model PP-983

Technical Specifications:

Production Rate:	30-40 Loads Per Hour
Power Requirements:	115 Volts, 1 Phase, 15 Amp
Maximum Load Size:	50" L x 50" W x 85" H
Maximum Load:	4,000 lbs.
Turntable:	59" diameter - 3/8" Diamond Plate
Turtable Drive:	1/2 HP AC Variable Speed 0-12 rpm
Turtable Drive Method:	Heavy Duty Chain ANSI #60
Turtable Support:	Heavy Duty Delrin Roller Assembly.
Film Delivery System:	Patented Triple Knurled Roller with Easy Thread Design to Stretch Film 225%.
Machine Dimensions:	108" L x 59" W x 102" H
Carriage Elevator:	Variable Speed 1/2 hp - Drive Belt
Controls:	PLC Control with 10 Program Memory
Forklift Portable:	Yes
Photo Eye:	Will Automatically Seek Height of Load
Home Position:	Turtable Will Automatically Return to Home Position
C.E. Approval:	Exceeds OSHA Safety Standards
Film Capacity:	All Commercial Stretch Film 20" Wide
Warranty:	1 Year Limited Warranty
Shipping Weight:	1,500 lbs.

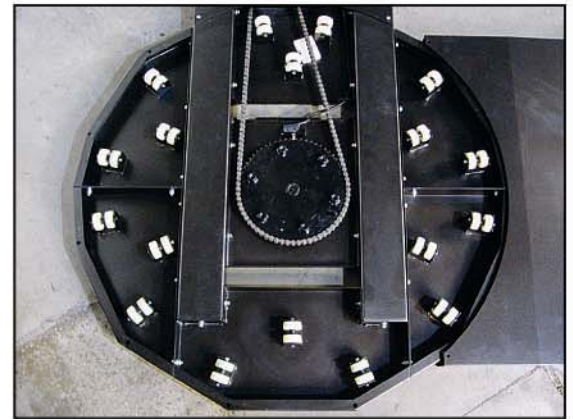
Optional Features:

1. 72" Diameter Turntable
2. Tower Extension to 105"
3. Base Extension
4. Load Stabilizer - Top Pressure Plate
5. Weight Scale Packages



- PLC Control with 10 Program Memory
- On/Off Switch
- Top Wrap Count
- Bottom Wrap Count
- Start
- Stop
- Manual/Automatic
- Pause Button
- Film Tension Control
- Turntable Speed
- Film Carriage Speed
- Emergency Stop Switch

Easy to use and understand front control panel.



Heavy duty chain drive on turntable with 18 sets of double roller turntable supports.



Patented triple knurled roller pre-stretch system with 225% powered pre-stretch. Easy thread design with safety door; if opened, shuts off machine.