

Best-Rite 4' x 5' Deluxe

***Reversible Porcelain Whiteboard /
Cork Board with Aluminum Frame***

Instruction Manual

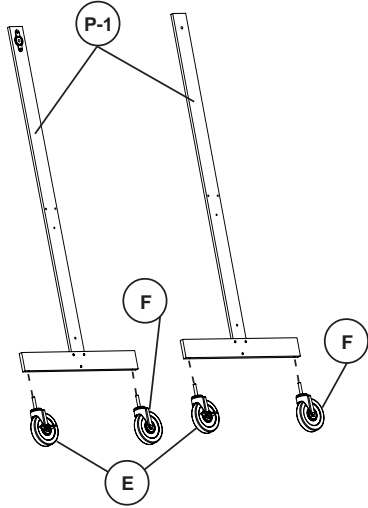


Provided by

MyBinding.com
When Image Matters.

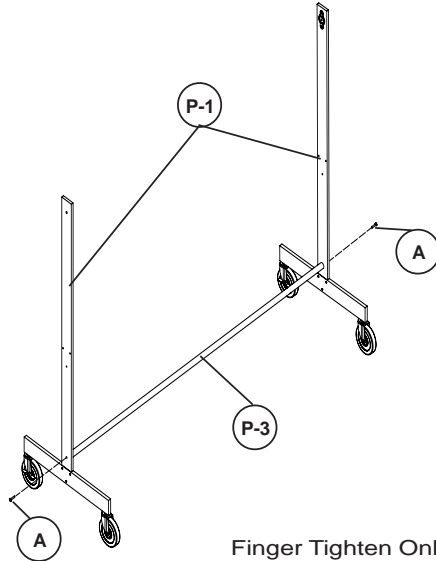
Call Us at 1-800-944-4573

1 Attach 2 Locking Casters (E) and 2 Non-Locking Casters (F) to Legs (P-1) as shown.



Tighten Casters using Caster Wrench (G).

2 Attach Cross Brace (P-3) to Legs (P-1) using 2 Screws (A).










Finger Tighten Only!

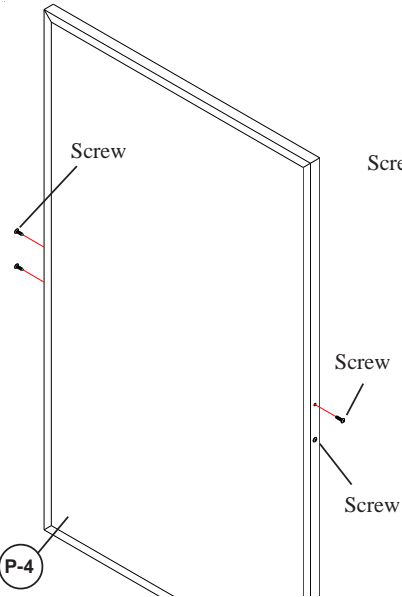
READ THROUGH INSTRUCTIONS FROM BEGINNING TO END **BEFORE** STARTING TO ASSEMBLE UNIT.

Missing Parts or UPS Damaged Parts
For Your Convenience you can
EMAIL us at
boards@bestrite.com
24HOURS 7 DAYS A WEEK

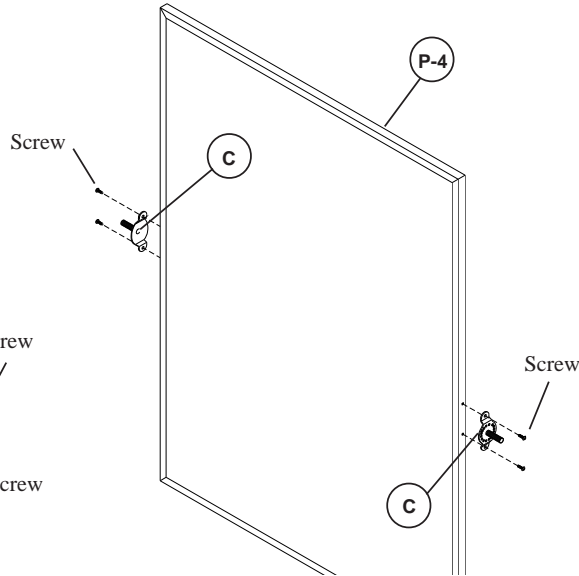
Hardware List

| | | | |
|---|---|-----------------------|------|
| A |  | Phillips Screw | 2 EA |
| B |  | Phillips Drill Screw | 6 EA |
| C |  | Flange | 2 EA |
| D |  | Knob | 2 EA |
| E |  | 3" Locking Caster | 2 EA |
| F |  | 3" Non-Locking Caster | 2 EA |
| G |  | Caster Wrench | 1 EA |




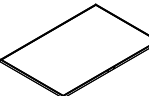
3 Remove 2 Screws from each side of Framed Board (P4).



4 Attach 2 Flanges (C) to the Framed Board (P-4) using 4 Screws removed in Step #3.

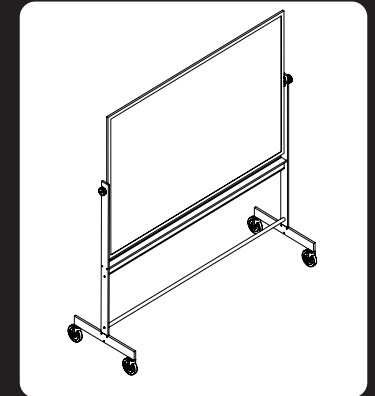


Parts List

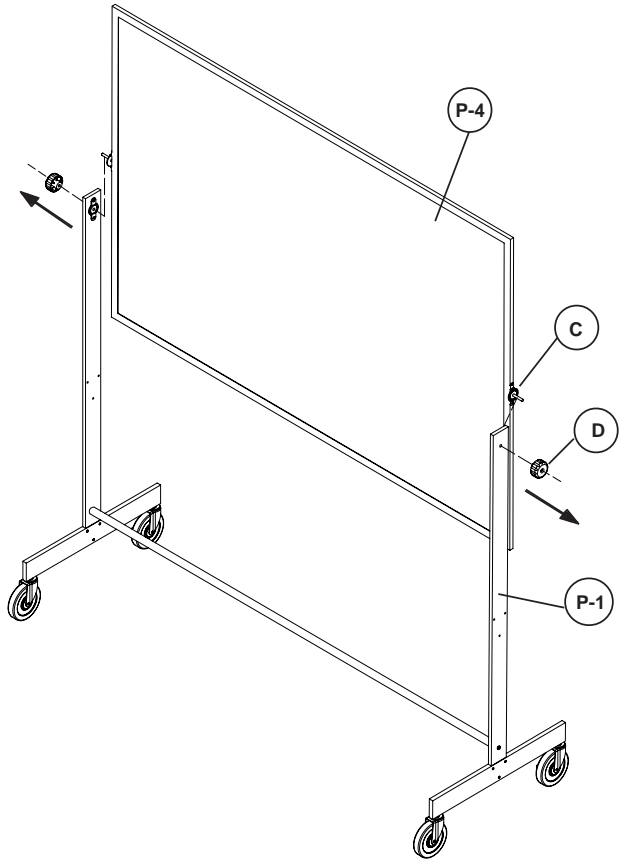
| | | | |
|-----|---|--------------|------|
| P-1 |  | Leg | 2 EA |
| P-2 |  | Tray | 1 EA |
| P-3 |  | Cross Brace | 1 EA |
| P-4 |  | Framed Board | 1 EA |



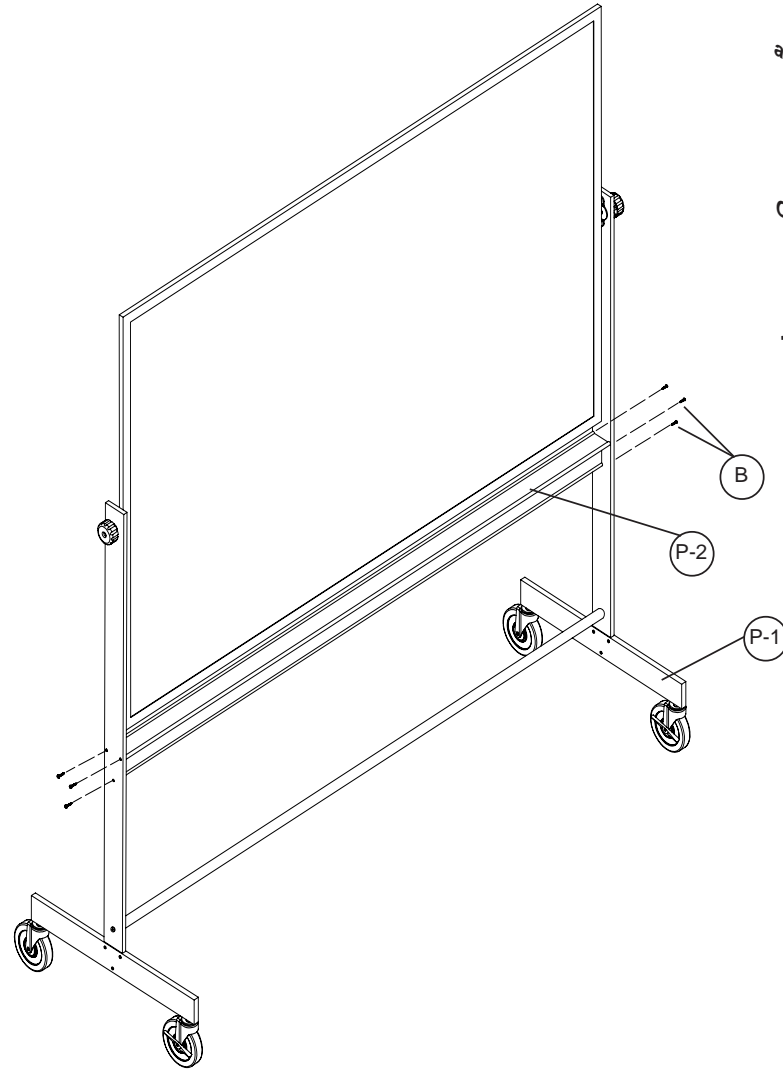
#668AC, AF & AG
Aluminum Reversible



5 Spread the frame assembly at the top and insert the Framed Board(P-4) between Legs(P-1) and attach Flanges (C) to the legs using 2 Knobs (D).



6 Assemble Tray (P-2) to Legs (P-1) using 6 Drill Screws (B).



7 Tighten All Screws using a Phillips Screwdriver.

Should you require
assistance during
assembly, please call
our Customer
Service Department
Monday - Friday
8 a.m. - 5 p.m.
Central Standard Time

Toll-Free
Customer Service
1-800-749-2258

Do not use unless all screws are tight. At least every six months, check all screws to be sure they are tight. If parts are missing, broken, damaged, or worn, stop use of the product until repairs are made by your dealer using factory authorized parts.