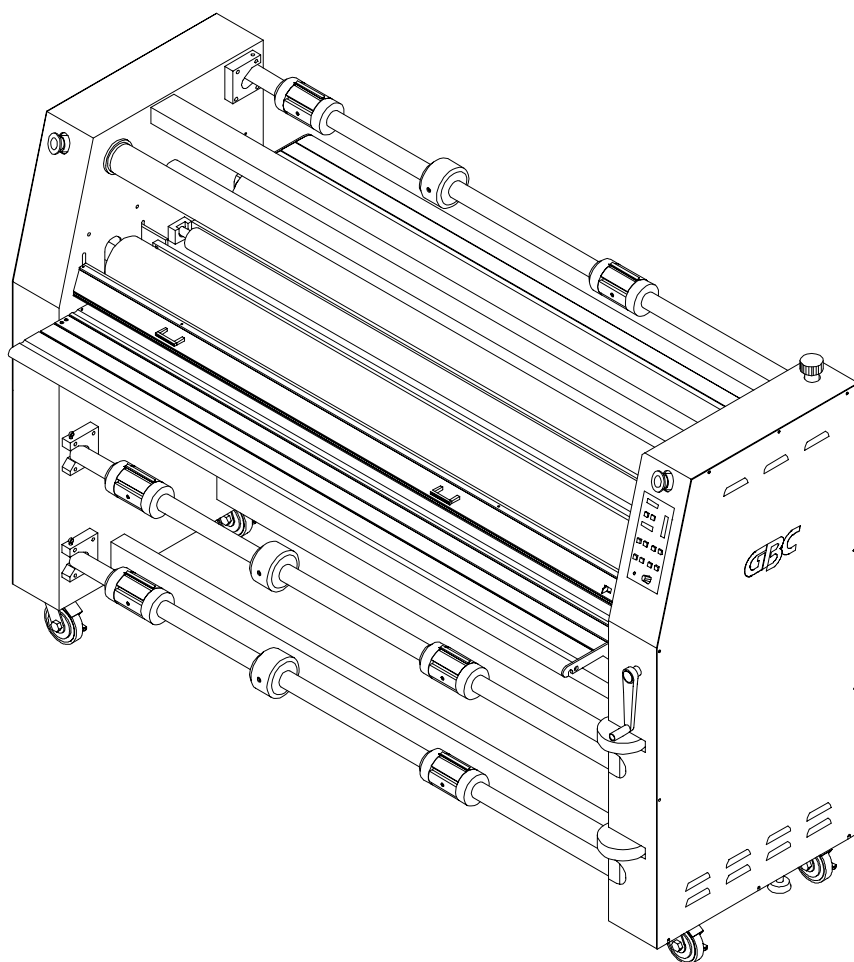


GBC FALCON 60+ (-1) OPERATION AND MAINTENANCE MANUAL



Operating Instructions

- I** Istruzioni per l'Uso
- D** Bedienungsanleitungen
- NL** Gebruiksaanwijzing
- F** Mode d'Emploi
- E** Manual de Operación

The information in this publication is provided for reference and is believed to be accurate and complete. General Binding Corporation (GBC) is not liable for errors in this publication or for incidental or consequential damage in connection with the furnishing or use of the information in this publication, including, but not limited to, any implied warranty of fitness or merchantability for any particular use.

GBC reserves the right to make changes to this publication and to the products described in it without notice. All specifications and information concerning products are subject to change without notice.

Reference in this publication to information or products protected by copyright or patent does not convey any license under the rights of GBC or others. GBC assumes no liability arising from infringements of patents or any other rights of third parties.

This publication is copyrighted © 2003 by GBC. All rights reserved. The information contained in this publication is proprietary and may not be reproduced, stored, transmitted, or transferred, in whole or in part, in any form without the prior and express written permission of GBC.

I

Le informazioni contenute in questo documento sono fornite a titolo di riferimento e sono considerate corrette e complete. General Binding Corporation (GBC) non si responsabilizza di eventuali errori contenuti in questo documento, né di danni incidentali o conseguenti relazionati con la fornitura e l'uso delle informazioni in questo documento, includendo senza limitazioni qualsiasi garanzia d'idoneità o commerciabilità per qualsiasi uso particolare.

GBC si riserva il diritto di effettuare cambi a questo documento e ai prodotti in esso descritti senza preavviso. Tutte le specifiche e le informazioni sui prodotti sono soggette a cambio senza preavviso.

In questo documento le referenze a informazioni e prodotti protetti da diritti di proprietà intellettuale o brevetti non trasferiscono nessuna licenza alla quale abbiano diritto GBC o altri. GBC non assume nessuna responsabilità derivante dalla violazione di brevetti o di qualsiasi altro diritto di terzi.

Copyright © 2003 Questo documento è soggetto ai diritti di proprietà intellettuale di GBC. Riservati tutti i diritti. Le informazioni contenute in questo documento sono di proprietà esclusiva e non possono essere riprodotte, conservate, trasferite, in tutto o in parte ed in modo alcuno, senza la previa autorizzazione espressa e per iscritto di GBC.

D

Die Informationen in dieser Druckschrift werden als Richtlinien zur Verfügung gestellt und sind unseres Wissens richtig und vollständig. General Binding Corporation (GBC) lehnt jede Haftung für Fehler in dieser Druckschrift sowie für Schadenersatz oder Folgeschäden im Zusammenhang mit der Bereitstellung oder Verwendung der hierin enthaltenden Informationen ab, ein- aber nicht ausschließlich die Gewährleistung für Eignung und handelsübliche Qualität für einen bestimmten Zweck.

GBC behält sich das Recht vor, diese Druckschrift und die darin beschriebenen Produkte ohne Vorankündigung zu ändern. Alle die Produkte betreffenden Leistungsbeschreibungen und Informationen können jederzeit ohne Vorankündigung geändert werden.

Durch die Bezugnahmen in dieser Druckschrift auf urheberrechtlich oder durch ein Patent geschützte Informationen oder Produkte werden keine Rechte von GBC oder Dritten übertragen. GBC lehnt jede Haftung für Patentverletzungen sowie für die Verletzung anderer Rechte von Dritten ab.

Diese Druckschrift ist durch GBC urheberrechtlich geschützt (© 2003). Alle Rechte vorbehalten. Die Informationen in dieser Druckschrift sind gesetzlich geschützt und dürfen ohne vorherige und ausdrückliche schriftliche Genehmigung von GBC in keiner Weise weder ganz noch teilweise vervielfältigt, aufbewahrt, weiter verbreitet oder übertragen werden.

NL

De informatie in deze publicatie geldt slechts ter verwijzing en wordt nauwkeurig en volledig geacht. General Binding Corporation (GBC) is niet aansprakelijk voor fouten in deze publicatie of voor incidentele of voortvloeiende schade in verband met het verschaffen of gebruik van de informatie in deze publicatie, inclusief, maar niet beperkt tot stilzwijgende garanties van geschiktheid voor een bepaald doel of verkoopbaarheid.

GBC behoudt zich het recht voor om zonder voorafgaande kennisgeving wijzigingen te maken in deze publicatie en in de producten die hierin worden beschreven. Alle specificaties en informatie m.b.t. producten kunnen zonder voorafgaande kennisgeving gewijzigd worden.

Verwijzingen in deze publicatie naar informatie of producten beschermd door copyrights of patenten houdt geen licenties onder de rechten van GBC of anderen in. GBC is niet aansprakelijk voor schendingen van patenten of andere rechten van derden.

De publicatie is auteursrechtelijk beschermd, copyright © 2003 door GBC. Alle rechten voorbehouden. De informatie in deze publicatie is eigendom van GBC en mag niet verveelvuldigd, opgeslagen, overgebracht of overgedragen worden, geheel of gedeeltelijk, in welke vorm dan ook zonder voorafgaande en uitdrukkelijke schriftelijke toestemming van GBC.

F

L'information contenue dans cette publication est fournie à titre de référence et elle est considérée exacte et complète. General Binding Corporation (GBC) n'est pas responsable des erreurs contenues dans cette publication ni des dommages indirects ou consécutifs portant sur l'utilisation ou la présentation de l'information de ce document, y compris, mais sans s'y limiter, toute garantie implicite de commercialité ou d'adaptation à un usage particulier.

GBC se réserve le droit d'apporter des modifications à cette publication et aux produits qui y sont décrits sans préavis. Toutes les spécifications et l'information au sujet des produits sont sujettes à changements sans préavis.

Toute référence à l'information ou aux produits protégés par un droit d'auteur ou un brevet présentée dans ce document ne porte aucune licence sous les droits de GBC ou d'autres parties. GBC n'assume aucune responsabilité découlant de contraventions aux brevets ou à tout autre droit de tierces parties.

Cette publication est protégée par un droit d'auteur © 2003 de GBC. Tous droits réservés L'information contenue dans cette publication est privative et ne peut pas être reproduite, mise en mémoire, transmise ou transférée, en partie ou en entier, sous quelque forme que ce soit sans la permission écrite préalable et expresse de GBC.

E

La información contenida en esta publicación es proporcionada a título de referencia y se considera que es precisa y completa. General Binding Corporation (GBC) no es responsable por errores contenidos en esta publicación o por daños consecuentes o incidentales relacionados con la disponibilidad o el uso de la información en esta publicación, incluyendo y sin limitarse a, cualquier garantía de aptitud y comerciabilidad para cualquier uso específico.

GBC se reserva el derecho de hacer cambios en esta publicación y a los productos descritos en la misma sin aviso previo. Todas las características y la información referente a los productos, están sujetas a cambios sin aviso previo.

Las referencias en esta publicación a información o productos protegidos por derechos de propiedad intelectual o por patentes no otorga ninguna licencia amparada por los derechos de GBC u otros. GBC no asume ninguna responsabilidad que se derive de la violación de patentes u otros derechos de terceras partes.

Copyright © 2003 Esta publicación está amparada por derechos de propiedad intelectual de GBC. Todos los derechos reservados. La información contenida en este documento es de propiedad exclusiva y no puede reproducirse, almacenarse, transmitirse o transferirse, en su totalidad o en partes, y de ninguna manera, sin la autorización previa y por escrito de GBC.

TABLE OF CONTENT

Cover	1
Blank page	2
Disclaimer	3
Table of Content	4
Important Safety Instructions	8
Important Safeguards	10
General	10
Electrical	10
Service	10
Warranty	12
Specifications	14
Pre-Installation	16
Installation	18
Features Guide	20
Power Switch	20
Control Panel Indicators	20
Control Panel Buttons	20
E-Stop	22
Safety Shield Interlock Latch	22
Safety Shield	24
Feed Table	24
Chill Idler	24
Film Shaft	24
Main Rollers	24
Idler Bar	24
Pull Rollers	24
Rewind Tube	24
Film Shaft Brake	26
Core Adaptors	26
Center Core Support	26
Rewind Brake	26
Main Roller Crank Handle	26
Pull Roller Crank Handle	26
Cooling Fans	26
Clutch	26
Accelerator Footswitch	26
Rear Table Latches	28
Rear Table	28
Rear Run/ Stop Switch	28
Film Web	28
Nip Point	28
Rear Slitter	28
Separator Bar	28

NL

F

E

--	--	--

Operating Instructions	30
Film Loading and Threading	30
Webbing Thermal Film	32
Webbing PSA Film	34
Start Laminating	36
Tacking New Film	38
Unweb the Laminator	40
Clearing a Film Jam	40
Pre-Coating	42
Mounting Pre-Coated Boards	42
Single Sided Lamination	42
Creating a Decal	44
Mounting a Decal	44
Thermal Encapsulation	44
Accushield	46
Custom Application #1	46
Custom Application #2	46
Speed / Temperature Guide	48
Chart °F	48
Chart °C	49
The Art Of Lamination	50
Basic Rules	50
Film Tension	50
Heat	52
Output	52
Maintenance	54
Caring for the Falcon 60+ (-1)	54
Troubleshooting Guide	56
Service Agreement	56

NL

F

E

--	--	--

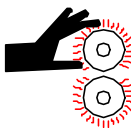
IMPORTANT SAFETY INSTRUCTIONS

YOUR SAFETY AS WELL AS THE SAFETY OF OTHERS IS IMPORTANT TO GBC. IN THIS INSTRUCTION MANUAL AND ON THE PRODUCT, YOU WILL FIND IMPORTANT SAFETY MESSAGES REGARDING THE PRODUCT. READ THESE MESSAGES CAREFULLY. READ ALL OF THE INSTRUCTIONS AND SAVE THESE INSTRUCTIONS FOR LATER USE.

⚠ THE SAFETY ALERT SYMBOL PRECEDES EACH SAFETY MESSAGE IN THIS INSTRUCTION MANUAL. THE SYMBOL INDICATES A POTENTIAL PERSONAL SAFETY HAZARD TO YOU OR OTHERS, AS WELL AS PRODUCT OR PROPERTY DAMAGE. THE FOLLOWING WARNINGS ARE FOUND UPON THIS PRODUCT.

⚠ ADVERTENCIA	⚠ ATTENTION		⚠ WARNING
Riesgo de choque eléctrico. No abra. Adentro no hay piezas reparables por el usuario. Mantenimiento solamente por personal calificado.	Risque de secousse électrique. Ne pas ouvrir. Pas de pièces réparables par l'utilisateur. Entretien seulement par personnel qualifié.		Electrical shock hazard. Do not open. No user serviceable parts inside. Refer servicing to qualified service personnel.

THIS SAFETY MESSAGE MEANS THAT YOU COULD BE SERIOUSLY HURT OR KILLED IF YOU OPEN THE PRODUCT AND EXPOSE YOURSELF TO HAZARDOUS VOLTAGE.

⚠ ADVERTENCIA	⚠ ATTENTION		⚠ CAUTION
RODILLOS CALIENTES. PUNTO DE PINCHAMIENTO. Mantener manos y ropa a distancia.	ROULEAUX CHAUDS. POINT DE PINCEMENT. Tenir mains et vêtements à l'écart.		HOT ROLLS. PINCH POINT. Keep hands and clothing away.

THIS SAFETY MESSAGE MEANS THAT YOU COULD BE BURNED AND YOUR FINGERS AND HANDS COULD BE TRAPPED AND CRUSHED IN THE HOT ROLLERS. CLOTHING, JEWELRY AND LONG HAIR COULD BE CAUGHT IN THE ROLLERS AND PULL YOU INTO THEM.

⚠ ADVERTENCIA	⚠ ATTENTION		⚠ CAUTION
NAVAJA FILOSA. Mantener manos y dedos a distancia.	LAME COUPANTE. Tenir mains et doigts à l'écart.		SHARP BLADE. Keep hands and clothing away.

THIS SAFETY MESSAGE MEANS THAT YOU COULD CUT YOURSELF IF YOU ARE NOT CAREFUL.

⚠ WARNING: THE SAFETY ALERT SYMBOL PRECEDES EACH SAFETY MESSAGE IN THIS INSTRUCTION MANUAL. THE SYMBOL INDICATES A POTENTIAL PERSONAL SAFETY HAZARD TO YOU OR OTHERS, AS WELL AS PRODUCT OR PROPERTY DAMAGE.

⚠ WARNING: DO NOT ATTEMPT TO SERVICE OR REPAIR THE FALCON 60+ (-1) LAMINATOR.

⚠ WARNING: DO NOT CONNECT THE LAMINATOR TO AN ELECTRICAL SUPPLY OR ATTEMPT TO OPERATE THE LAMINATOR UNTIL YOU HAVE COMPLETELY READ THESE INSTRUCTIONS. MAINTAIN THESE INSTRUCTIONS IN A CONVENIENT LOCATION FOR FUTURE REFERENCE.

--	--	--

IMPORTANT SAFEGUARDS



WARNING: TO GUARD AGAINST INJURY, THE FOLLOWING SAFETY PRECAUTIONS MUST BE OBSERVED IN THE INSTALLATION AND USE OF THE LAMINATOR.

General

Keep hands, long hair, loose clothing, and articles such as necklaces or ties away from the front of the heat and pull rollers to avoid entanglement and entrapment.

The heat rollers can reach temperatures over 300° F. Avoid contact with the heat rollers during operation or shortly after power has been removed from the laminator.

Keep hands and fingers away from the path of the sharp film cutter blade located at the film exit.

Do not use the laminator for other than its intended purpose.

Avoid moving the laminator on uneven floor surfaces. Never tilt the laminator.

Do not defeat or remove electrical and mechanical safety equipment such as interlocks, shields and guards.

Do not insert objects unsuitable for lamination or expose the equipment to liquids.

Electrical

The laminator should be connected only to a source of power as indicated in these instructions and on the serial plate located on the rear of the laminator.

Contact an electrician should the attachment plug provided with the laminator not match the receptacles at your location.



CAUTION: The receptacle must be located near the equipment and easily accessible.

Do not operate the laminator with a damaged power supply cord or attachment plug, upon occurrence of a malfunction, or after the laminator has been damaged. Contact GBC's Technical Service Department or your dealer/distributor for assistance.

Service

Perform only the routine maintenance procedures referred to in these instructions.



WARNING: Do not attempt to service or repair the laminator.

Disconnect the plug from the receptacle and contact GBC's Technical Department or your dealer/distributor when one or more of the following has occurred.

- The power supply cord or attachment plug is damaged.
- Liquid has been spilled into the laminator.
- The laminator is malfunctioning after being mishandled.
- The laminator does not operate as described in these instructions.

--	--	--

WARRANTY

GBC warrants to the original purchaser for a period of ninety (90) days after installation that this laminator is free from defects in workmanship and material under normal use and service. GBCs' obligation under this warranty is limited to replacement or repair, at GBCs' option, of any part found defective by GBC without charge for material or labor.

This warranty is in lieu of all other warranties expressed or implied. **WARRANTIES OF MERCHANTABILITY OR FITNESS FOR A PARTICULAR PURPOSE ARE EXPRESSLY EXCLUDED.** Any representations or promises inconsistent with, or in addition to, this warranty are unauthorized and shall not be binding upon GBC. In no event shall GBC be liable for any special, incidental or consequential damages, whether or not foreseeable.

This warranty shall be void if the product has been misused; mishandled; damaged by negligence, by accident, during shipment, or due to exposure to extreme conditions; repaired, altered, moved, or installed by anyone other than GBC or its authorized agents; or if incompatible film was used. GBCs' obligation under this warranty does not include routine maintenance, cleaning, adjustment, normal cosmetic or mechanical wear, nor freight charges.

Without limiting the generality of the previous paragraph, GBCs' obligation under this warranty does not include:

- damage to the pressure rollers or pull rollers caused by knives, razors, or other sharp tool; by any object falling into the working area of the laminator; or by cleaning the rollers with solutions or materials that harm their surfaces;
- damage to Lucite panels or manometer glass caused by mechanical action or by cleaning with solutions or materials that harm those surfaces; nor
- damage to the outer finish caused by mechanical action or by cleaning with solutions or materials that harm the outer finish.

For proper cleaning procedures, see the "**CARING FOR YOUR LAMINATOR**" chapter.

For European Union Residents Only: This guarantee does not affect the legal rights which consumers have under applicable national legislation governing the sale of consumer goods.

NL

F

E

--	--	--

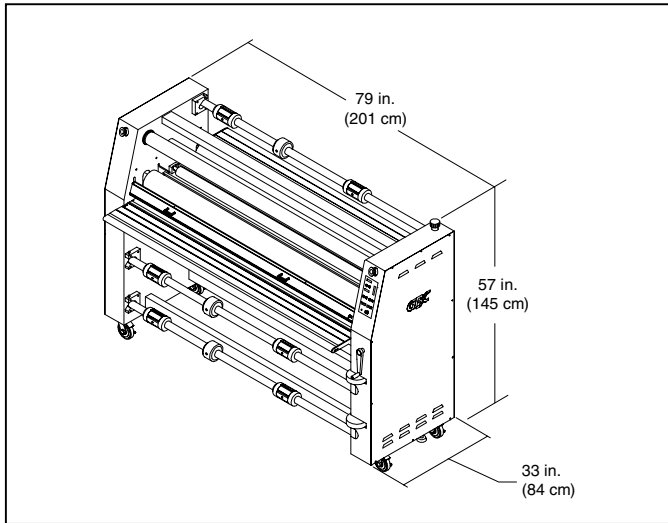


Fig. 1

SPECIFICATIONS

Operating Speed:

0 fpm to 18 fpm (5 mpm)

Maximum Film Width:

60 in. (152 cm)

Maximum Mounting Gap:

3/4 in. (1.91 cm)

Maximum Temperature:

270 °F (132 °C)

Dimensions (W x L x H):

Unit alone: (Figure 1)

79 in. x 33 in. x 57 in.

(201 cm x 84 cm x 145 cm)

Shipping:

85 in. x 44.5 in. x 78 in.

(216 cm x 113 cm x 198 cm)

Weight:

Unit alone: 1498 lb. (679 kg.)

Shipping: 1900 lb. (862 kg.)

Electrical Requirements:

Refer to the serial plate located on the rear of the laminator for the specific electrical rating applicable to the unit.

Voltage: 220V~60 Hz

Current: 24.5A

Power: 5500 W

Phase: Single

FCC NOTE: This equipment has been tested and found to comply with the limits for a Class A digital device, pursuant to part 15 of the FCC Rules. These limits are designed to provide reasonable protection against harmful interference when the equipment is operated in a commercial environment. This equipment generates, uses, and can radiate radio frequency energy and, if not installed and used in accordance with the instruction manual, may cause harmful interference to radio communications. Operation of this equipment in a residential area is likely to cause harmful interference in which case the user will be required to correct the interference at his/ her own expense.

Changes or modifications not expressly approved by General Binding Corporation could void the users authority to operate the equipment.

This Class A digital apparatus complies with Canadian ICES-003. (Cet appareil numérique de la Classe A est conforme à la norme NMB-003 du Canada)

D

NL

F

E

--	--	--	--

PRE-INSTALLATION

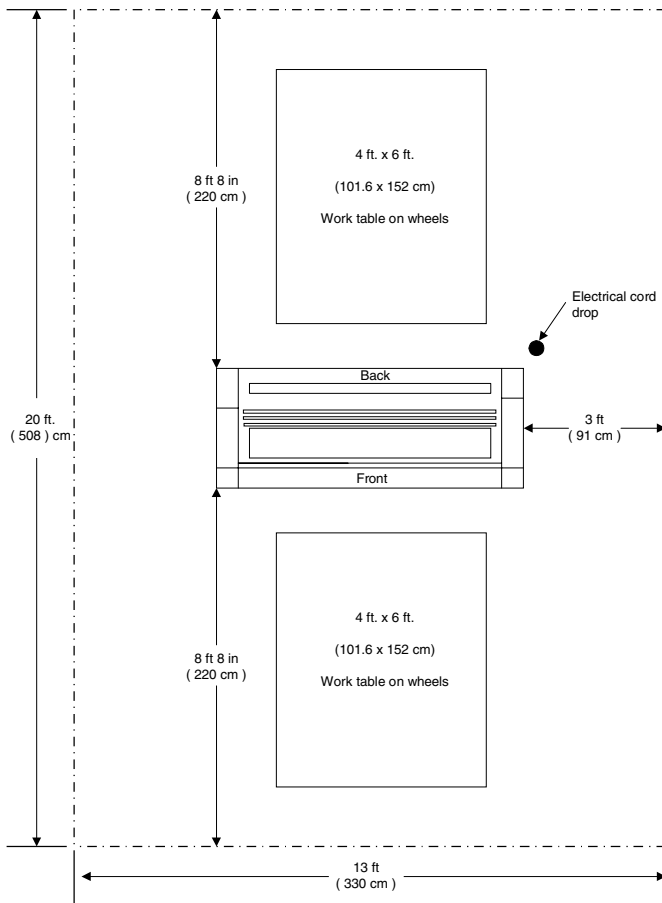


Fig. 2

Before a Falcon 60+ (-1) Laminator can be installed, ensure the following requirements are met;

1. Are door ways and hallways wide enough for the laminator to be moved to the installation site?
2. Is there ample room for the laminator?
 - A work area must be established that allows for operation in both the front and rear of the laminator and provides space for efficient material flow. (Figure 2)
3. Is the environment appropriate for the laminator?
 - The laminator requires a clean, dust and vapor free environment to operate properly.
 - Avoid locating the laminator near sources of heat or cold. Avoid locating the laminator in the direct path of forced, heated or cooled air.

⚠ Air flow can cause uneven heating/ cooling of the rollers and result in poor output quality.
4. Have you contacted a certified electrician to wire the receptacle and ensure that adequate power is being supplied, having the appropriate capacity, over current protection and safety lockouts available?
 - 220V at 60hz with 25 amp service. Use the receptacle supplied with your machine.

D

NL

F

E

--	--	--	--

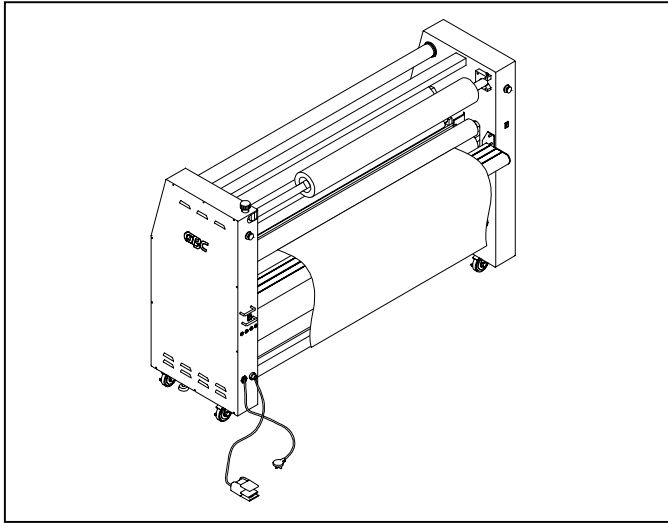


Fig. 3

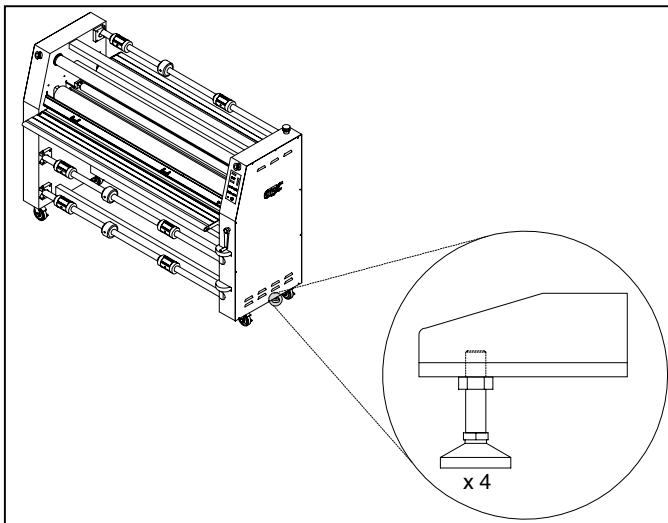


Fig. 4

Fig. 5

INSTALLATION

1. **Shipping damage should be brought to the immediate attention of the delivering carrier.**
2. With assistance, carefully roll the laminator into position over flat and even surfaces.
3. The laminator should be positioned to allow exiting film to flow freely to the floor (Figure 3) or a work table. Accumulation of laminate immediately behind the laminator as it exits the equipment may cause the film to wrap around the pull rollers, resulting in a "jammed" condition.
4. Avoid locating the laminator near sources of heat or cold. Avoid locating the laminator in the direct path of forced, heated or cooled air.
5. Leveling of the machine is a customer option. If you choose not to level the laminator and encounter output problems, please level the machine and try your application again before calling for technical support. Resting the laminator on the leveling pads prevent the machine from rolling during set up, operation or servicing. (Figure 4)
6. Connect the attachment plug provided with the laminator to a suitably grounded outlet. **Avoid connecting other equipment to the same branch circuit to which the laminator is connected, as this may result in nuisance tripping of circuit breakers or blowing fuses.**

D

NL

F

E

--	--	--	--

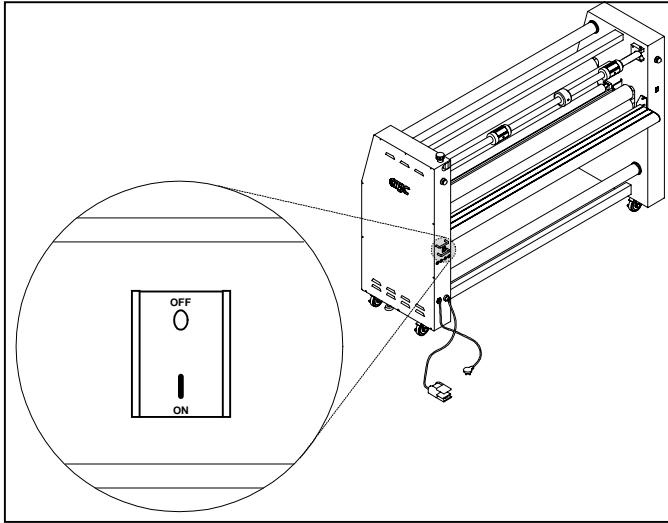


Fig. 5

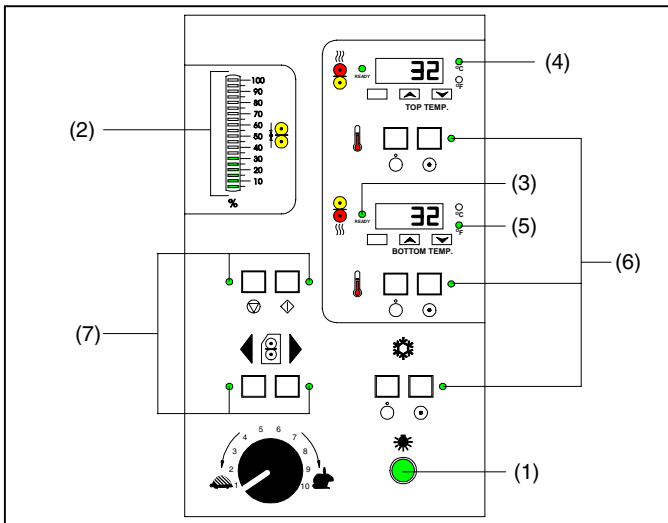


Fig. 6

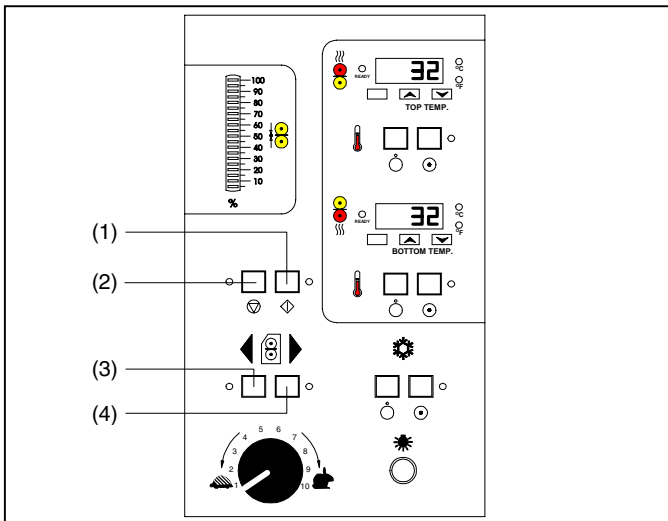






Fig. 7

FEATURES GUIDE





A. POWER ON/ OFF: (Figure 5)

Located at the back left of the machine applies power to the laminator. The control panel display will illuminate when position marked "I" is pushed. The off position, marked "O", removes power from the laminator.

B. CONTROL PANEL INDICATORS: (Figure 6)

1. **POWER INDICATOR** : Illuminates when the laminator is plugged in and **POWER ON/OFF** is in the on, (I), position.
2. **PRESSURE INDICATOR** : Illuminates in increments to correspond with the amount of pressure at the main roller nip. Pressure is represented by percent from 0 (minimal) to 100 (maximum).
3. **READY INDICATOR:** "READY" Illuminates when the actual temperature is equal to (+/- 5) set temperature.
4. **°C INDICATOR:** "°C" Illuminates indicating the displayed value is in degrees Celcius.
5. **°F INDICATOR:** "°F" Illuminates indicating the displayed value is in degrees Farenheit.
6. **ON INDICATORS** : Located near the heater and cooling fan on buttons. Illuminates when the related on button is pressed.
7. **SELECTION INDICATORS** : Located near the start/ stop and foward/ reverse buttons. Illuminates when the selected button is pressed.

C. CONTROL PANEL BUTTONS: (Figure 7)

1. **START** : When pressed, indicator illuminates and activates rollers for normal operation.
2. **STOP** : When pressed, indicator illuminates and stops the movement of the rollers.
3. **REVERSE** : When pressed, indicator illuminates and sets the motor direction for reverse roller movement to clear film jams and wrap-ups.
4. **FORWARD** : When pressed, indicator illuminates and sets the motor direction for forward roller movement to run in normal operation mode.

D

NL

F

E

--	--	--	--

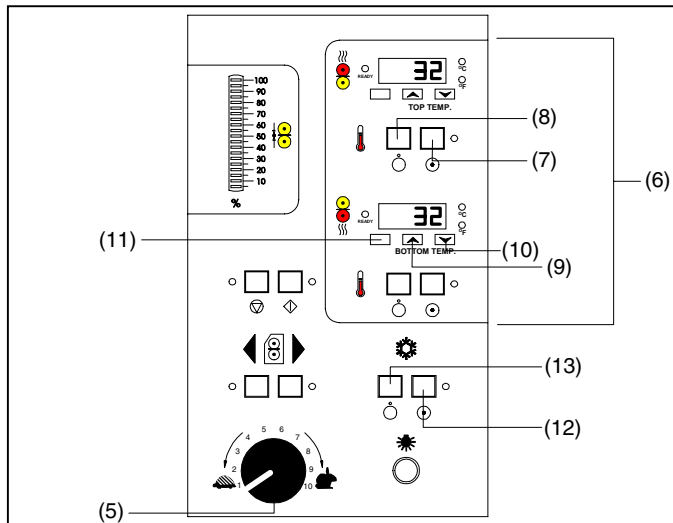


Fig. 8

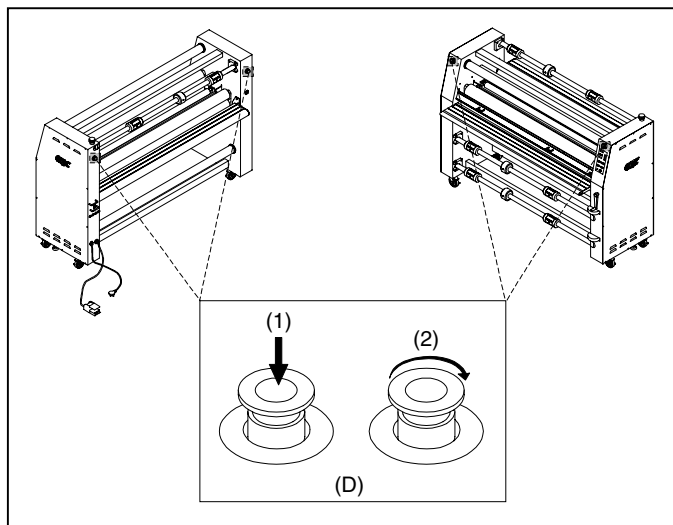


Fig. 9

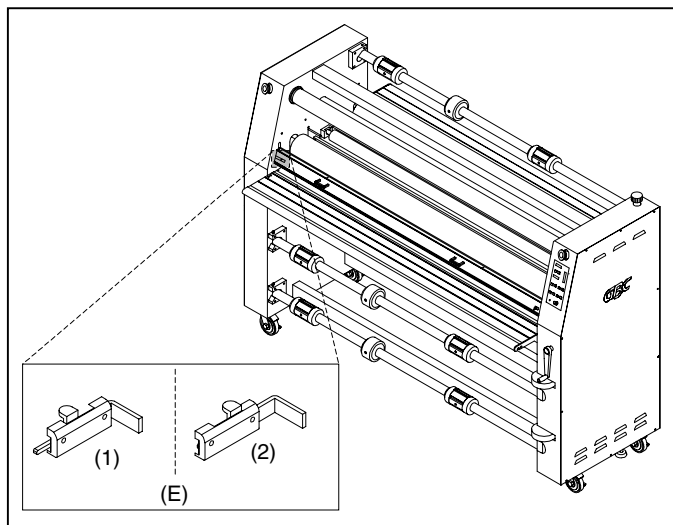



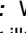
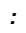



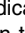




Fig. 10

For items 5 -13, refer to Figure 8.

- 5. **SPEED**  : This means machine roller speed. Turn clockwise to increase speed or counterclockwise to decrease speed. Speed range is 1 - 10.
- 6. **TEMPERATURE CONTROLS:** The upper and lower heaters have identical controls, on, off, increase, decrease and measure. The top set of controls relate to the upper heater  and the lower set of controls relate to the lower heater .
- 7. **TEMPERATURE CONTROL ON**  : When pressed, indicator illuminates and turns power on to the temperature controller unit.
- 8. **TEMPERATURE CONTROL OFF**  : When pressed, turns power off to the temperature controller unit.
- 9. **TEMPERATURE INCREASE**  : When pressed, increases the temperature set point value.
- 10. **TEMPERATURE DECREASE**  : When pressed, decreases the temperature set point value.
- 11. **TEMPERATURE MEASURE:** When pressed, flashes the actual temperature of the roller.
- 12. **COOLING ON**   : When pressed, indicator illuminates and turns on the cooling fans.
- 13. **COOLING OFF**   : When pressed, turns off the cooling fans.

D. E-STOP: Four emergency stop buttons exist on the laminator. Two located on the left and right front and two on the left and right rear of the laminator. (Figure 9)

To engage, push (1) any emergency stop push button. Power to the motor is removed. To dis-engage, turn (2) the push button 1/4 turn counterclockwise.

E. SAFETY SHIELD INTERLOCK LATCH: (Figure 10) Used to lock the safety shield into position and activate an interlock switch. The interlock latch is located on the left side of the safety shield. When pushed to the full left (1), the safety shield is locked. When pushed to the full right (2), the safety shield is unlocked.

D

NL

F

E

--	--	--	--

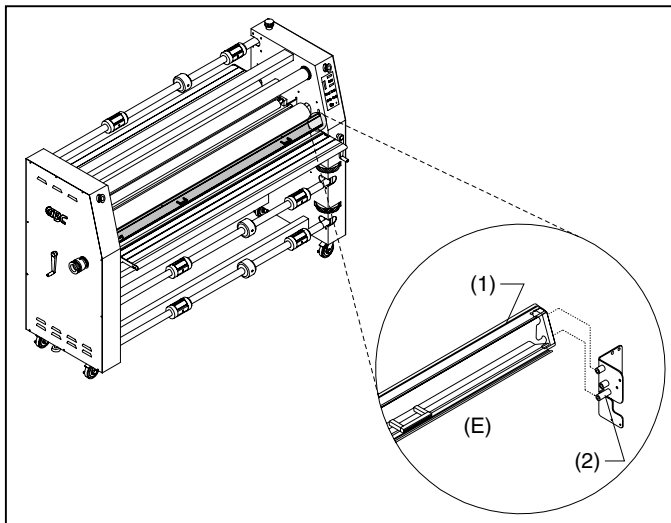


Fig. 11

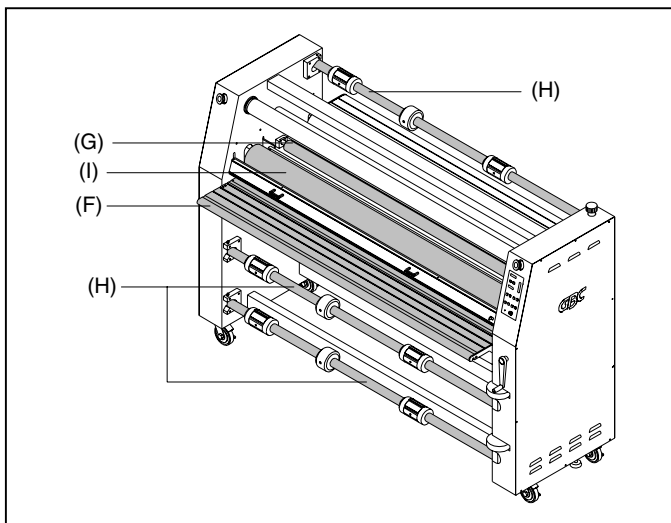


Fig. 12

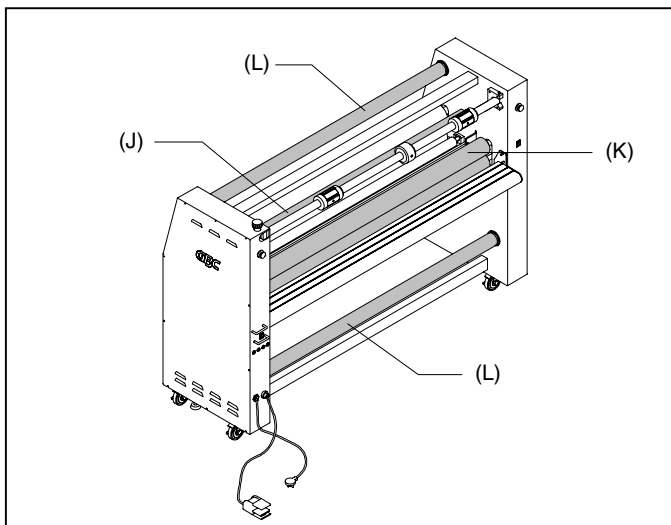


Fig. 13

E. SAFETY SHIELD: (Figure 11) Prevents entanglement, entrapment and inadvertent contact with the heat rollers. **The laminator will operate only when the Safety Shield is located in the fully locked and closed position. Power to the motor is removed when the shield is in the open position or the interlock latch is unlocked.**

To remove the safety shield, unlock the safety shield interlock latch and lift the the safety shield (1) up and away from the safety shield mounting pins (2).

F. FEED TABLE: (Figure 12) The Feed Table is used to position items for lamination. To pivot the feed table, remove the safety shield, lift up on the feed table, pull back, then carefully lower. **The laminator will operate only when the Feed Table is properly installed.**

NOTE: You can not raise or lower the main roller with the table pivoted.

G. CHILL IDLER: (Figure 12) Assist in the cooling process of the web material as it exits the heat rollers.

To remove the chill idler, lift the chill idler straight up and out from the chill idler brackets.

H. FILM SHAFT: (Figure 12) The film shaft holds the film supply on the machine.

I. MAIN ROLLERS: (Figure 12) Silicone rubber coated steel tubes heat the laminating film and compress the heated film to the items being laminated. Heat is provided by an internal heating element. The heat rollers are motor driven for ease of loading new film.

J. IDLER BAR: (Figure 13) The idler bars, located near each heat roller, are used to direct the film to the heat roller nip. The bottom Idler Bar is movable to ease film loading.

K. PULL ROLLERS: (Figure 13) The pull rollers, located at the back of the laminator, are motor driven. They simultaneously pull the film and improve the quality of the laminated item.

L. REWIND TUBE: (Figure 13) The front rewind tube is used to rewind release liner while the rear bottom rewind tube is used to rewind finished product. To remove the rewind tube, push the tube against the rewind brake and remove the tube from the rewind support side.

D

NL

F

E

--	--	--	--

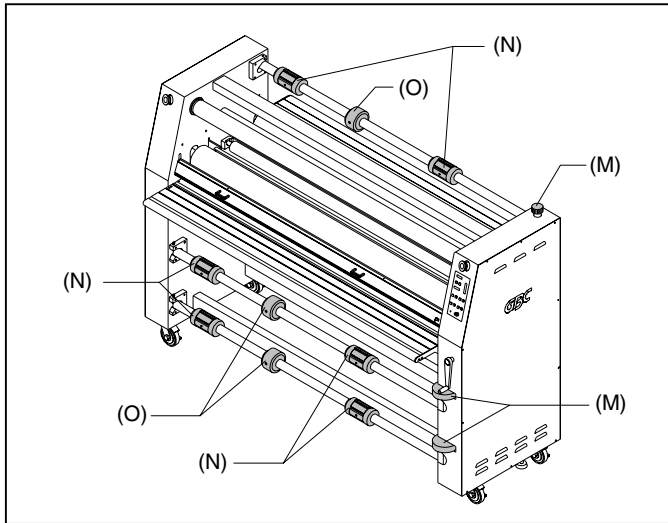


Fig. 14

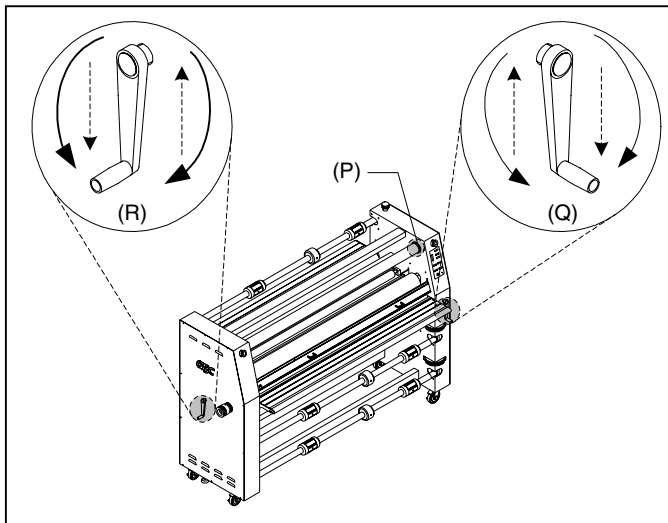


Fig. 15

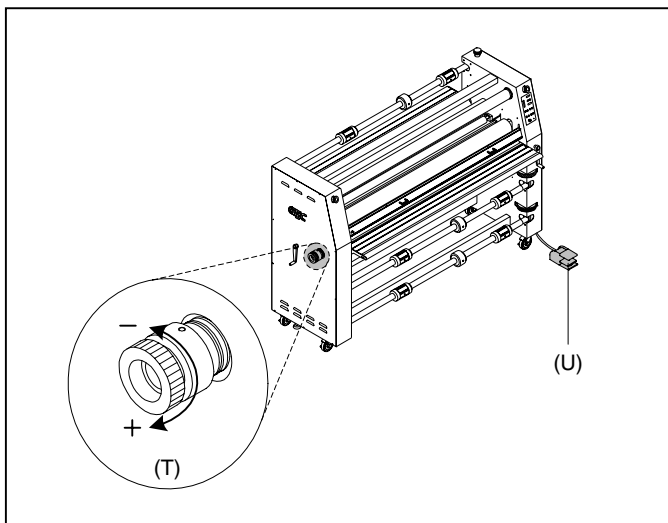


Fig. 16

M. FILM SHAFT BRAKE: (Figure 14) Used to apply resistance to the film shaft. One for the upper unwind and one for each of the lower unwinds.

To increase film shaft brake, turn the film shaft brake dial clockwise. Counter clockwise will decrease film shaft brake tension.

N. CORE ADAPTORS: (Figure 14) Hold and lock the rolls of film on the shafts to prevent side to side shifting.

O. CENTER CORE SUPPORT: (Figure 14) Supports the center of the film cores when placed onto the unwind shafts.

P. REWIND BRAKE: (Figure 15) Located on the right side from the front operating position.

Turn in a forward roller direction to increase rewind brake tension. Reverse roller direction will decrease rewind brake tension.

Q. MAIN ROLLER CRANK HANDLE: (Figure 15) Used to raise or lower the upper main roller. Turning the handle clockwise will lower the roller. Counterclockwise will raise the roller.

NOTE: You can not raise or lower the main roller if the feed table is in the tilted position.

R. PULL ROLLER CRANK HANDLE: (Figure 15) Used to raise or lower the upper pull roller. Turning the handle clockwise will raise the roller. Counterclockwise will lower the roller.

S. COOLING FANS: Assist in the cooling process by pushing unheated air onto the web material as it exits the heated rollers. This feature can be controlled from the control panel.

T. CLUTCH: (Figure 16) Used to increase or decrease pull roller clutch tension. Clockwise rotation will increase clutch tension while counterclockwise rotation decreases clutch tension.

U. ACCELERATOR FOOTSWITCH: (Figure 16) Accelerator means the more you press, the faster the speed. When all safety is in place, the laminator will operate normally. With safety out, speed is reduced to 1mpm.

D

NL

F

E

--	--	--	--

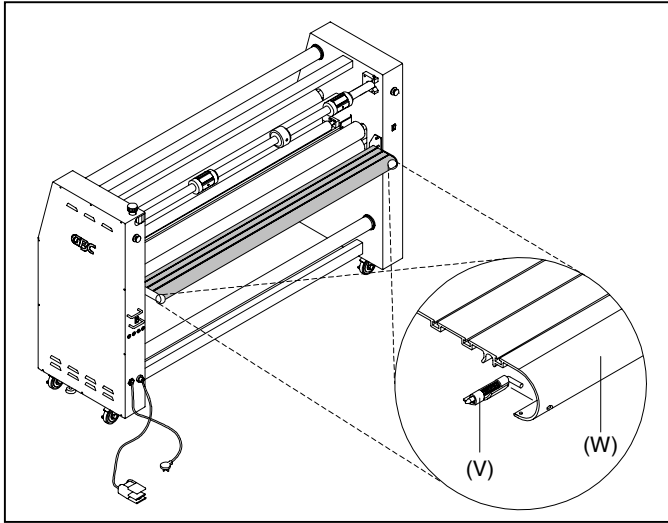


Fig. 17

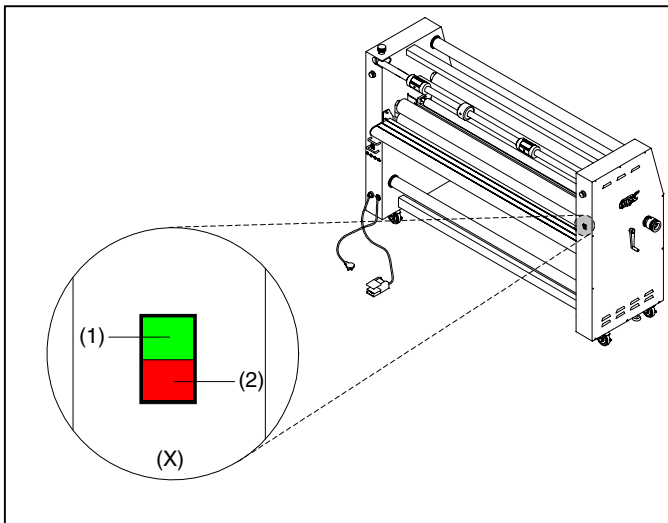


Fig. 18

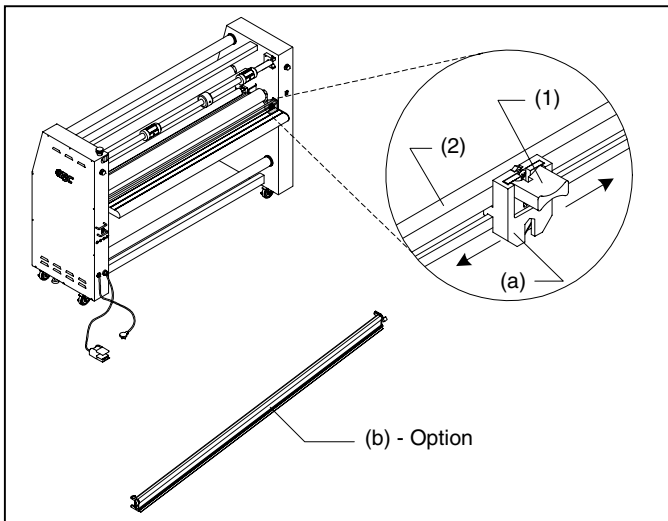


Fig. 19

V. REAR TABLE LATCHES: (Figure 17) Located under the left and right sides of the rear table.

W. REAR TABLE: (Figure 17) Provides a working surface when operating the machine from the rear. This table may also be lowered when webbing for roll to roll applications.

To lower, pull the left and right side rear table latches in and lower the rear table.

X. REAR RUN/STOP SWITCH: (Figure 18) Located on the right side of the laminator from the rear operating position. This switch permits run (1) / stop (2) control of the motor from the rear operating position.

Y. FILM WEB: Laminating film loaded into the machine.

Z. NIP POINT: The point at which the top and bottom rollers come into contact. The Nip Point of the heat rollers is the place at which the items for lamination are introduced into the laminator.

a. REAR SLITTER: (Figure 19) Used to cut off the laminated web. To use, push down on the blade engage lever (1) and slide across the rear slitter rail (2) to the opposite side.

b. SEPARATOR BAR: (Option) (Figure 19) Required if running Accushield™ material. To install, remove the rear slitter and position the separator bar in its place.

(Falcon 60+ (-1) Part # 2020577)

D

NL

F

E

--	--	--	--

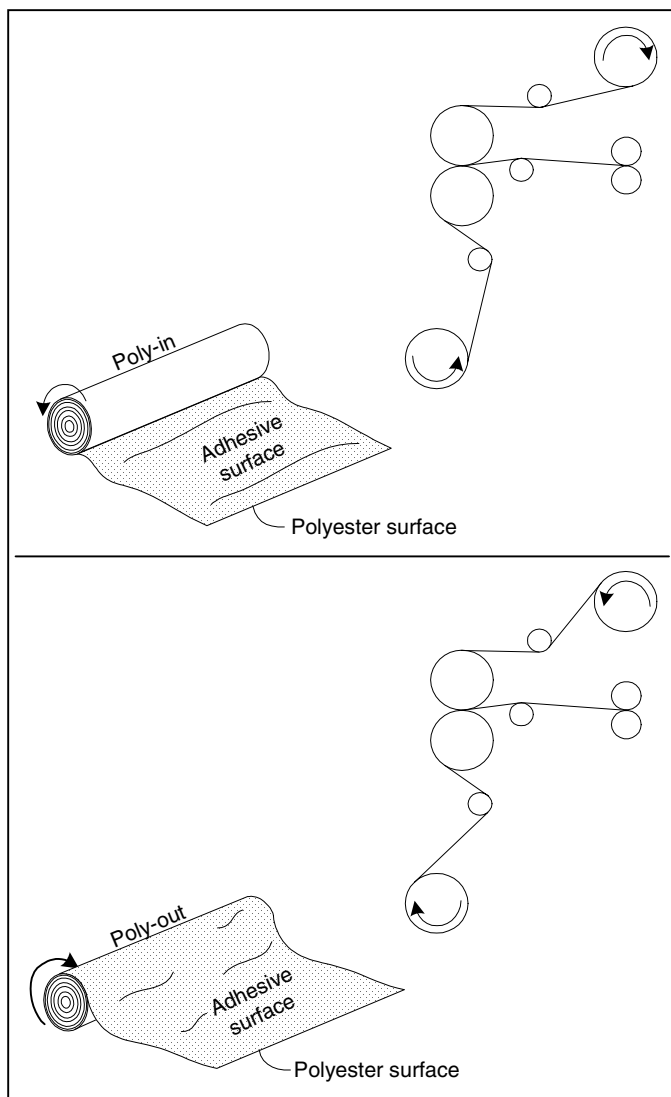


Fig. 20

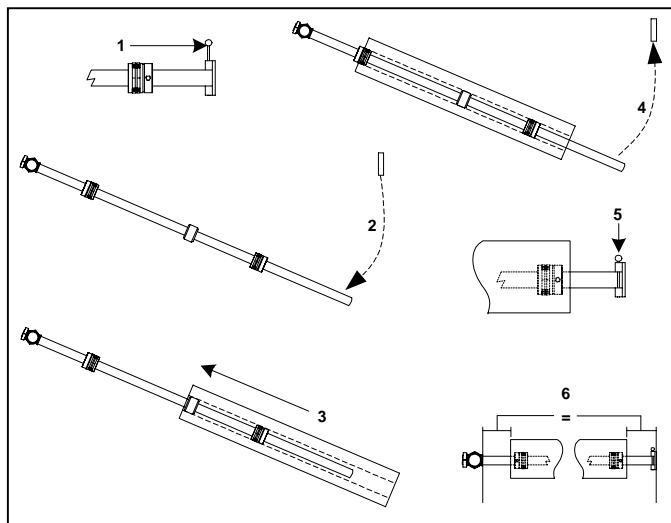


Fig. 21

OPERATING INSTRUCTIONS

FILM LOADING & THREADING

The top and bottom rolls of laminating film must be of the same width and be present simultaneously. A small amount of adhesive will “squeeze out” during lamination. Hardened adhesive deposits can damage the heat rollers. To avoid any damage, select “Low-Prs LAMI.” for job mode (**■**), rotate the rollers at slowest speed with heat on. Refer to the section entitled **CARING FOR THE FALCON 60+ (-1) LAMINATOR** for instructions regarding removal of the accumulated adhesive.

Adhesive will deposit on the rollers if:

- Only one roll is used.
- Different widths of rolls are loaded together.
- Either roll is loaded adhesive side against a heat roller.
- One or both rolls of film are allowed to run completely off its core.

The adhesive side of the film is on the inner side of the web (Figure 20). The shiny side of clear film must contact the heat rollers. The dull side of the film contains the adhesive. Use extreme caution when loading delustered (matte) film as both sides appear dull.

Always change the top and bottom supply rolls at the same time. Near the end of each roll of GBC laminating film is a label stating “Warning-End of Roll”. The appearance of this label on either the top or bottom roll requires that new rolls of film be installed as soon as the item presently being laminated completely exits the rear of the laminator. Do not introduce any additional items into the laminator when the warning label is visible.

To load a roll of film; (Figure 21)

1. Pull the clevis pin up.
2. Swing shaft outward.
3. Slide the roll of film onto the film shaft ensuring adhesive side is out.
4. Push the film shaft back into the film shaft support saddle.
5. Push the clevis pin down.
6. Center the roll of film.

D

NL

F

E

--	--	--	--

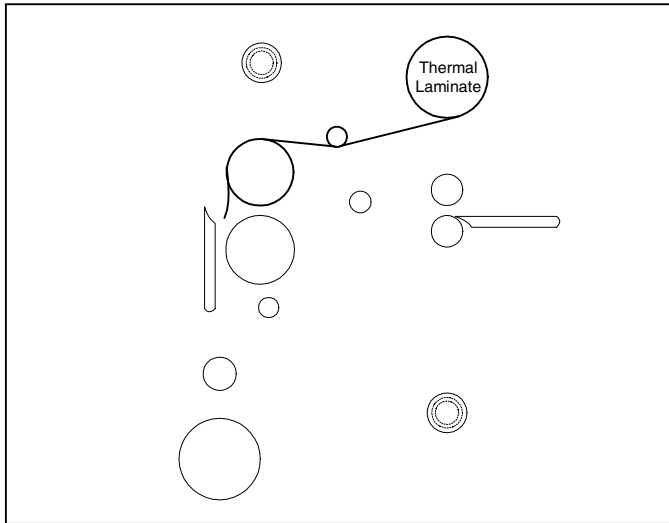


Fig. 22

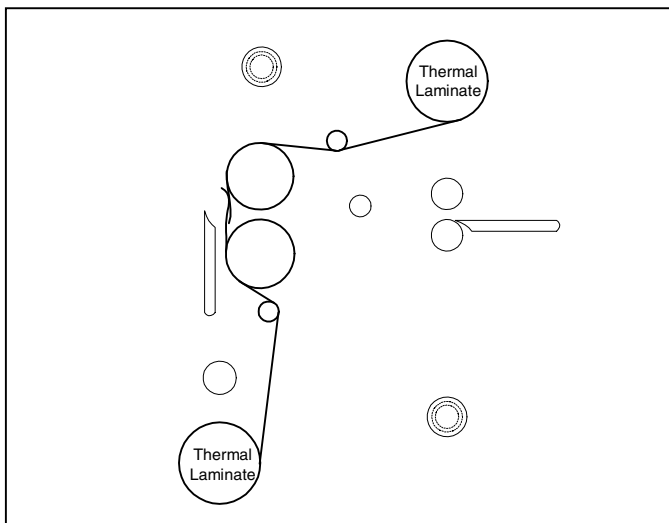


Fig. 23

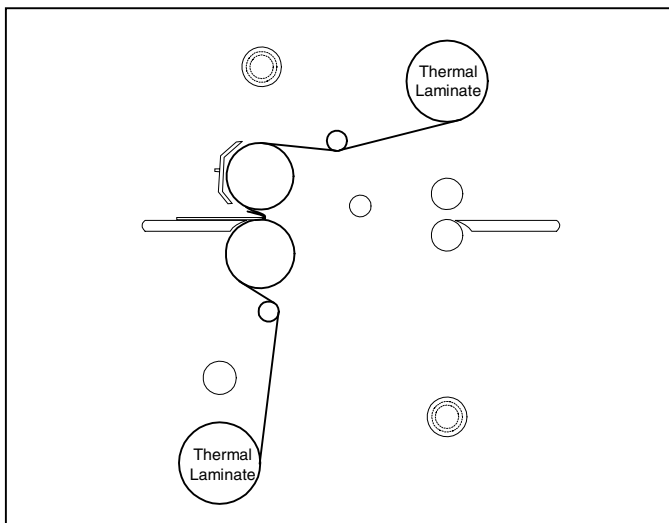


Fig. 24

WEBBING THERMAL FILM USING THREADING CARD

The following procedure uses the film threading card provided with new rolls of GBC film. The laminator rollers will be hot for this procedure. For pressure sensitive film (PSA), refer to the section entitled **WEBBING USING FILM THREADING CARD FOR PSA FILM.**

1. Turn the **Power ON/OFF** to on (I).
2. Set top and bottom temperature with regards to the film type used.
3. Ensure no brake tension is applied to the film shafts.
4. Remove the safety shield and pivot the feed table down.
5. Pull the top roll of film down under the upper idler bar and allow to drape over the top heat roller (Figure 22).
6. Pull the lower film behind the lower idler bar and up towards the film draped over the top heat roller (Figure 23).
7. Use a threading card to push the two materials into the heat roller nip.
8. Pivot the table back to its feeding position while ensuring the threading card is on top of the feed table (Figure 24).
9. Use the main roller pressure handle to bring the main roller to initial contact with the threading card.
10. Replace the safety shield.
11. Set speed to 3 or less.
12. Ensure forward (▶) is selected for motor direction and press the start (◊) button.
13. From the rear of the machine, guide the web over the chill idler, if installed, and through the pull rollers.
14. Once the web has entered the pull roller nip, use the pull roller pressure handle to close the pull roller nip.
15. Once the threading card has completely exited the pull rollers, press the stop (⊙) button.
16. Open the main roller nip.
17. Now refer to the section entitled **START LAMINATING.**

D

NL

F

E

--	--	--	--

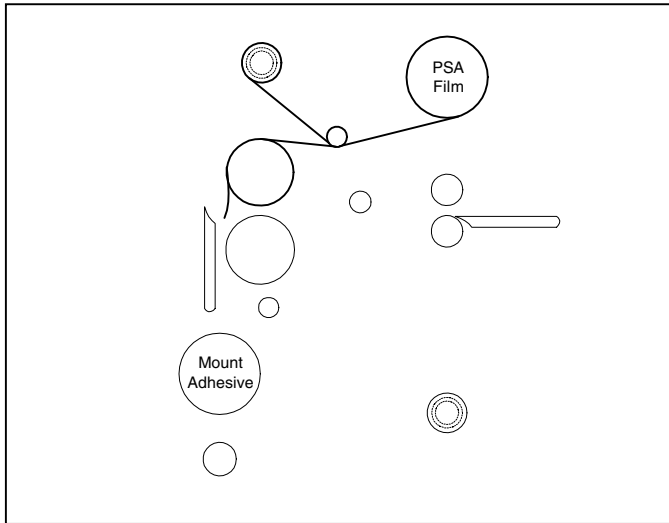


Fig. 25

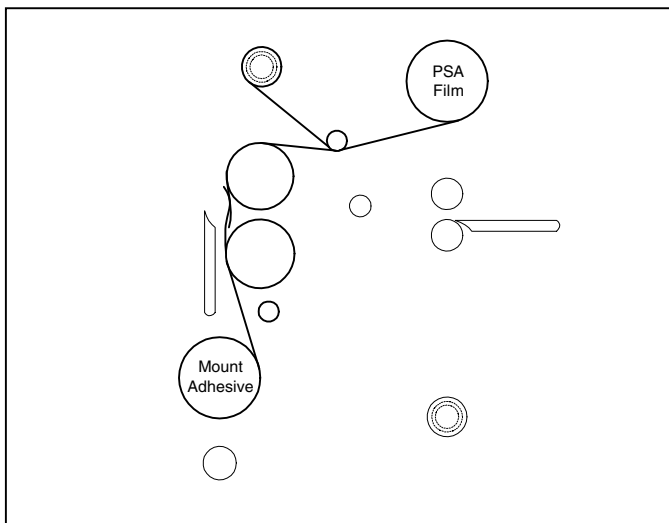


Fig. 26

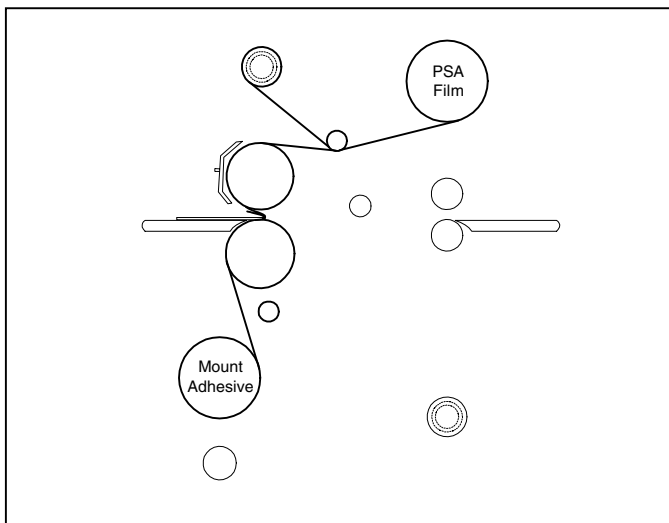


Fig. 27

WEBBING PSA FILM/ MOUNT ADHESIVE USING THREADING CARD

The laminator should be cool to the touch before proceeding.

1. Turn the **Power ON/OFF** to on (I).
2. Load the rolls of film as illustrated in Figure 25. Ensure no brake tension is applied to the film shafts.
3. Remove the safety shield and pivot the feed table down.
3. Pull the top roll of film down under the idler bar and up to the upper front rewind tube.
4. Place one piece of masking tape in the center of the film and secure to the rewind tube.
5. Make two full wraps around the rewind tube, then carefully score the laminate without cutting the release liner. Pull the laminate down allowing it to drape over the upper heat roller (Figure 25).
7. Pull the mount adhesive up towards the film draped over the upper heat roller (Figure 26).
8. Use a threading card to push the two materials through the heat roller nip.
9. Pivot the table back to it's feeding position while ensuring the threading card is on top of the feed table (Figure 27).
10. Replace the safety shield.
11. Use the main roller pressure handle to bring the main roller to initial contact with the threading card. Set speed to 3 or less.
12. Set speed to 3 or less. Ensure forward (▶) is selected and press the start (◊) button.
13. From the rear of the machine, guide the web over the chill idler, if installed, and through the pull rollers.
14. Once the web has entered the pull roller nip, use the pull roller pressure handle to close the pull roller nip.
15. Press the stop (⊘) button. Once the threading card has completely exited the pull rollers,.
16. Open the main roller nip.
17. Now refer to the section entitled **START LAMINATING**.

D

NL

F

E

--	--	--	--

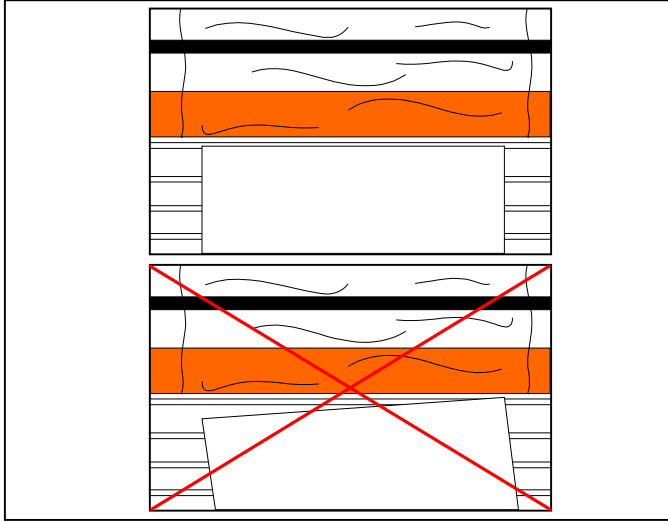


Fig. 28

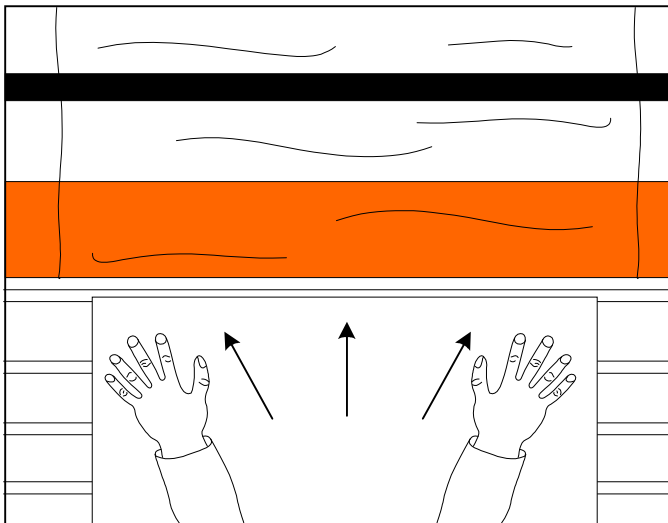


Fig. 29

START LAMINATING

1. At this point you should have your laminator webbed with the appropriate material for your application.
2. The safety shield and feed table should be in the normal operating position.
3. The main rollers should be open and the pull rollers should be closed.
4. Speed is set to 3 or less and forward (▶) motor direction is selected .
5. Press the start (◊) button.
6. Set main roller pressure between 40 - 50% for laminating.

CAUTION: If using PSA film, an air pocket may result between the main rollers and pull rollers. Raise the pull rollers to allow the air pocket to pass.

7. Make any necessary film brake tension, pull/ main roller pressure, clutch and/ or rewind brake tension adjustments. Refer to the section entitled **SPEED/ TEMPERATURE GUIDE**.
8. Position the item to be laminated on the feed table.
9. Align the leading edge of the item square to the heat roller nip (Figure 28).
10. With both hands and an outward force push the image slower than the speed of the rollers into the nip of the heat rollers (Figure 29).

CAUTION: Avoid forcing the image into the heat roller nip.

D

NL

F

E

--	--	--	--

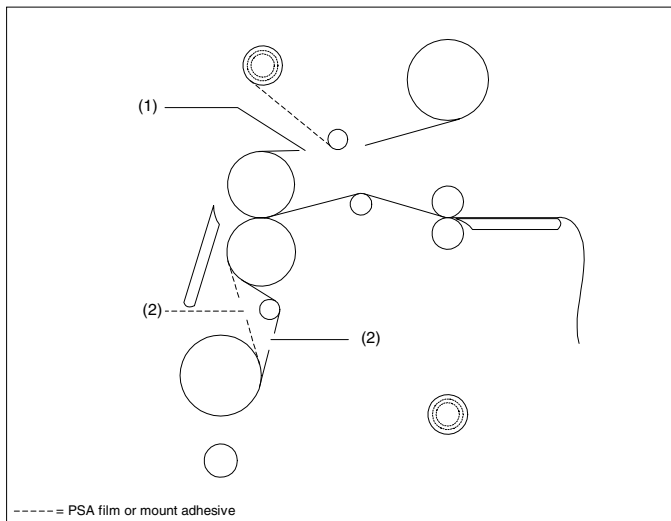


Fig. 30

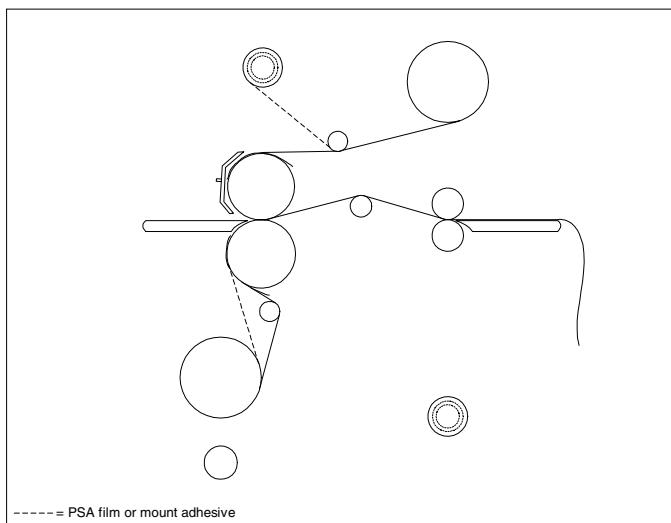


Fig. 31

METHOD FOR TACKING NEW FILM TO EXISTING FILM

The following describes a method for loading film whereby the existing film present on the heat rollers may be used in place of the threading card to draw the new film through the laminator. The adhesive of the existing film must be tacky or liquefied. Leading edges of the new film will be overlapped onto the tacky adhesive of the old film. The existing film and the new film will be pulled through the laminator together.

1. Cut (1) remaining top film web between the idler bar and heat roller. Cut (2) the film web between the lower film supply and the idler bar (Figure 30).

CAUTION: Be careful not to cut any of the rollers!

2. Remove the safety shield and tilt the feed table down.
3. Do not allow the adhesive side of the film to contact the heat or pull rollers. Liquefied or tacky adhesive deposited on heat rollers will require the rollers to be cleaned per the section entitled **CARING FOR THE FALCON 60+(-1) LAMINATOR**.
4. Replace both the top and bottom rolls of film with new rolls. Ensure the adhesive side is facing out.
5. Pull the film around the idler bars, with the exception of PSA mounting adhesives without a release liner.
6. Tack the new film to the existing film on the heat rollers. For PSA film, attach the release liner to the rewind tube (Figure 31).
7. Use the footswitch to advance the film into the heat roller nip.
8. Observe the film being pulled through the laminator to assure that the remaining existing film and the new film are advancing concurrently. Any separation between the films will require stopping the motor immediately and the situation corrected.
9. Press **STOP** (⏹) once the newly threaded film has completely exited the pull rollers.

D

NL

F

E

--	--	--	--

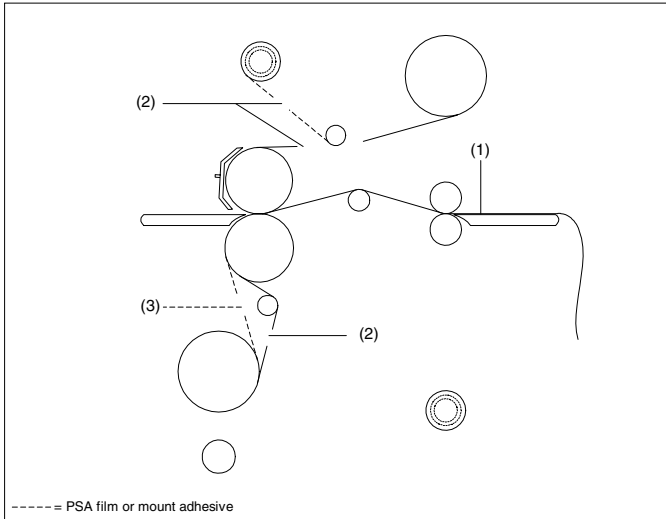


Fig. 32

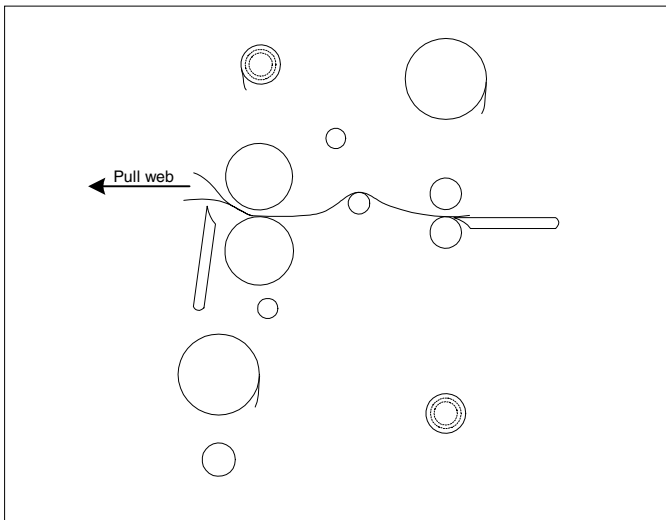


Fig. 33

TO UNWEB THE LAMINATOR

Unweb the laminator if you are changing film widths, cleaning the rollers or have finished using the machine for the day.

1. Using the rear slit, cut (1) the output from the web (Figure 32).
2. Cut (2) remaining top film web between the idler bar and heat roller. PSA film, cut the release liner too.
3. Cut (3) the film web between the lower film supply and the idler bar (Figure 32).

CAUTION: Be careful not to cut any of the rollers!

4. Remove the safety shield and tilt the feed table.
5. Gap the main rollers and pull rollers.
6. Carefully grab hold of the web (top and bottom film), from the front operating position and pull towards you (Figure 33).
7. Do not allow the adhesive side of the film to contact the heat or pull rollers.

CLEARING A FILM JAM (Wrap-up)

Film jams (wrap-ups) may occur if the film is loaded backwards or if the area at which film exits the equipment is blocked. The film, when jammed, wraps around the heat rollers during webbing if a threading card is not used or pull rollers during operation.

To clear a jam:

1. Immediately stop the laminator by pressing **STOP** (⏻).
2. Remove the safety shield and tilt the feed table.
3. Set motor direction to reverse.
4. Use the footswitch to reverse the web until the wrap up is clear.
5. Raise the main roller and pull rollers.
5. Manually guide the web from the main rollers and pull rollers.
6. Once the film jam has been cleared, lower the main roller and pull rollers.
7. Refer to the section titled **START LAMINATING**.

D

NL

F

E

--	--	--	--

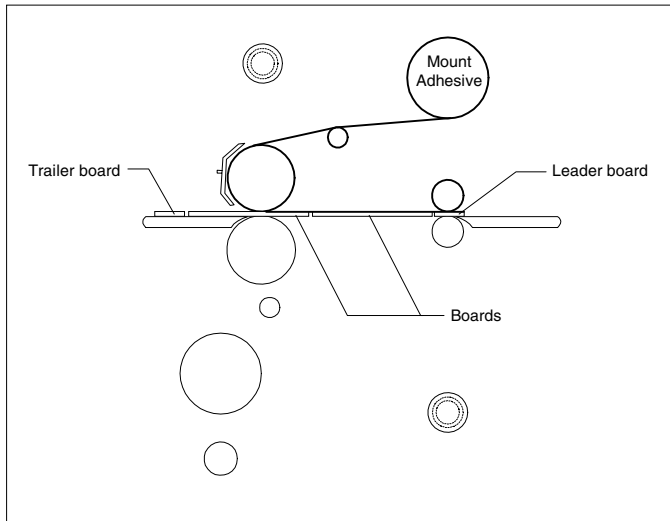


Fig. 34

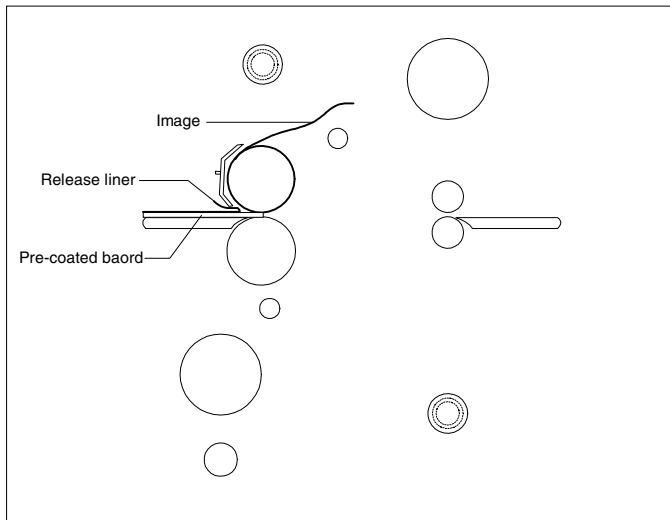


Fig. 35

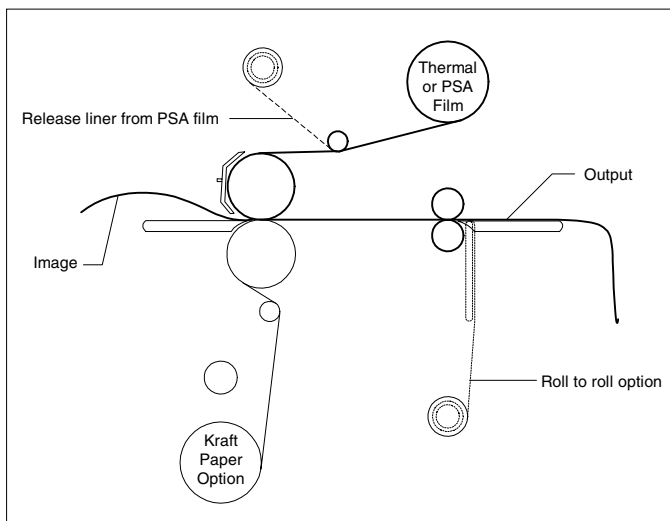


Fig. 36

APPLICATIONS

TIPS FOR PRE COATING BOARDS (Figure 34)

1. Load the laminator as illustrated in Figure 34. Remove chill idler.
2. The width of the roll should not exceed the width of the board by more than 1/2 in. (1.3 cm).
3. Use a leader board to set the main roller and pull roller pressure prior to webbing.
4. Use a leader board to start the run and a trailer board to finish the run.
5. Using the pull rollers will allow you to leave gaps between boards.
6. If not using the pull rollers, have the boards nearby to butt end to end during feeding.

TIPS FOR MOUNTING PRE-COATED BOARDS (Figure 35)

1. This application can also be performed from the rear operating position. Reference Figure 38 for illustration.
2. Use a leader board to set the main roller pressure prior to mounting the image.
3. Ensure the chill idler is removed and the rear slitter is to one side.
4. Heat, 125 °F (52 °C), may assist the process and increase output quality.
5. Do not stop once you have started the mounting process through the machine.

TIPS FOR SINGLE SIDED LAMINATION (Figure 36)

1. Load the laminator as illustrated in Figure 36.
2. Use kraft paper for one-sided lamination whenever the items to be laminated are narrower than the film you are using.
3. If not using kraft paper, use a scrap piece to finish the run or you will have adhesive on your rollers.
4. For high volume runs, use Kraft paper and the lower rear rewind for roll to roll operation.
5. Running the web over the chill idler may improve the flatness of the output.
6. A little heat, 125 °F (52 °C), may help eliminate silvering effects associated with PSA films.

D

NL

F

E

--	--	--	--

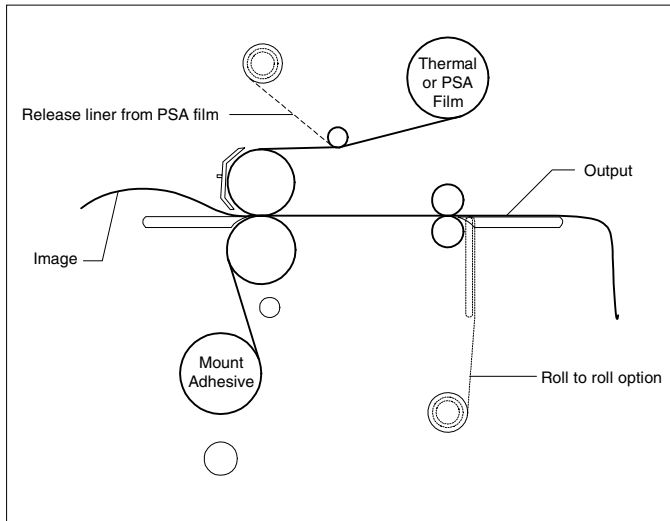


Fig. 37

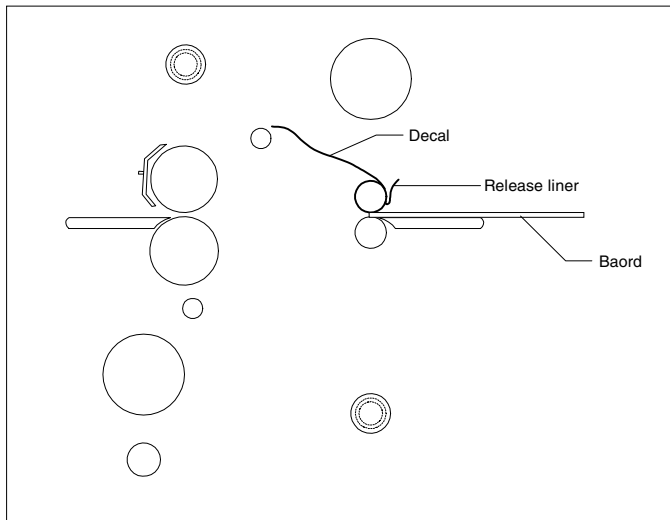


Fig. 38

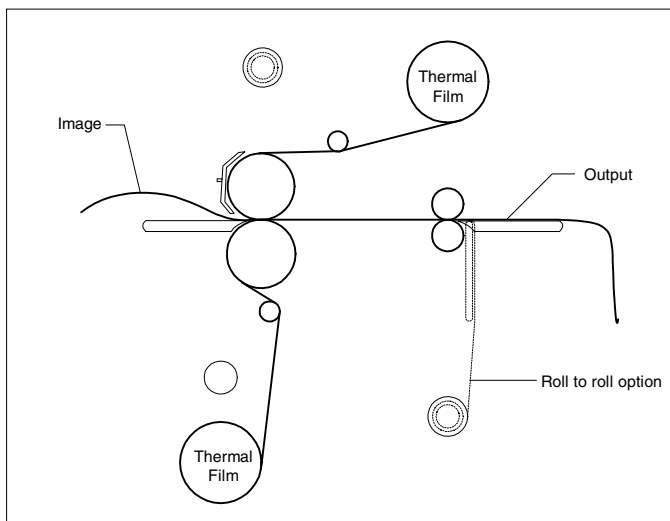


Fig. 39

TIPS FOR CREATING A DECAL (Figure 37)

1. Load the laminator as illustrated in Figure 37.
2. The over laminate may be PSA or thermal type.
3. If using thermal type, pay attention to the Poly-in/ Poly-out rule.
4. Run a test material prior to running the actual image to ensure flat output.
5. Use minimal brake tension to achieve quality output.
6. Do not web the PSA mount adhesive around the lower web idler.

TIPS FOR MOUNTING A DECAL (Figure 38)

1. This application can also be performed from the front operating position. Reference Figure 35 for illustration.
2. Use a leader board to set the pull roller pressure prior to mounting the image.
3. The image should not exceed the width of the board by more than 1 in. (2.54 cm) per side.
4. Tack about 1 in. (2.54 cm) of the leading edge of the decal to the leading edge of the board.
5. When tacking the leading edge, start in the center and work to the sides.
6. Use a board that exceeds the size of the decal if inexperienced in the mounting application.

TIPS FOR THERMAL ENCAPSULATION (Figure 39)

1. Load the laminator as illustrated in Figure 39. Poly-in film is used for illustration purpose.
2. Refer to section entitled **FILM LOADING & THREADING** for Poly-out film.
3. Always use two rolls of film the same width.
4. Use minimal brake tension to achieve flat output.
5. Increase speed gradually to maintain the activating temperature required for the laminate you are using.
6. Length and width of image, ink coverage and paper type may effect the temperature and speed recommended in the **SPEED/TEMPERATURE GUIDE**.

D

NL

F

E

--	--	--	--

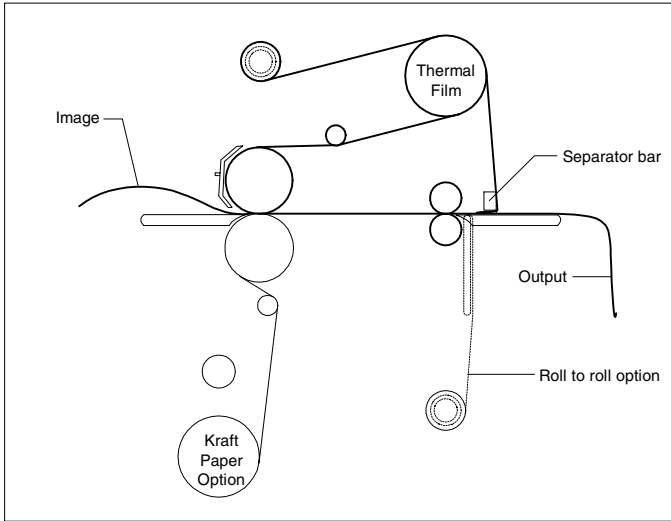


Fig. 40

TIPS FOR ACCUSHIELD (Figure 40)

1. Load the laminator as illustrated in Figure 40.
2. You must have the Separator bar option to accurately run this material.
3. Set Top Temp. to 265 °F (129 °C) and a speed setting no greater than 4.
4. Liner rewind tension will be greater than normal operating standards.
5. To prevent some adhesive adhering to the rollers, you may choose to use a roll of kraft paper for a carrier.

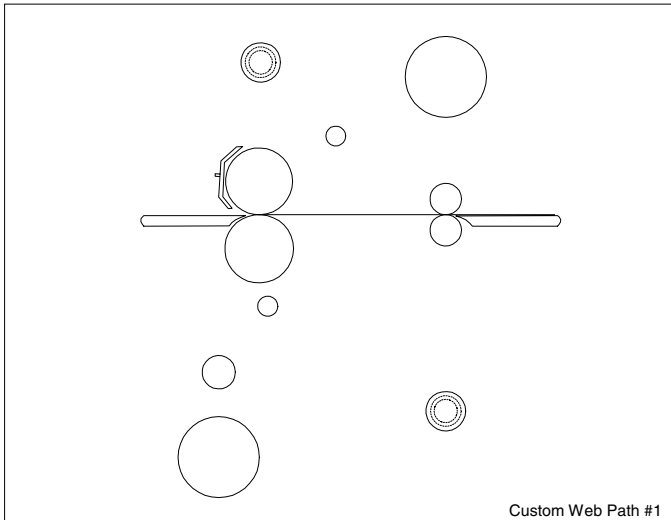


Fig. 41

Use the blank space below and blank diagrams to note your tips and web paths for your special applications.

TIPS FOR CUSTOM APPLICATION #1 (Figure 41)

- 1.
- 2.
- 3.
- 4.

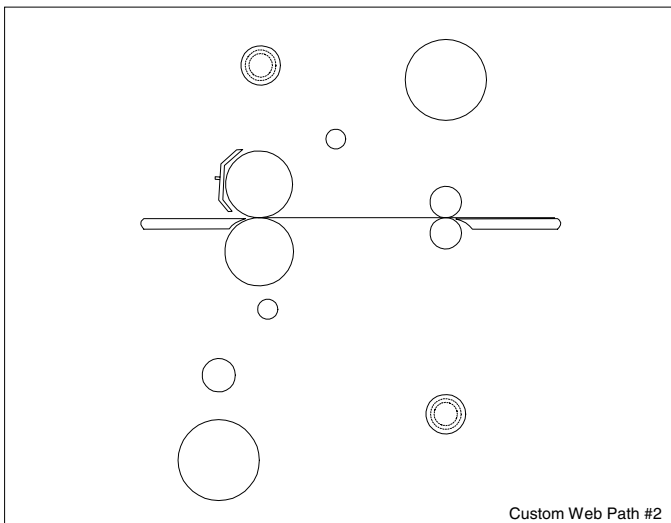


Fig. 42

TIPS FOR CUSTOM APPLICATION #2 (Figure 42)

- 1.
- 2.
- 3.
- 4.
- 5.

D

NL

F

E

--	--	--	--

SPEED/TEMPERATURE GUIDE

(Figure 43 & 44)

This is only a general reference guide.
Different settings may be suitable as the
warm up time, lamination time and
materials change.

Factors that may effect the speed and
temeprature parameters;

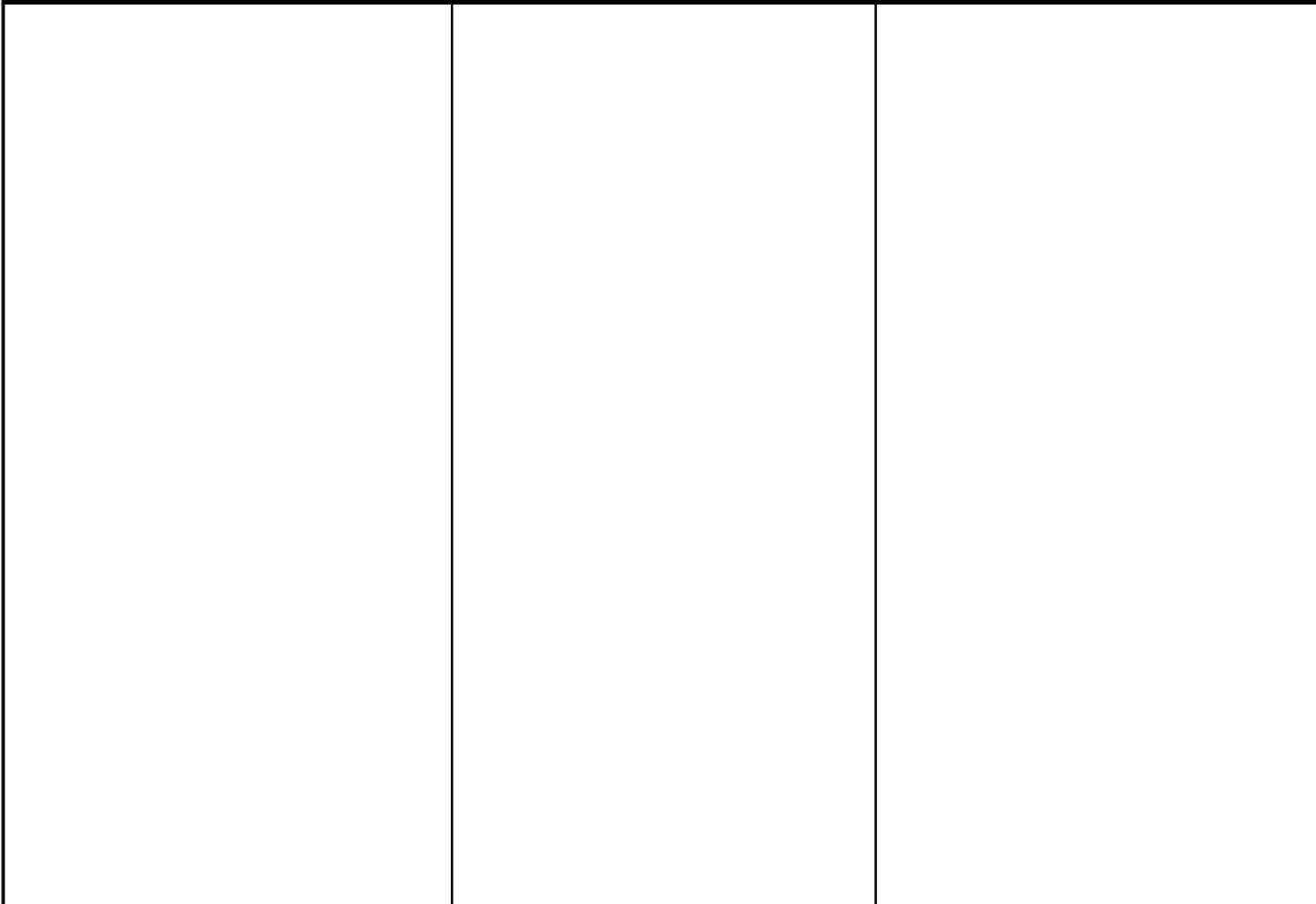
1. Image length
2. Image width
3. Ink coverage
4. Paper type
5. Laminate thickness
6. Operating enviroment
7. Condition of the rollers
8. Line voltage (effects heaters)
9. Using vacuum and/ or cooling features.

12/02 You may have to adjust temperature or
speed depending on stock finish, thickness and
ink coverage.

*Turn heat off when not in use.

Stock	Film Gauge	Nap-Lam II		Nap-Lam I		*Vinyl		Premium		Hi-Tac	
		Settings		Settings		Settings		Settings		Settings	
20#	mil	Temp (F)	Speed	Temp (F)	Speed	Temp (F)	Speed	Temp (F)	Speed	Temp (F)	Speed
Bond	1.5	248	8	290	7					255	8
	3	239	6	270	5			225	4		
	5	230	5	250	3	230	5	220	3		
	10	221	3					210	3		
80#	1.5	248	6	295	7					255	6
	3	239	5	275	5			230	4		
	5	230	3	250	2	230	3	225	3		
	10	221	2					215	3		
10 Pt.	1.5	248	5	300	6					255	4
	3	239	4	275	4			235	4		
	5	230	2	250	2	230	2	230	3		
	10	221	2					220	2		

Fig. 43



Stock	Film Gauge	Nap-Lam II		Nap-Lam I		*Vinyl		Premium		Hi-Tac	
		Settings		Settings		Settings		Settings		Settings	
		Temp (C)	Speed	Temp (C)	Speed	Temp (C)	Speed	Temp (C)	Speed	Temp (C)	Speed
20# Bond	mic										
	38	120	8	143	7					123	8
	75	115	6	132	5			107	4		
	125	110	5	121	3	110	5	104	3		
	250	105	3					99	3		
80# Bond	38	120	6	146	7					123	6
	75	115	5	135	5			110	4		
	125	110	3	121	2	110	3	107	3		
	250	105	2					107	3		
10 Pt. Board	38	120	5	149	6					123	4
	75	115	4	135	4			112	4		
	125	110	2	121	2	110	2	110	3		
	250	105	2					104	2		

Fig. 44

THE ART OF LAMINATION

BASIC RULES

Do not attempt to laminate abrasive or metal objects such as staples, paper clips and glitter, as they may damage the heat or pull rollers.

Do not force items into the nip area of the heat rollers. An item that is not easily drawn into the laminator by the heat rollers is probably too thick to laminate.

Wrinkles may result if an attempt is made to reposition an item once it has been grasped by the heat rollers.

Do not stop the laminator before an item has completely exited the pull rollers. Even a momentary stop will cause a mark (heat line) on the laminated item.

Good, consistent lamination is a result of combining proper heat, tension and dwell time. Dwell time is controlled by the speed of the motor and is defined as the amount of time the material to be laminated is compressed between the heat rollers.

As a general rule, thicker items and film need to run at slower speeds because they extract more heat from the rollers at a quicker rate. Setting the speed control at slower settings gives the laminator longer dwell time thus allowing proper lamination of thick items. Thinner items, such as standard copier paper (20 lb. bond) and tissue paper, extract less heat from the rollers and can be run at faster speeds.

FILM TENSION

Proper film tension, known as brake tension, is the minimum amount required to eliminate wrinkles in the finished item. The film should be taut. A properly adjusted roll of film should not require excessive force to turn by hand.

Film tension should be enough to introduce a minor amount of drag as the film unrolls. Insufficient tension causes wrinkles, while too much tension causes stretching (necking). Uneven tension between the top and bottom rolls create curl. Too much upper tension creates upward curl while too much bottom tension causes downward curl.

Adjustment of the pull roller clutch may be necessary if after adjusting unwind and rewind brake tensions do not improve your output quality.

--	--	--

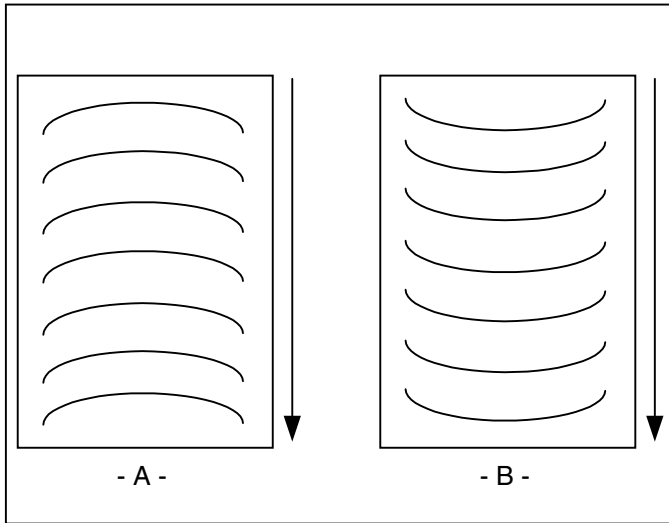


Fig. 45

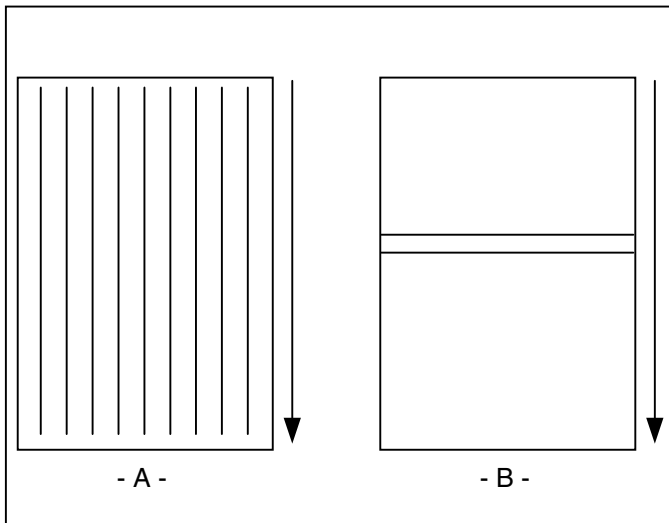


Fig. 46

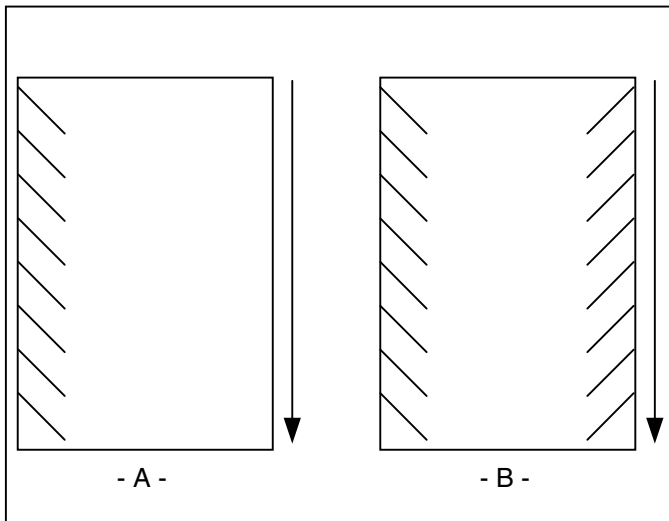


Fig. 47

HEAT

The "READY" indicator may extinguish if the speed is set too fast for the material being laminated. Either lower the speed setting or press **STOP** and wait until the "READY" indicator illuminates.

Operation of the laminator for more than thirty minutes at a time may necessitate a lower speed setting. It is recommended that, during periods of long runs, the items being laminated are alternated between thick and thin. **Do not combine thick and thin items at the same time, as this will result in a poor edge seal around the thinner material.** If you are unsure that the laminator is set at the proper speed for the item to be laminated, run a test piece (scrap) of the same or similar material through the laminator. This procedure is recommended because rotating the heat roller prior to lamination will more evenly distribute the heat. Make speed adjustments if necessary.

OUTPUT

1. "D" waves in the image (Figure 45 A).

- Check paper tension.
- Paper may be damp or not dry.

2. "D" waves in the laminate (Figure 45 B).

- Check main roller pressure.
- Check pull roller pressure.

3. Straight waves in output (Figure 46 A).

- Check operational settings for materials being used.
- Check clutch tension.

4. Indent waves in output after pull rollers (Figure 46 B).

- Insufficient cooling time.
- Output was handled prior to cooling.
- Use cooling feature if not on.
- Machine was stopped on print.

5. Angled waves in the output (Figure 47 A & B).

- Main air supply setting.
- Check main roller pressure.
- Check pull roller pressure.
- Check for even paper tension. (Figure 49 A only)

D

NL

F

E

--	--	--	--

MAINTENANCE

CARING FOR THE GBC FALCON 60+ (-1) LAMINATOR

GBC offers Cleaning kits as well as Extended Maintenance Agreements.

Contact your local GBC Service Representative or your dealer/distributor for additional information.

The only maintenance required by the operator is to periodically clean the heat rollers and schedule semi annual maintenance checks.

The following procedure will help keep the heat rollers free of adhesive that has been deposited along the edge of the laminating film. Proper alignment of the rolls of film reduces the amount of "squeeze out".



WARNING: Do not attempt to laminate adhesives marked "Flammable".

- Do not laminate glitter and/ or metallic items. Damage to the rollers may result.



WARNING: Do not apply any cleaning fluids or solvents to the rollers. Some solvents and fluids could ignite on heated rollers.

- Never clean rollers with sharp or pointed objects.
- Hardened adhesive deposits on the rollers can cause damage to the rollers. Rotate the rollers at the lowest speed setting on the control panel.



CAUTION: THE FOLLOWING PROCEDURE IS PERFORMED WHILE THE LAMINATOR IS HOT. USE EXTREME CAUTION.

1. Remove the film from the laminator following the procedure outlined in steps 1 through 6 of the section entitled **TO UNWEB THE LAMINATOR**.
2. Preheat the laminator until the "READY" indicator illuminates.
3. Remove the safety shield and tilt the feed table.
4. Rub the top and bottom heat rollers with a 3M™ Scotch-Brite™ pad . **DO NOT USE METAL SCOURING PADS!**
5. Use the footswitch to rotate the lower heat/ pull roller to an unclean portion. The upper heat/ pull roller are free spinning. Continue this process until the complete surface of both rollers are clean.
6. Refer to the beginning of the section entitled **OPERATING INSTRUCTIONS** to web your laminator.

***NOTE:** Do not use metal scouring pads to clean the rollers.

--	--	--

TROUBLE-SHOOTING GUIDE

SYMPTOM	POSSIBLE CAUSE	CORRECTIVE ACTION
<ul style="list-style-type: none"> The power indicator does not illuminate when POWER ON/OFF is in the ON, marked "I", position. 	Laminator not connected to electrical supply.	Insert attachment plug into receptacle.
<ul style="list-style-type: none"> Heat rollers do not turn when I press the RUN (◊) button. 	Safety shield is not properly installed. Safety shield interlock pin not in. E-STOP is engaged	Remove safety shield and properly replace it. Slide interlock lever all the way in. Pull out on the E-STOP push button.
<ul style="list-style-type: none"> Footswitch is not variable speed. 	Safety shield is not properly installed. Safety shield interlock pin not in.	Remove safety shield and properly replace it. Slide interlock lever all the way in.
<ul style="list-style-type: none"> Laminated items exhibit curling. 	Tension between the top and bottom film roll is unequal. Tension on top or bottom roll of film is too loose. Speed setting too slow. Bottom film roll may be improperly loaded. Chill idler not installed	Adjust tension per section FILM TENSION . Adjust tension per section FILM TENSION . Slightly speed up the laminator. Make sure bottom roll of film is webbed around idler bar. Install the chill idler.
<ul style="list-style-type: none"> Adhesive deposited on heat rollers. 	Top and bottom film webs not aligned. Laminator improperly loaded.	Release heat and pull roller pressure, align the rolls of film. Adhesive (matte) side of laminate film may be against the heat rollers. Unweb and reload the film properly.
<ul style="list-style-type: none"> Unsatisfactory adhesion of laminate. 	Speed setting too fast for type of material being laminated. Insufficient heat. Laminator improperly loaded. Heat rollers require cleaning. Laminated item unsuitable for adhesion.	Lower speed setting by pressing SLOW button to slower speed Wait for " READY " indicator to illuminate. Adhesive side of film must be facing away from the heat rollers. Bottom roll of film not threaded behind the idle bar. Clean heat rollers per procedure in section CARING FOR THE GBC ORCA 64 LAMINATOR . Item may be dirty or may have non-porous surface that is extremely difficult to laminate.
<ul style="list-style-type: none"> Waves in my output 	See sub section OUTPUT . Nips may be out of calibration.	Under section titled THE ART OF LAMINATION . Place a service call for calibration check.

SERVICE AGREEMENT

GBC's Equipment Maintenance Agreement will insure the quality performance and long life built into your laminator.

A service charge for travel time, labor and parts may be incurred for each out of warranty service call. GBC's Equipment Maintenance Agreement decreases these expenses and protects your valuable investment. GBC offers several types of agreements to suit your needs and budget. To contact GBC write to:

GBC NATIONAL SERVICE
 ONE GBC PLAZA
 NORTHBROOK, IL 60062 U.S.A.
 1.847.272.3700

IN CANADA:

GBC NATIONAL SERVICE
 49 RAILSIDE ROAD
 DON MILLS, ONTARIO
 M3A 1B3

Part Number 930-099 Revision -

This page intentionally left blank.



General Binding Corporation
One GBC Plaza
Northbrook, IL 60062-4195
